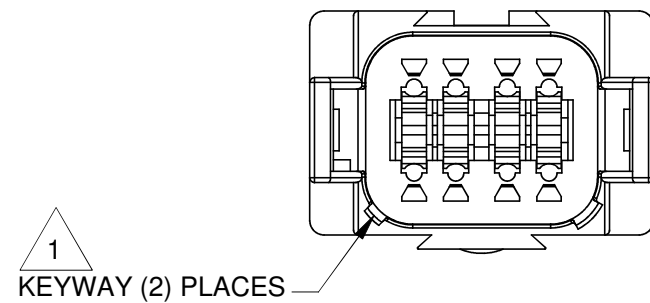
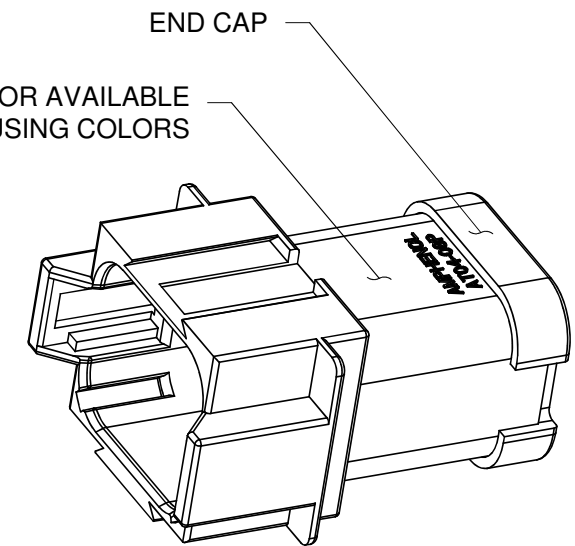
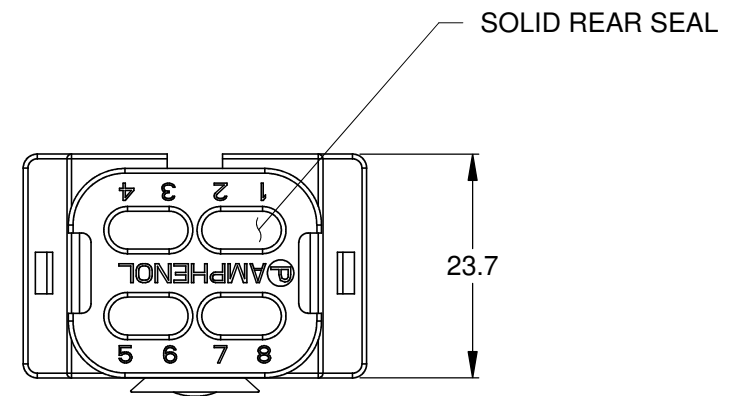
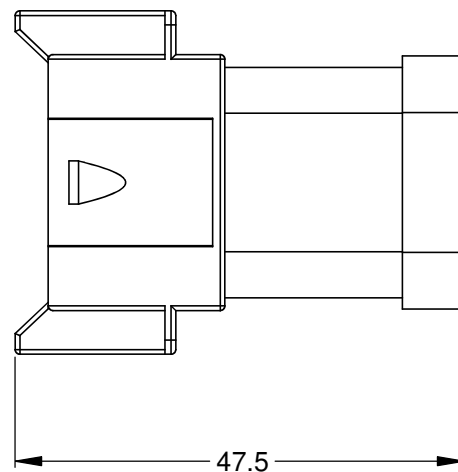
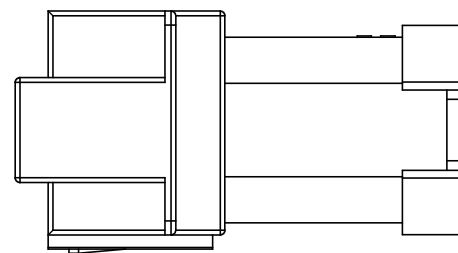
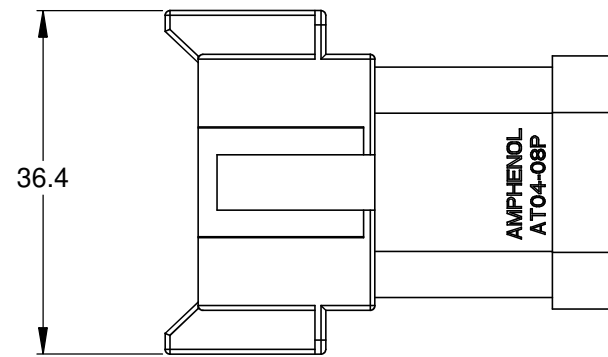


REVISIONS					
REV	ECO	DESCRIPTION	DATE	BY	APPR
A3	-	RELEASE NEW DRAWING FORMAT	03/JAN/14	ORION	-



NOTES: UNLESS OTHERWISE SPECIFIED

1 SEE SHEET 2 FOR KEY ARRANGEMENTS AND COLORS.

2. MATERIAL:
HOUSING: THERMOPLASTIC
SEAL: SILICONE RUBBER

3. MODIFICATIONS: SOLID REAR SEAL; END CAP

4. SPECIFICATIONS:
4.1 CURRENT RATING: 13 AMPS
4.2 OPERATING TEMPERATURE: -55°C TO +125°C
4.3 DIELECTRIC WITHSTANDING VOLTAGE: LESS THAN 2 MILLIAMPS CURRENT LEAKAGE @ 1500 VOLTS AC.
4.4 INSULATION RESISTANCE: 1000 MEGOHMS MIN @ 25°C.
4.5 MOISTURE RESISTANCE: IP67 (MATED CONDITION)
4.6 MATING CYCLE DURABILITY: 100 CYCLES
4.7 RoHS COMPLIANT

5. MATING PART: AT06-08SX* PLUG
(X = A,B,C,D KEYS; * = MODIFICATIONS AND COLORS)

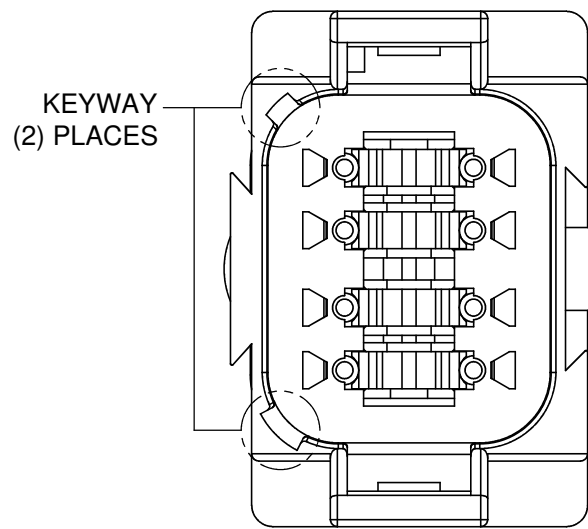
6. ALL DIMENSIONS ARE FOR REFERENCE USE ONLY.

TITLE: RECEPTACLE 8 PIN, AT, KEYED, SOLID REAR SEAL, END CAP
DWG NO: AT04-08PX-SSXXX
REV: A3
SH: 1
OF: 2

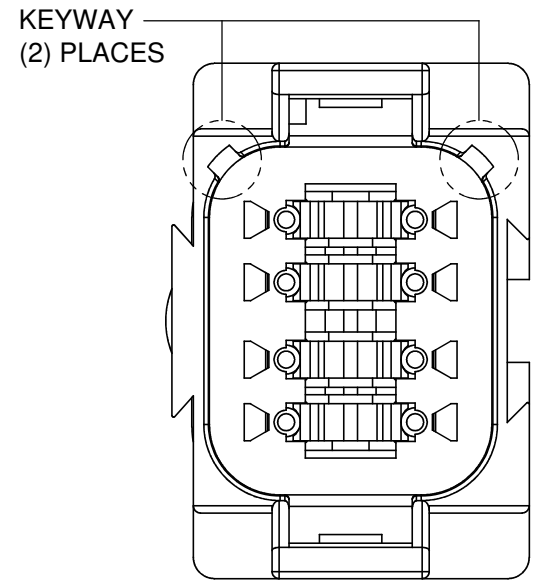
QUANTITY	SEE SHEET 2 PART NUMBER	DESCRIPTION	ITEM														
MATERIALS LIST																	
UNLESS OTHERWISE SPECIFIED 1) All dimensions are in metric (mm). 2) Tolerances are as follows: 1 PL DEC ±0.30 2 PL DEC ±0.15 3 PL DEC ±0.08 Fractions ±1/64 Angles ±1° 3) Note reference =		<table border="1"> <tr> <th>SIGNATURES</th> <th>DATE</th> </tr> <tr> <td>DRAWN: ORION.LI</td> <td>03/JAN/14</td> </tr> <tr> <td>CHECKED:</td> <td></td> </tr> <tr> <td>ENGINEER:</td> <td></td> </tr> <tr> <td>APPROVAL:</td> <td></td> </tr> </table>		SIGNATURES	DATE	DRAWN: ORION.LI	03/JAN/14	CHECKED:		ENGINEER:		APPROVAL:					
SIGNATURES	DATE																
DRAWN: ORION.LI	03/JAN/14																
CHECKED:																	
ENGINEER:																	
APPROVAL:																	
MATERIAL SPECIFICATIONS:		<p style="text-align: center;">Amphenol</p> <p style="text-align: center;">Sine Systems - www.amphenol-sine.com 44724 Morley Drive Clinton Township, MI 48036</p>															
PROCESS SPECIFICATIONS:		<p style="text-align: center;">RECEPTACLE, 8 PIN, AT SERIES, KEYED, SOLID REAR SEAL, END CAP</p>															
NEXT ASSY:		<table border="1"> <tr> <td>SIZE</td> <td>TYPE</td> <td>DWG NO:</td> <td>REVISION</td> </tr> <tr> <td>B</td> <td>C-</td> <td>AT04-08PX-SSXXX</td> <td>A3</td> </tr> </table>	SIZE	TYPE	DWG NO:	REVISION	B	C-	AT04-08PX-SSXXX	A3	<table border="1"> <tr> <td>SCALE:</td> <td>SHEET</td> <td>OF</td> </tr> <tr> <td>NONE</td> <td>1</td> <td>2</td> </tr> </table>	SCALE:	SHEET	OF	NONE	1	2
SIZE	TYPE	DWG NO:	REVISION														
B	C-	AT04-08PX-SSXXX	A3														
SCALE:	SHEET	OF															
NONE	1	2															

REVISIONS					
REV	ECO	DESCRIPTION	DATE	BY	APPR

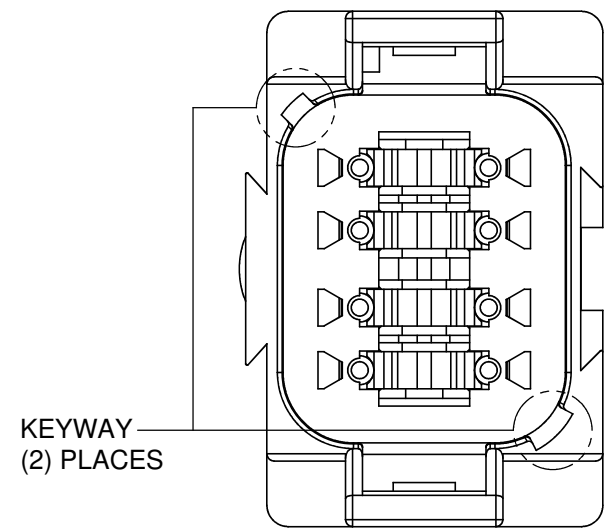
P/N AT04-08PA-SS01
KEY-A CONFIGURATION
STANDARD COLOR: GREY



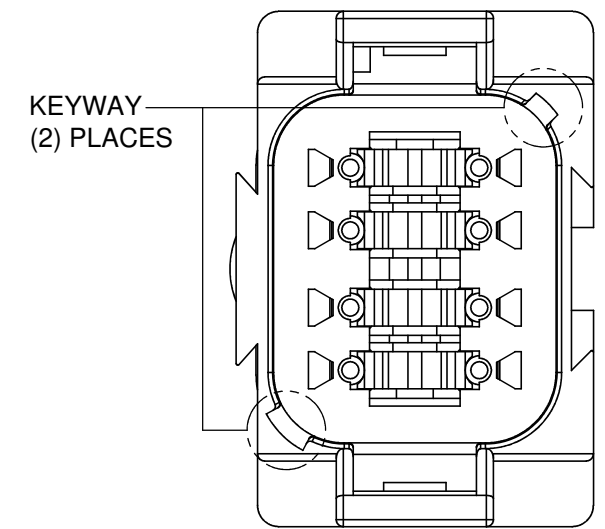
P/N AT04-08PB-SS01
KEY-B CONFIGURATION
STANDARD COLOR: BLACK



P/N AT04-08PC-SS01
KEY-C CONFIGURATION
STANDARD COLOR: GREEN



P/N AT04-08PD-SS01
KEY-D CONFIGURATION
STANDARD COLOR: BROWN



KEY-A CONFIGURATION	
COLOR	PART NUMBER
* GREY	AT04-08PA-SS01
BLACK	AT04-08PA-SSBLK
GREEN	AT04-08PA-SSGRN
BROWN	AT04-08PA-SSBRN

KEY-B CONFIGURATION	
COLOR	PART NUMBER
GREY	AT04-08PB-SSGRY
* BLACK	AT04-08PB-SS01
GREEN	AT04-08PB-SSGRN
BROWN	AT04-08PB-SSBRN

KEY-C CONFIGURATION	
COLOR	PART NUMBER
GREY	AT04-08PC-SSGRY
BLACK	AT04-08PC-SSBLK
* GREEN	AT04-08PC-SS01
BROWN	AT04-08PC-SSBRN

KEY-D CONFIGURATION	
COLOR	PART NUMBER
GREY	AT04-08PD-SSGRY
BLACK	AT04-08PD-SSBLK
GREEN	AT04-08PD-SSGRN
* BROWN	AT04-08PD-SS01

NOTE:

AN ASTERISKS (*) PLACED BEFORE THE COLOR DENOTES THE STANDARD MOLDED COLOR OF THE CONNECTORS SHOWN ABOVE.

OTHER COLORS SHOWN ARE AVAILABLE VIA SPECIAL ORDER.

TITLE: RECEPTACLE 8 PIN, AT, KEYED, SOLID REAR SEAL, END CAP
DWG NO: AT04-08PX-SSXXX
REV: A3
SH: 2
OF: 2

QUANTITY	PART NUMBER	DESCRIPTION	ITEM										
MATERIALS LIST													
UNLESS OTHERWISE SPECIFIED 1) All dimensions are in metric (mm). 2) Tolerances are as follows: 1 PL DEC ±0.30 2 PL DEC ±0.15 3 PL DEC ±0.08 Fractions ±1/64 Angles ±1° 3) Note reference =		<table border="1"> <tr> <th>SIGNATURES</th> <th>DATE</th> </tr> <tr> <td>DRAWN: ORION.LI</td> <td>03/JAN/14</td> </tr> <tr> <td>CHECKED:</td> <td></td> </tr> <tr> <td>ENGINEER:</td> <td></td> </tr> <tr> <td>APPROVAL:</td> <td></td> </tr> </table>		SIGNATURES	DATE	DRAWN: ORION.LI	03/JAN/14	CHECKED:		ENGINEER:		APPROVAL:	
SIGNATURES	DATE												
DRAWN: ORION.LI	03/JAN/14												
CHECKED:													
ENGINEER:													
APPROVAL:													
MATERIAL SPECIFICATIONS:		<p style="text-align: center;">Amphenol</p> <p style="text-align: center;">Sine Systems - www.amphenol-sine.com 44724 Morley Drive Clinton Township, MI 48036</p>											
PROCESS SPECIFICATIONS:		<p style="text-align: center;">RECEPTACLE, 8 PIN, AT SERIES, KEYED, SOLID REAR SEAL, END CAP</p>											
NEXT ASSY:		<table border="1"> <tr> <td>SIZE: B C-</td> <td>DWG NO: AT04-08PX-SSXXX</td> <td>REVISION: A3</td> </tr> <tr> <td>SCALE: NONE</td> <td colspan="2">SHEET 2 OF 2</td> </tr> </table>		SIZE: B C-	DWG NO: AT04-08PX-SSXXX	REVISION: A3	SCALE: NONE	SHEET 2 OF 2					
SIZE: B C-	DWG NO: AT04-08PX-SSXXX	REVISION: A3											
SCALE: NONE	SHEET 2 OF 2												