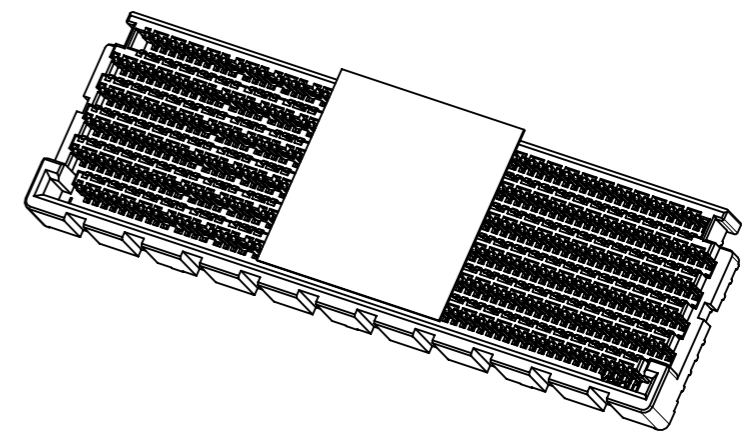
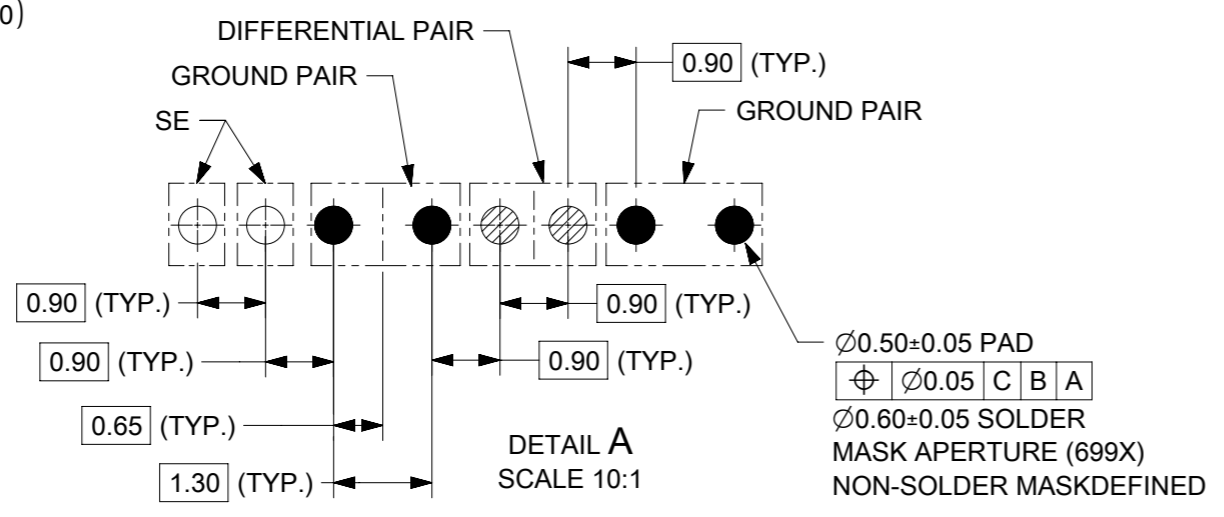
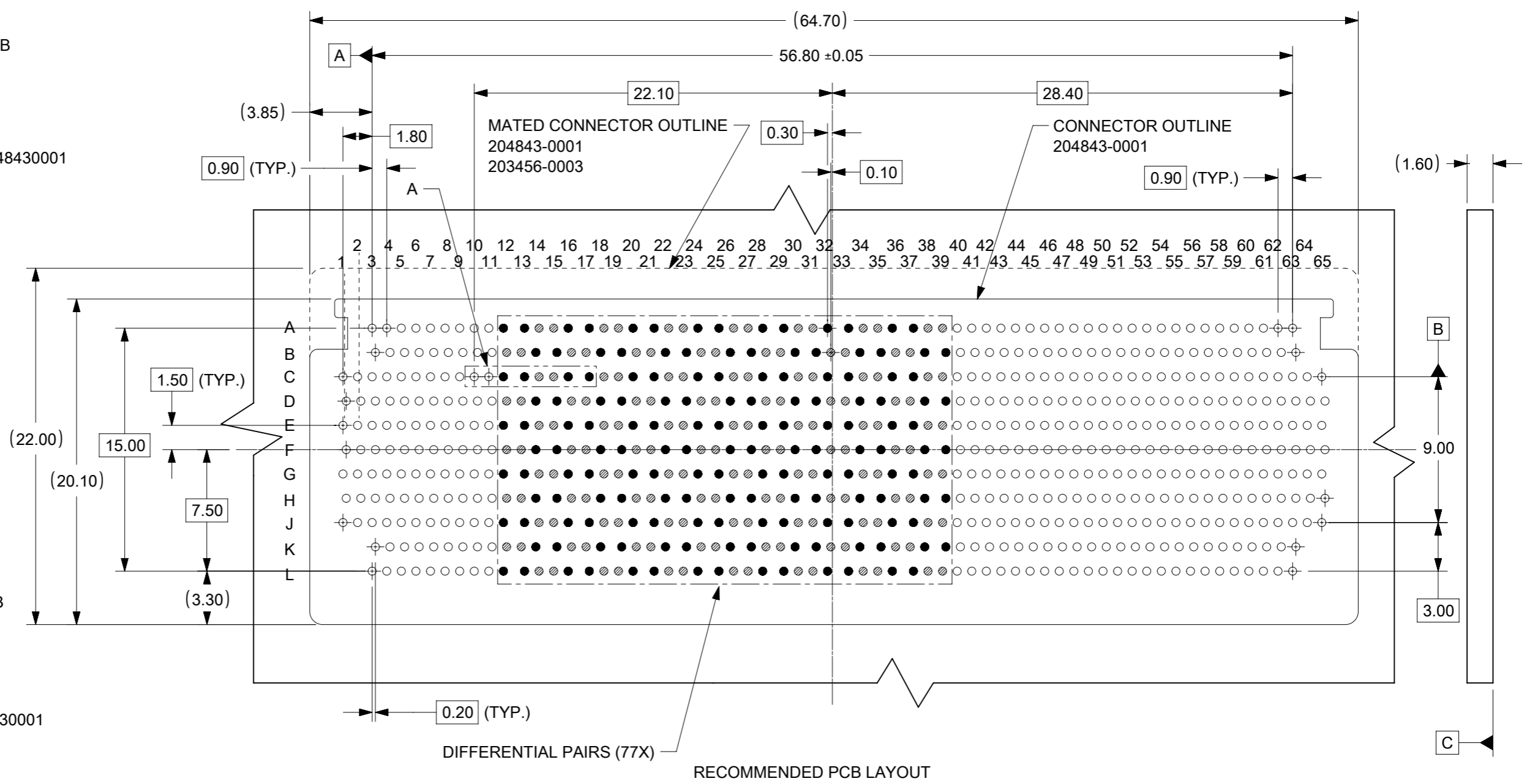
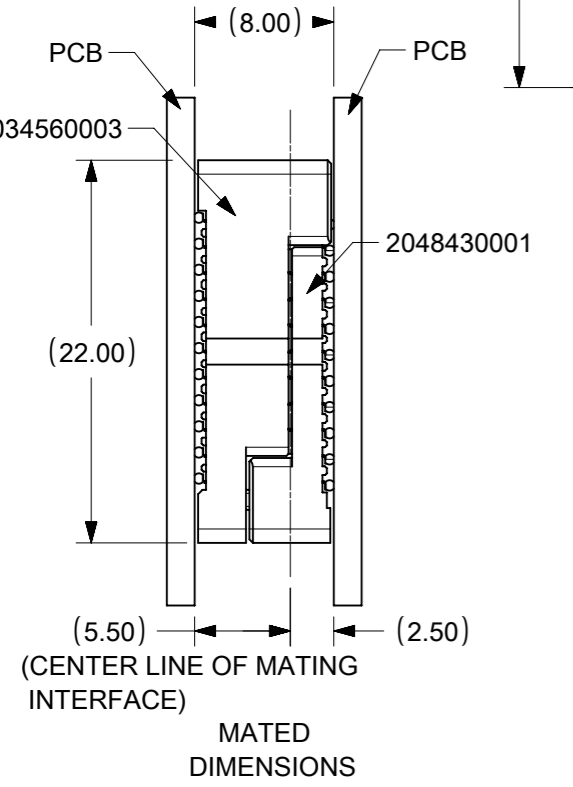
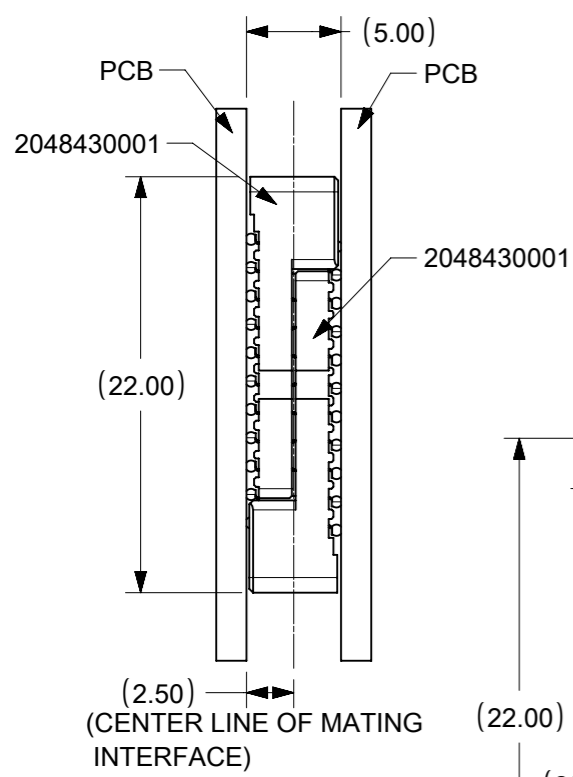


- NOTES:
- MATERIALS:
HOUSING - BLACK COLOR
HIGH TEMPERATURE THERMOPLASTIC, UL94V-0,
HALOGEN FREE.
TERMINALS - HIGH PERFORMANCE COPPER ALLOY.
SOLDER BALL - LEAD FREE SAC SOLDER ALLOY.
 - FINISH: 30μ" GOLD ON ALL CONTACT AREA.
50μ" MIN. NICKEL OVERALL.
 - PRODUCT SPECIFICATION: 2028280001 PS 000.
 - PACKAGING SPECIFICATION: 2048438300 PDD 000.
 - SEE SHEET 2 FOR PCB LAYOUT.
 - PRODUCT COMPLIANT TO RoHS DIRECTIVE 2011/65/EU AND
ELV 2000/53/EC.
 - MOLEX LOGO & DATE CODE LOCATED APPROXIMATELY AS SHOWN.



THIS DRAWING CONTAINS INFORMATION THAT IS PROPRIETARY TO MOLEX ELECTRONIC TECHNOLOGIES, LLC AND SHOULD NOT BE USED WITHOUT WRITTEN PERMISSION									
DIMENSION UNITS mm		SCALE NTS		CURRENT REV DESC: REVISED.				molex	
GENERAL TOLERANCES (UNLESS SPECIFIED)		ANGULAR TOL ± °		EC NO: 664217					
4 PLACES ±		3 PLACES ±		DRWN: HCGOH		2020/01/30		MIRROR MEZZ, 2.5MM HEIGHT, 7PX11R	
2 PLACES ± 0.2		1 PLACE ±		CHK'D: NZENG		2021/05/19		PRODUCT CUSTOMER DRAWING	
0 PLACES ±		INITIAL REVISION:		APPR: SHONG		2021/05/19		DOCUMENT NUMBER	
DRAFT WHERE APPLICABLE MUST REMAIN WITHIN DIMENSIONS		THIRD ANGLE PROJECTION		DRAWING		SERIES		MATERIAL NUMBER	
		A3-SIZE		204843		2048430001		CUSTOMER	
								REVISION	
								PSD 000 A4	
								SHEET NUMBER	
								1 OF 2	



THIS DRAWING CONTAINS INFORMATION THAT IS PROPRIETARY TO MOLEX ELECTRONIC TECHNOLOGIES, LLC AND SHOULD NOT BE USED WITHOUT WRITTEN PERMISSION		CURRENT REV DESC: REVISED.		molex	
DIMENSION UNITS	SCALE				
mm	NTS				
GENERAL TOLERANCES (UNLESS SPECIFIED)		EC NO: 664217		DOCUMENT NUMBER	
ANGULAR TOL ± °		DRWN: HCGOH 2020/01/30		2048430001	
4 PLACES ±		CHK'D: NZENG 2021/05/19		DOC TYPE DOC PART REVISION	
3 PLACES ±		APPR: SHONG 2021/05/19		PSD 000 A4	
2 PLACES ± 0.2		INITIAL REVISION:			
1 PLACE ±		DRWN: HCGOH 2017/06/22			
0 PLACES ±		APPR: SHONG 2017/09/15			
DRAFT WHERE APPLICABLE MUST REMAIN WITHIN DIMENSIONS		THIRD ANGLE PROJECTION	DRAWING	SERIES	MATERIAL NUMBER
			A3-SIZE	204843	2048430001
				CUSTOMER	SHEET NUMBER
				GENERAL MARKET	2 OF 2