

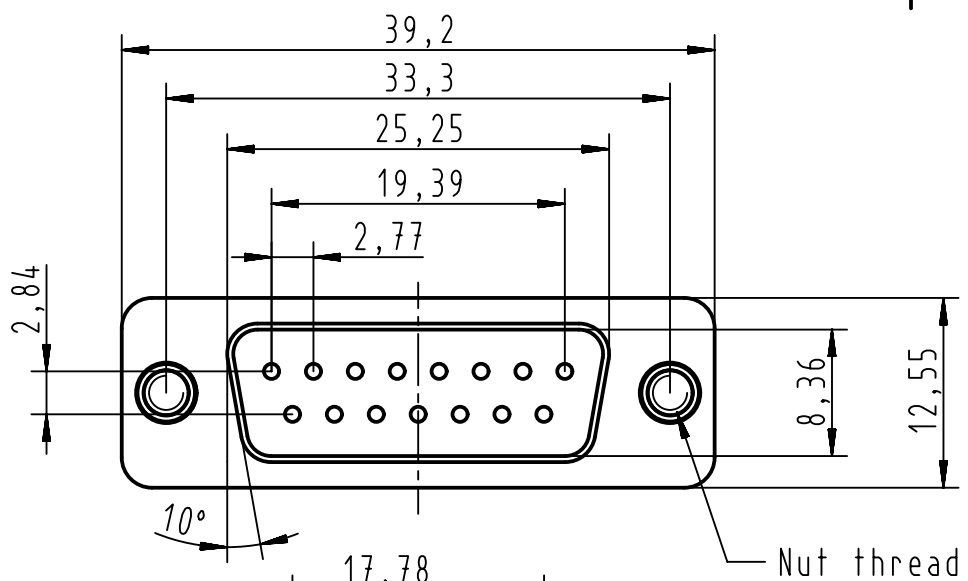
1 2 3 4 5 6

A

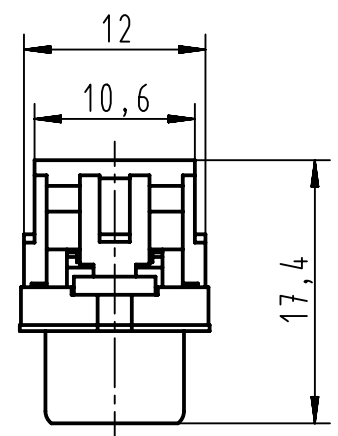
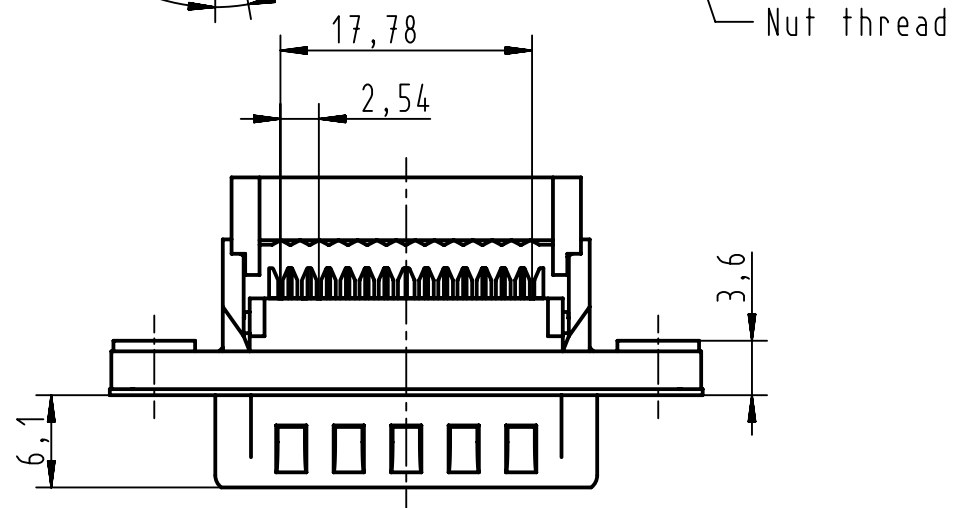
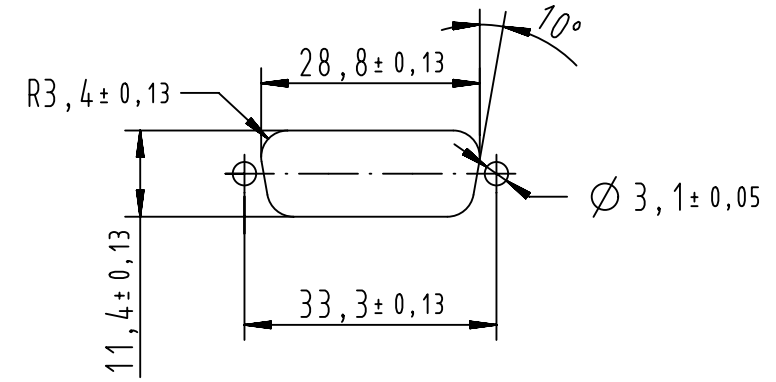
B

C

D



Recommended panel cutout dimensions  
for rear mounting  
According to CECC 75 301-802



After closing cover

09662287702	PL3	4-40UNC
09662286702	PL2	4-40UNC
09662287701	PL3	M3
09662286701	PL2	M3
Part number	Performance level	Nut thread

	All Dimensions in mm Original Size DIN A4		Scale 2:1	Free size tol.		Ref.	
	All rights reserved Department EC PD - FR		Created by DOUGE	Inspected by BAGDIKIAN	Standardisation HOFFMANN	Date 2013-04-23	State Final Release
HARTING Electronics GmbH D-32339 Espelkamp			Title D-Sub IDC 15P male straight			Doc-Key / ECM-Nr. 100527192/UGD/001/A 5300000858839	
			Type TB	Number 0966228X70X		Rev. A	Page 1/1