

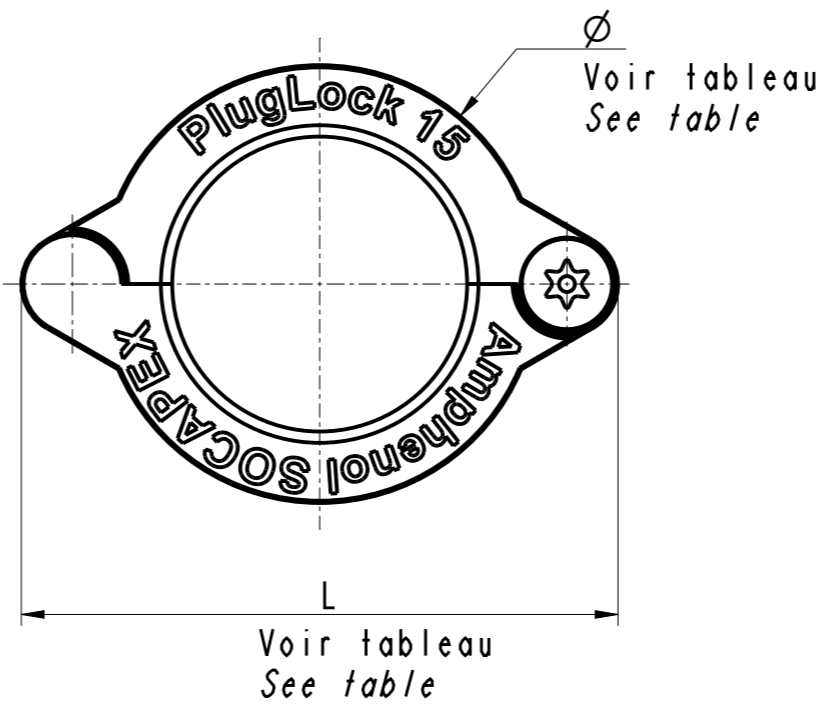
Outils à commander séparément.
Tools to be ordered separately.



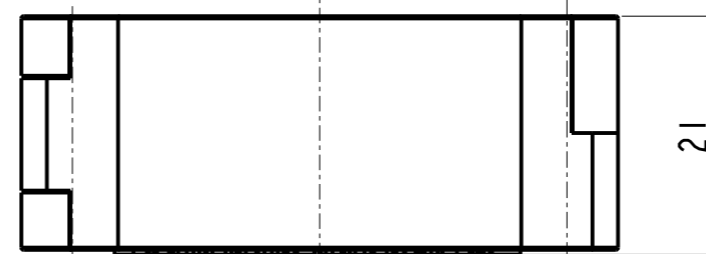
Clé de verrouillage réf: 30712.
locking tool P/N: 30712.



Embout de verrouillage réf: 30711.
locking tool P/N: 30711.

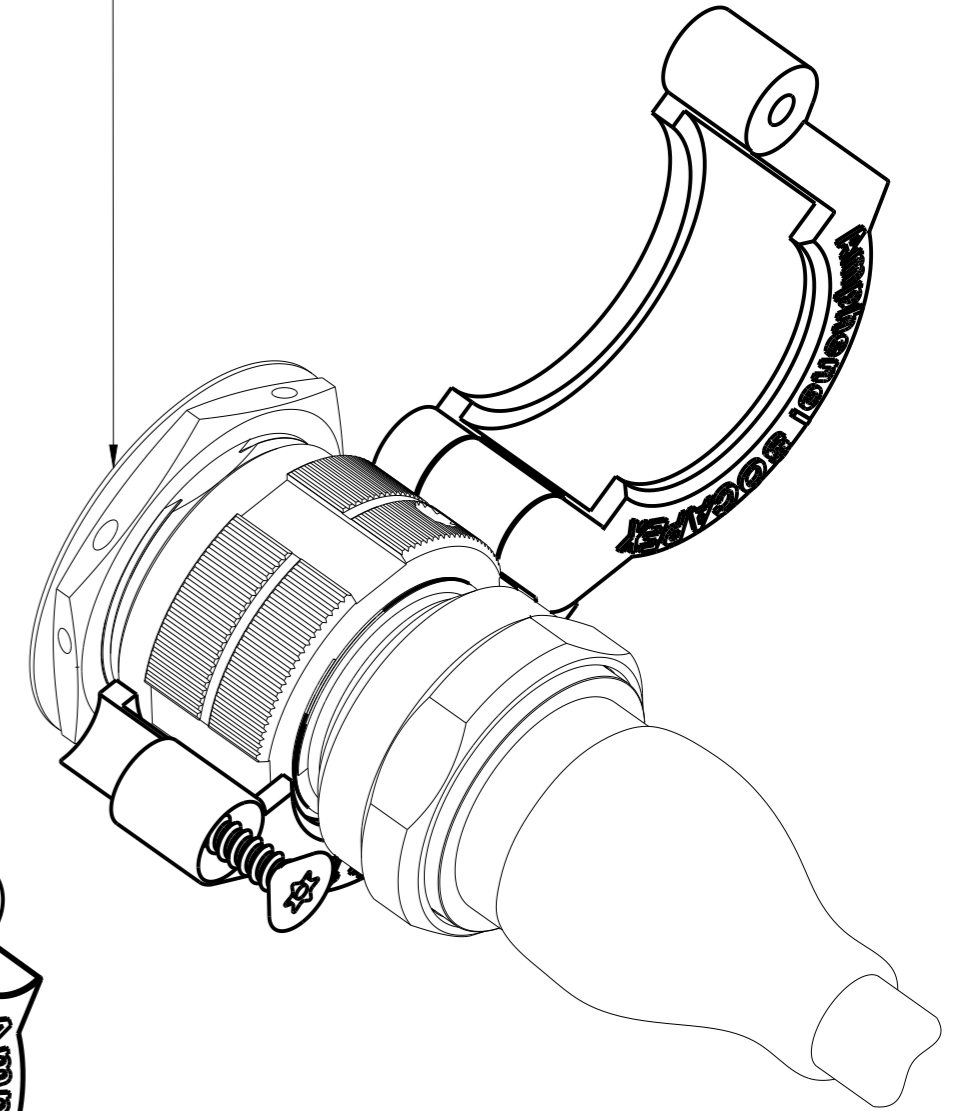


Voir tableau
See table



21

Embase et fiche connectées
type MIL-DTL-38999 série III
Mated receptacle and plug
type MIL-DTL-38999 serie III



Fermé
Closed

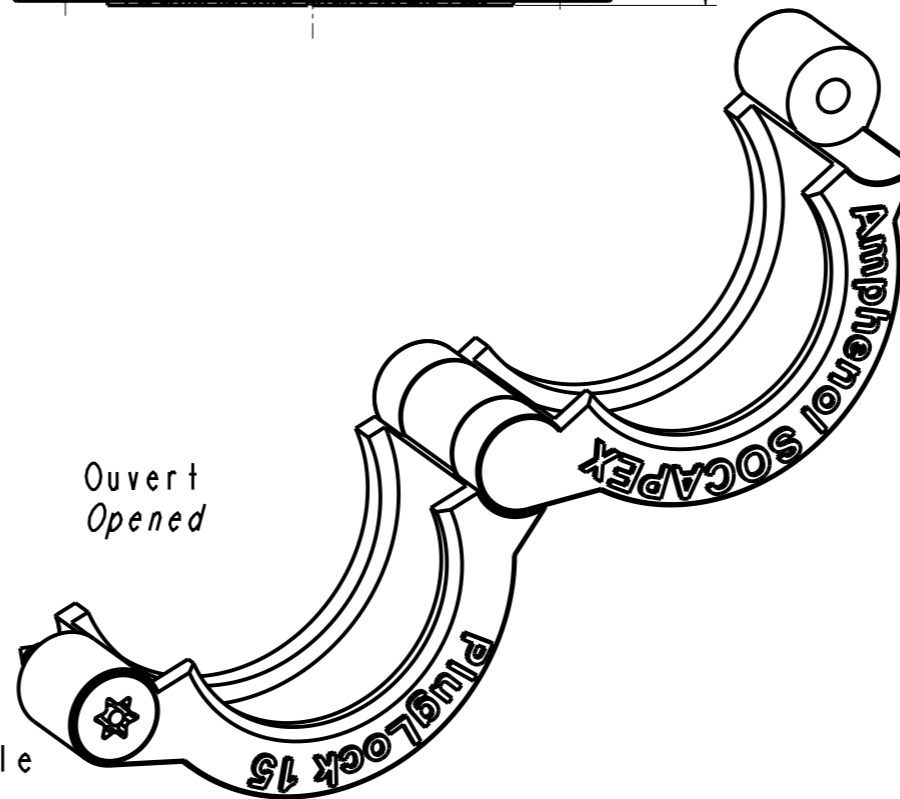
Taille (voir tableau)
Size (see table)

Vis torx inclu
Torx screw included

PlugLock 15 TX

Bouchon plastique de cybersécurité verrouillable
pour fiches et embases connectées
type MIL-DTL-38999 série III.

Lockable plastic cybersecurity cap for
type MIL-DTL-38999 serie III
mated plugs and receptacles.



Ouvert
Opened

Shell size	Ø ±0.2/[0.008]	L ±0.2/[0.008]
T09	28.3 / [1.102]	42.3 / [1.653]
T11	31 / [1.220]	45 / [1.771]
T13	35.4 / [1.377]	49.4 / [1.929]
T15	38.6 / [1.496]	52.6 / [2.047]
T17	42.1 / [1.653]	56.1 / [2.204]
T19	44.8 / [1.732]	58.8 / [2.283]
T21	48 / [1.889]	62 / [2.440]
T23	51 / [2.007]	65 / [2.559]
T25	54.2 / [2.125]	68.2 / [2.677]

APPROVAL FOR MANUFACTURING Add missing specifications on the drawing if necessary (specific labellings, tolerances,...)		DRAWN BY: G TURPIN	UPDATED BY: L WALASZEK	LAST APPROVED BY: M RINSANT	
CUSTOMER :	ALL DIMENSIONS ARE IN MM	AMPHENOL SOCAPEX		ORIGINAL DRAWING DATE : 17/02/22	CONFIGURATION DATA ARE AVAILABLE IN PDM
PROGRAM :	SCALE : 1,5			REV : B	PAGE : 1/1
CUSTOMER SIGNATURE	Name : _____ Date : _____	B.P. 29 74311 THYEZ CEDEX		191-PLC-1074-00	

IN THE CONSTANT PURPOSE OF IMPROVING ITS PRODUCTS, Amphenol Socapex RESERVES THE RIGHT TO MODIFY ANY DIMENSION OR CHARACTERISTICS. FM.NPD.0076.THYEZ.PUNE rev A