

THIS DRAWING IS UNPUBLISHED.

RELEASED FOR PUBLICATION

20

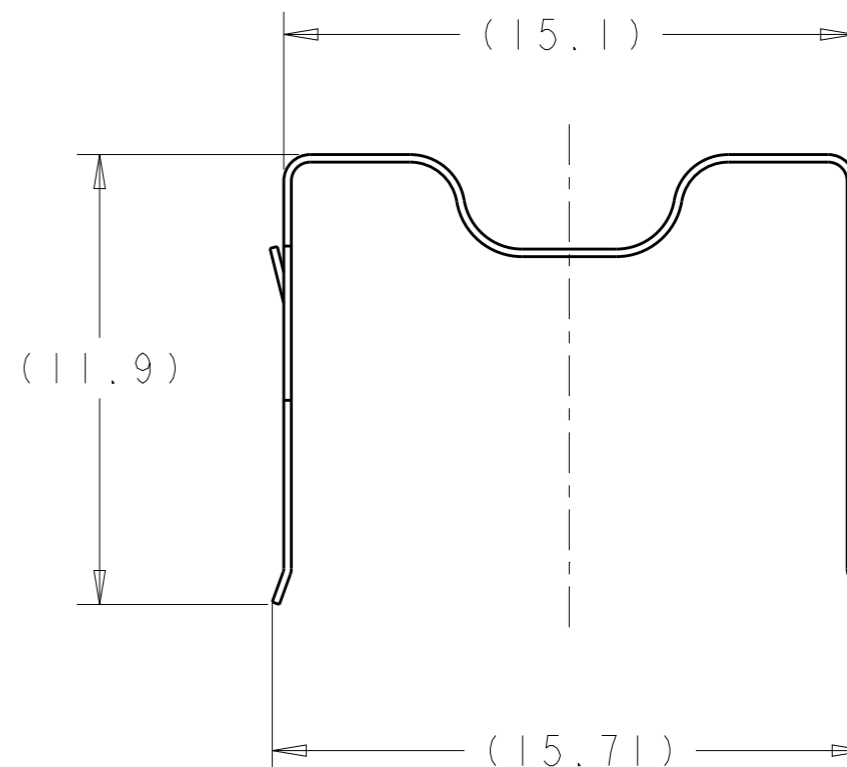
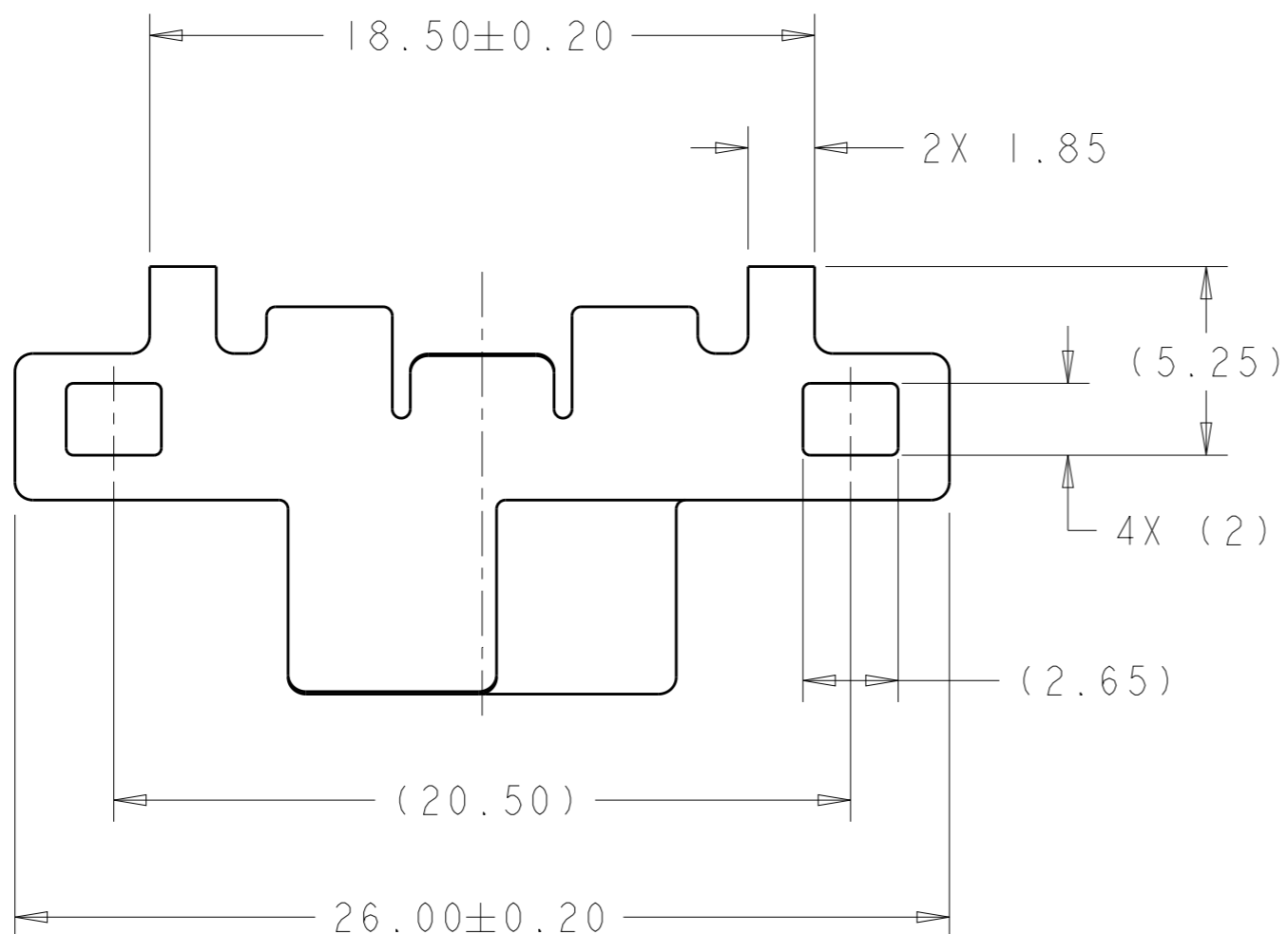
© COPYRIGHT 20 BY -

ALL RIGHTS RESERVED.

LOC GP DIST 00

REVISIONS

P	LTR	DESCRIPTION	DATE	DWN	APVD
	C	REVISED PER ECO-12-009760	14MAY2012	JJ	AC
	C1	REVISED PER ECO-14-000741	16JAN2014	PP	SH
	C2	REVISED PER ECO-15-001048	22JAN2015	PP	SH
	C3	REVISED PER ECO-19-009461	20JUN2019	IT	SH

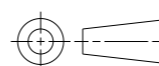


SUPERSEDED BY:
1367646-4

TRAY	1367646-4
BAG	1367646-4
PACKAGE	PART NUMBER

THIS DRAWING IS A CONTROLLED DOCUMENT.

DIMENSIONS:
mm



TOLERANCES UNLESS OTHERWISE SPECIFIED:

0 PLC	±-
1 PLC	±-
2 PLC	±0.10
3 PLC	±-
4 PLC	±-
ANGLES	±-

MATERIAL
STAINLESS
STEEL

FINISH
-

DWN P. KERLIN 11MAY2006

CHK E. BRIGHT 11MAY2006

APVD E. BRIGHT 11MAY2006

PRODUCT SPEC

-

APPLICATION SPEC

114-13178

WEIGHT

-

Customer Drawing

NAME

HEAT SINK CLIP,
DWDM SFP

SIZE CAGE CODE DRAWING NO RESTRICTED TO

A3 00779 C-1367646 -

SCALE 5:1 SHEET 1 OF 3 REV C3



4

3

2

1

THIS DRAWING IS UNPUBLISHED.

RELEASED FOR PUBLICATION

20

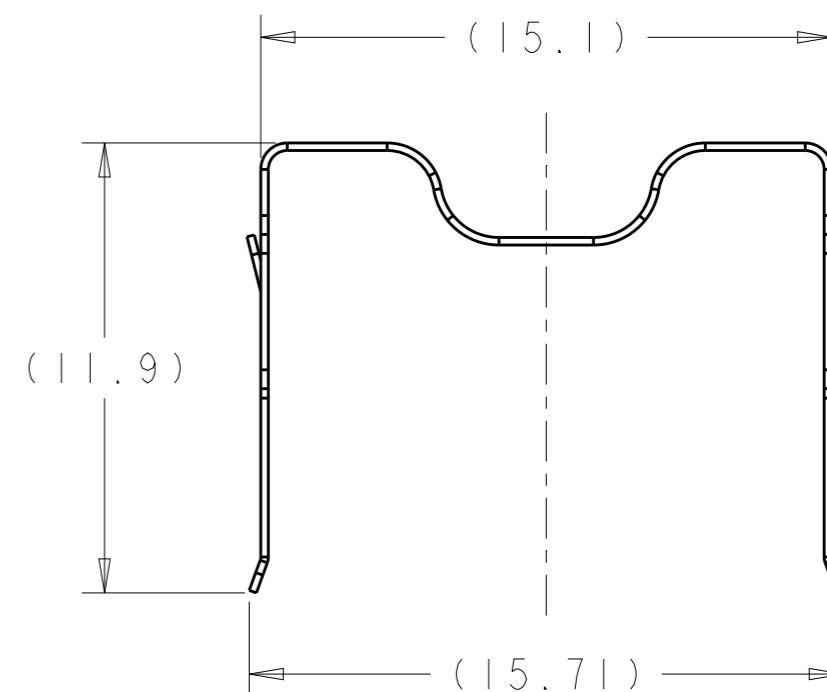
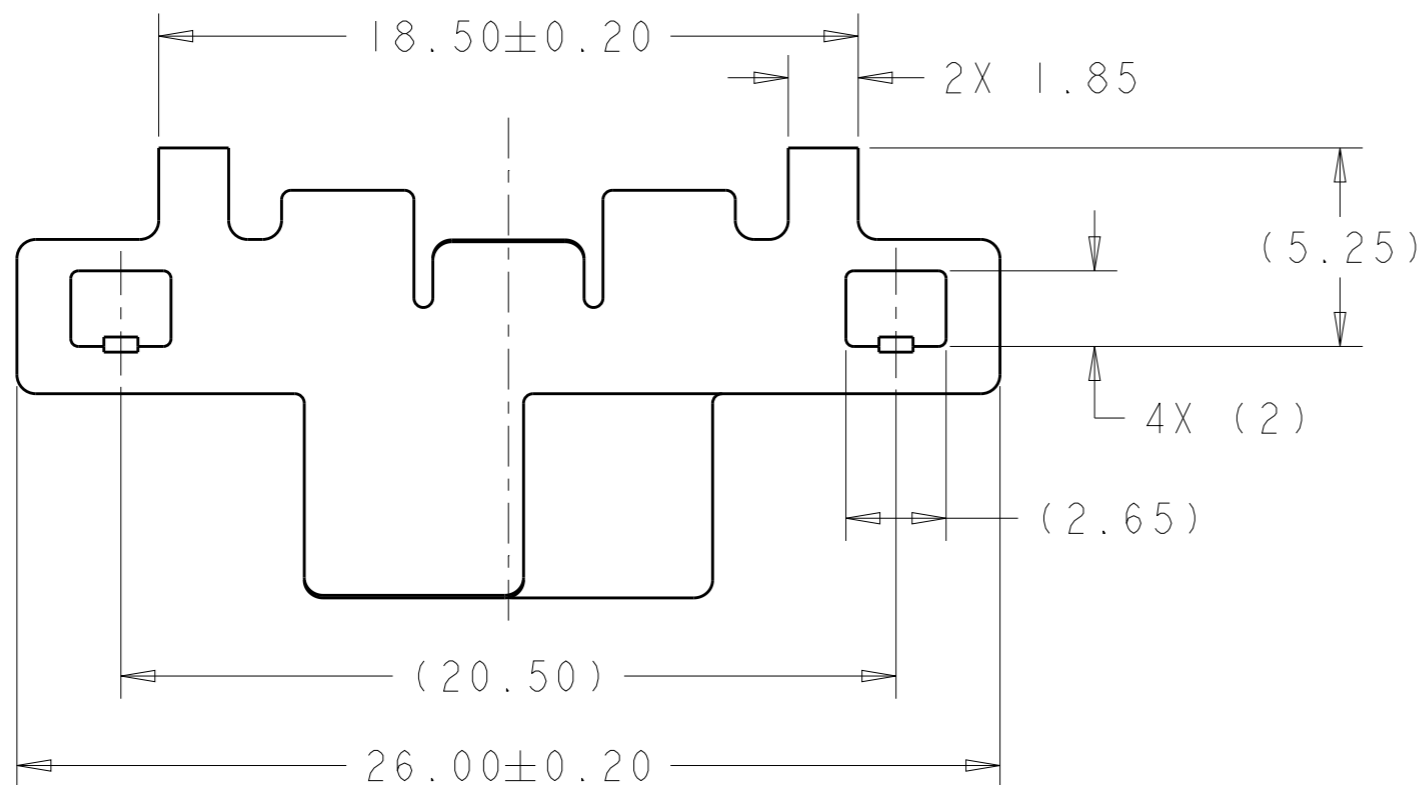
© COPYRIGHT 20 BY -

ALL RIGHTS RESERVED.

LOC GP DIST 00

REVISIONS

P	LTR	DESCRIPTION	DATE	DWN	APVD
		SEE SHEET 1			



TRAY	1367646-8
PACKAGE	PART NUMBER

THIS DRAWING IS A CONTROLLED DOCUMENT.

DIMENSIONS: mm



TOLERANCES UNLESS OTHERWISE SPECIFIED:

- 0 PLC ± -
- 1 PLC ± -
- 2 PLC ± 0.10
- 3 PLC ± -
- 4 PLC ± -
- ANGLES ± -

MATERIAL -

FINISH -

DWN P. KERLIN 11MAY2006

CHK E. BRIGHT 11MAY2006

APVD F. BRIGHT 11MAY2006

PRODUCT SPEC -

APPLICATION SPEC 114-13178

WEIGHT -

Customer Drawing

STE TE Connectivity

NAME HEAT SINK CLIP, DWDM SFP

SIZE A3	CAGE CODE 00779	DRAWING NO C=1367646	RESTRICTED TO -
---------	-----------------	----------------------	-----------------

SCALE 5:1 SHEET 2 OF 3 REV C3

THIS DRAWING IS UNPUBLISHED.

RELEASED FOR PUBLICATION

20

© COPYRIGHT 20 BY -

ALL RIGHTS RESERVED.

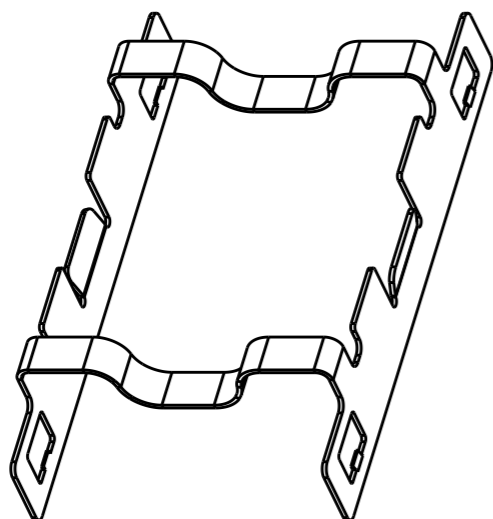
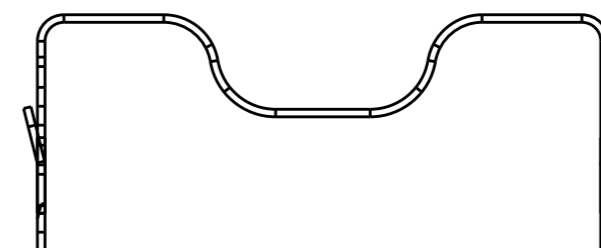
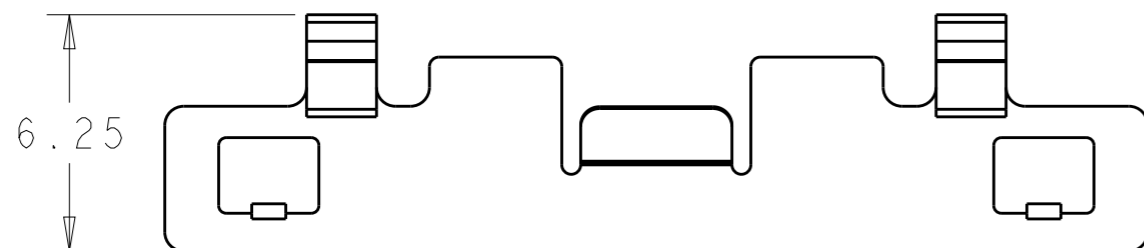
LOC
GP

DIST
00

REVISIONS

P	LTR	DESCRIPTION	DATE	DWN	APVD
-		SEE SHEET 1	-	-	-

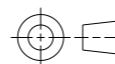
PART NUMBER: 1-1367646-0
UNSPECIFIED DIMENSIONS REFER TO PN 1367646-8



THIS DRAWING IS A CONTROLLED DOCUMENT.

DIMENSIONS:

mm



TOLERANCES UNLESS OTHERWISE SPECIFIED:

- 0 PLC ±-
- 1 PLC ±-
- 2 PLC ±0.10
- 3 PLC ±-
- 4 PLC ±-
- ANGLES ±-

MATERIAL

-

FINISH

-

DWN P. KERLIN 11MAY2006

CHK E. BRIGHT 11MAY2006

APVD E. BRIGHT 11MAY2006

PRODUCT SPEC

-

APPLICATION SPEC

114-13178

WEIGHT

-

Customer Drawing

TRAY

1-1367646-0

PACKAGE

PART NUMBER



TE Connectivity

NAME
HEAT SINK CLIP,
DWDM SFP

SIZE CAGE CODE DRAWING NO RESTRICTED TO

A300779 C-1367646 -

SCALE 5:1 SHEET 3 OF 3 REV C3