

## LPS22CH adapter board for a standard DIL24 socket



### Features

- Complete LPS22CH pin-out for a standard DIL 24 socket
- Fully compatible with the STEVAL-MKI109V3 motherboard
- RoHS compliant

### Description

The STEVAL-MKI219V1 is an adapter board designed to facilitate the evaluation of MEMS devices in the LPS22CH product family. The board offers an effective solution for fast system prototyping and device evaluation directly within the user's own application.

The STEVAL-MKI219V1 can be plugged into a standard DIL 24 socket.

The adapter provides the complete LPS22CH pin-out and comes ready-to-use with the required decoupling capacitors on the V<sub>DD</sub> power supply line.

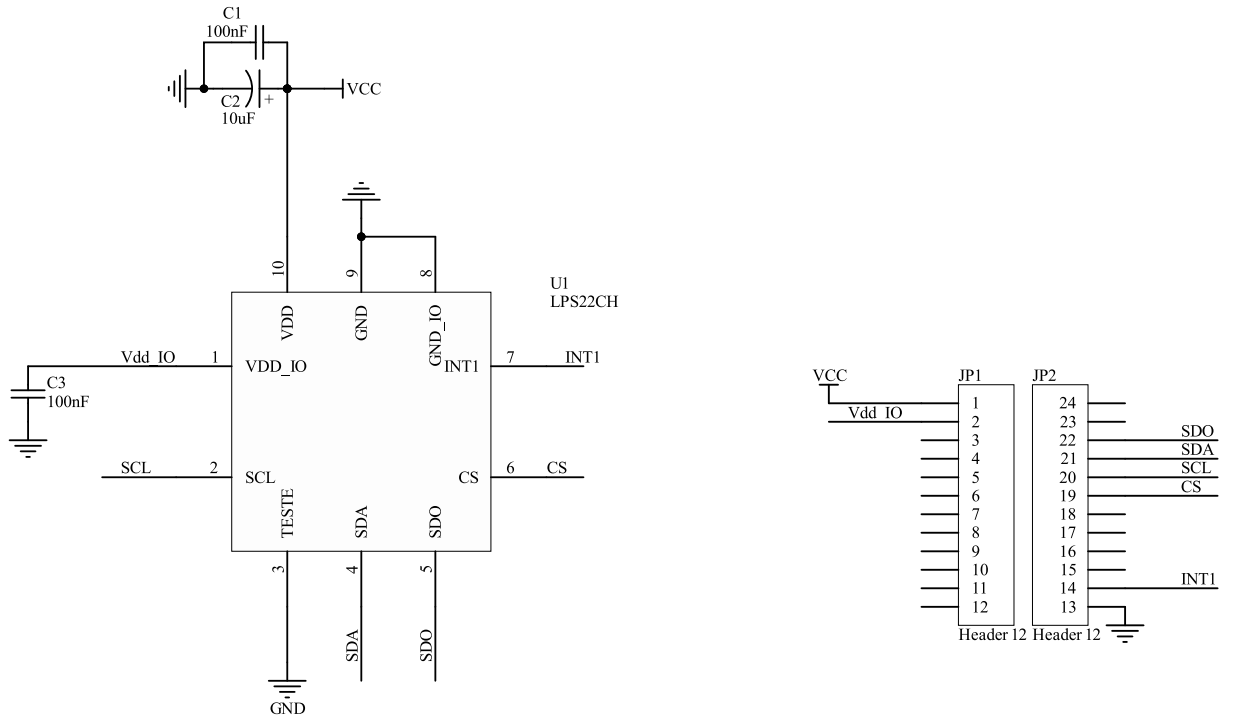
This adapter is supported by the STEVAL-MKI109V3 motherboard with high performance 32-bit microcontroller functioning as a bridge between the sensor and a PC, on which it is possible to use the downloadable graphical user interface (Unico-GUI), or dedicated software routines for customized applications.



Product summary	
LPS22CH adapter board for a standard DIL24 socket	STEVAL-MKI219V1
High-performance MEMS nano pressure sensor: 260-1260 hPa absolute digital output barometer	LPS22CH
ST MEMS adapter motherboard based on STM32F401VE compatible ST MEMS adapters	STEVAL-MKI109V3
Applications	IoT for Smart Things

# 1 Schematic diagrams

Figure 1. STEVAL-MKI219V1 circuit schematic



## Revision history

**Table 1. Document revision history**

Date	Version	Changes
09-Feb-2021	1	Initial release.

**IMPORTANT NOTICE – PLEASE READ CAREFULLY**

STMicroelectronics NV and its subsidiaries (“ST”) reserve the right to make changes, corrections, enhancements, modifications, and improvements to ST products and/or to this document at any time without notice. Purchasers should obtain the latest relevant information on ST products before placing orders. ST products are sold pursuant to ST’s terms and conditions of sale in place at the time of order acknowledgement.

Purchasers are solely responsible for the choice, selection, and use of ST products and ST assumes no liability for application assistance or the design of Purchasers’ products.

No license, express or implied, to any intellectual property right is granted by ST herein.

Resale of ST products with provisions different from the information set forth herein shall void any warranty granted by ST for such product.

ST and the ST logo are trademarks of ST. For additional information about ST trademarks, please refer to [www.st.com/trademarks](http://www.st.com/trademarks). All other product or service names are the property of their respective owners.

Information in this document supersedes and replaces information previously supplied in any prior versions of this document.

© 2021 STMicroelectronics – All rights reserved