

1 TABLE 1

番号 No.	部品 PART	材質 MATERIAL	
①	ハウジング HOUSING	ナイロン, UL94-V0, 色 : ベージュ NYLON (PA), UL94-V0, COLOR : BEIGE	
②	ターミナル TERMINAL	材料 MATERIAL	黄銅 BRASS
		下地めっき UNDER PLATING	ニッケルめっき 1.27マイクロメートル以上 NICKEL PLATING 1.27micro-meter MIN
		接点部、テール CONTACT AND TAIL	金めっき 0.1マイクロメートル以上 GOLD PLATING 0.1 micro-meter MIN

注記

NOTE

1. 材質および仕上げ(めっき仕様) : TABLE 1 参照
MATERIAL AND FINISH: SEE TABLE 1
2. 製品仕様書 : 2027050000 PS 000
PRODUCT SPECIFICATION : 2027050000 PS 000
3. 製品取扱説明書 : 874370000-AS
APPLICATION SPECIFICATION : 874370000-AS
4. テール平坦度 : 0.1以下
TAIL COPLANARITY TO BE 0.1 MAX.
5. 嵌合相手 : 87439シリーズ (リセプタクルハウジング), 87421シリーズ (圧着端子)
MATE WITH 87439 SERIES (RECEPTACLE HOUSING)
AND 87421 SERIES (CRIMP TERMINAL).
6. 本製品は金めっき品である。錫めっき品は87438シリーズを参照。
THIS PRODUCT IS GOLD PLATING.
FOR TIN PLATING, REFER TO 87438 SERIES.

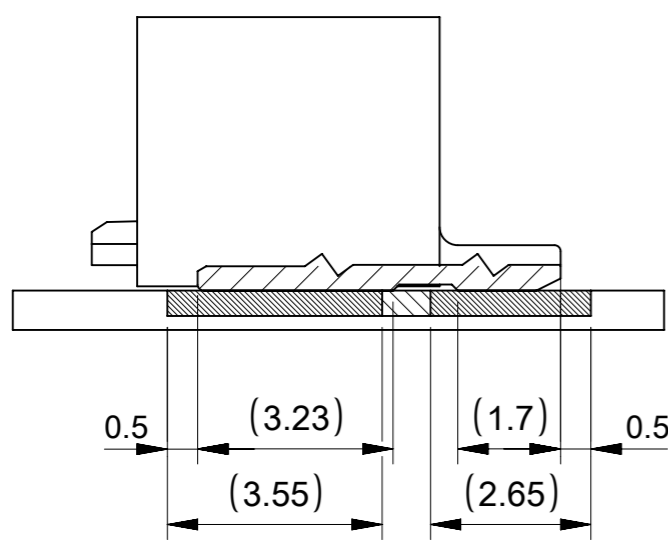
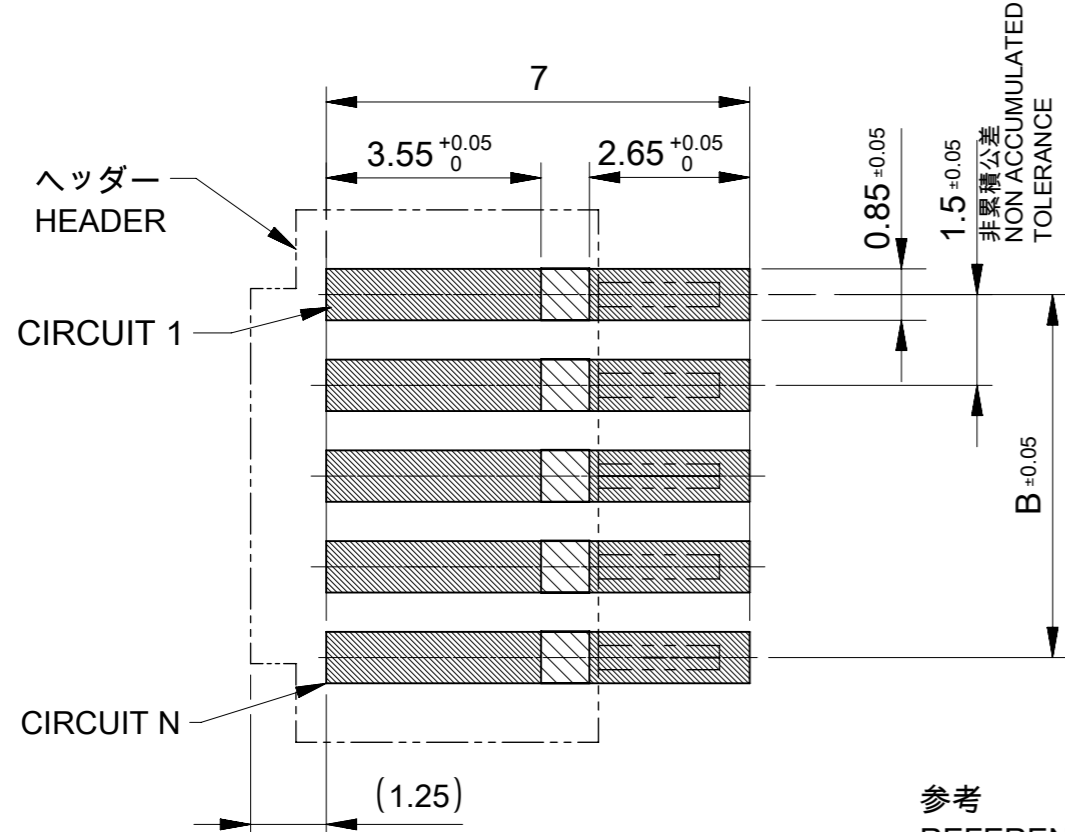
21.2	22.8	21.0	23.8	2027061541	15
19.7	21.3	19.5	22.3	2027061441	14
18.2	19.8	18.0	20.8	2027061341	13
16.7	18.3	16.5	19.3	2027061241	12
15.2	16.8	15.0	17.8	2027061141	11
13.7	15.3	13.5	16.3	2027061041	10
12.2	13.8	12.0	14.8	2027060941	9
10.7	12.3	10.5	13.3	2027060841	8
9.2	10.8	9.0	11.8	2027060741	7
7.7	9.3	7.5	10.3	2027060641	6
6.2	7.8	6.0	8.8	2027060541	5
4.7	6.3	4.5	7.3	2027060441	4
3.2	4.8	3.0	5.8	2027060341	3
1.7	3.3	1.5	4.3	2027060241	2
D	C	B	A	ヘッダー番号 HEADER NO.	極数 CIRCUIT SIZE

THIS DRAWING CONTAINS INFORMATION THAT IS PROPRIETARY TO MOLEX ELECTRONIC TECHNOLOGIES, LLC AND SHOULD NOT BE USED WITHOUT WRITTEN PERMISSION

DIMENSION UNITS mm	SCALE NTS	CURRENT REV DESC:				
GENERAL TOLERANCES (UNLESS SPECIFIED)		EC NO: 712179				
ANGULAR TOL	± 3.0 °	DRWN: TENAGASE		SINGLE ROW RIGHT ANGLE SMT PLUG ASSEMBLY		
4 PLACES	± 0.2	CHK'D: SAKIYAMA		GOLD PLATING		
3 PLACES	± 0.2	APPR: AIDA		PRODUCT CUSTOMER DRAWING		
2 PLACES	± 0.2	INITIAL REVISION:		DOCUMENT NUMBER		
1 PLACE	± 0.2	DRWN: TODA		2027060241		
0 PLACES	± 0.2	APPR: TKANEKO		PSD 000 E		
DRAFT WHERE APPLICABLE MUST REMAIN WITHIN DIMENSIONS		THIRD ANGLE PROJECTION	DRAWING	SERIES	MATERIAL NUMBER	CUSTOMER
			A3-SIZE	202706	SEE SHEET3	GENERAL

SHEET NUMBER: 1 OF 3

推奨基板レイアウト RECOMMENDED PCB LAYOUT

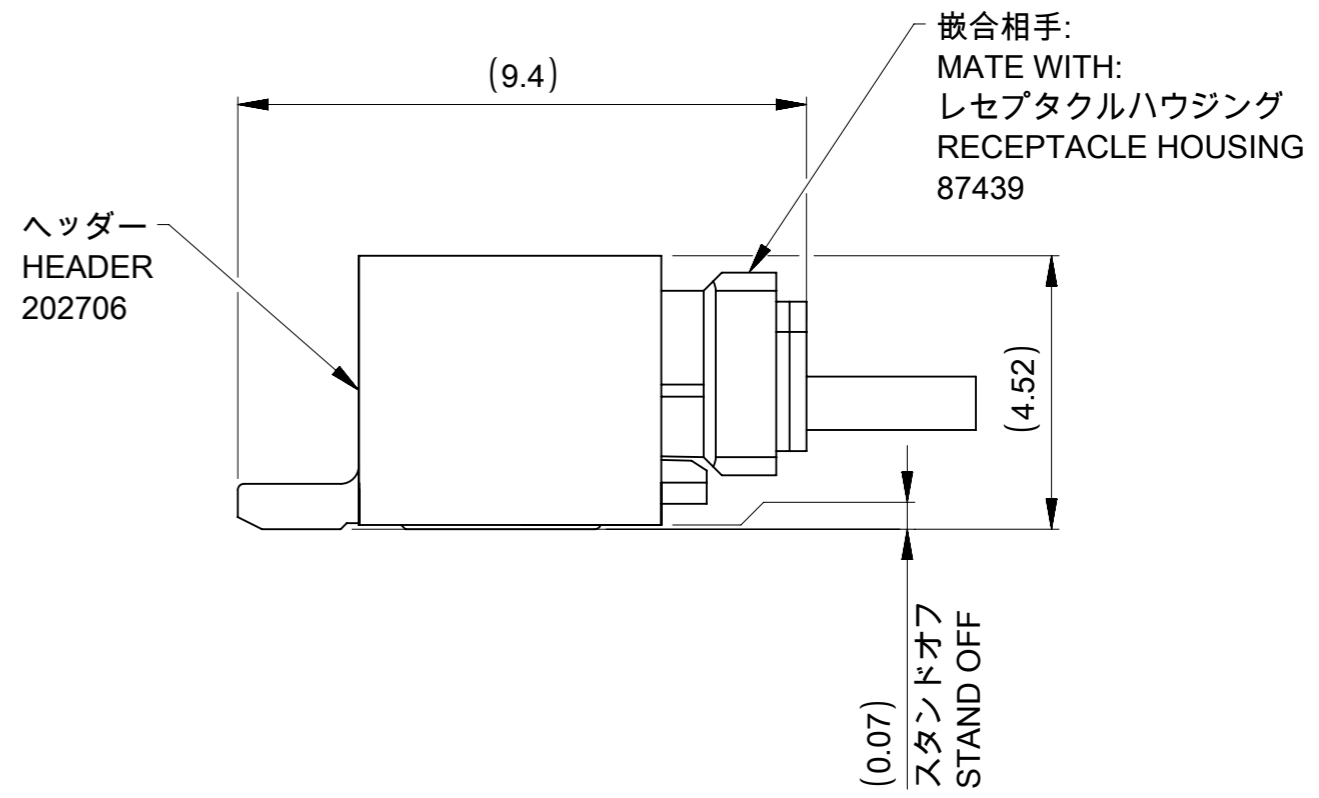


SECTION Z-Z

参考 : 基板厚 1.0mm
 REFERENCE : PCB THICKNESS 1.0mm
 メタルマスク厚 0.12mm
 STENCIL THICKNESS 0.12mm
 マスク開口率100%
 APERTURE RATIO 100%.

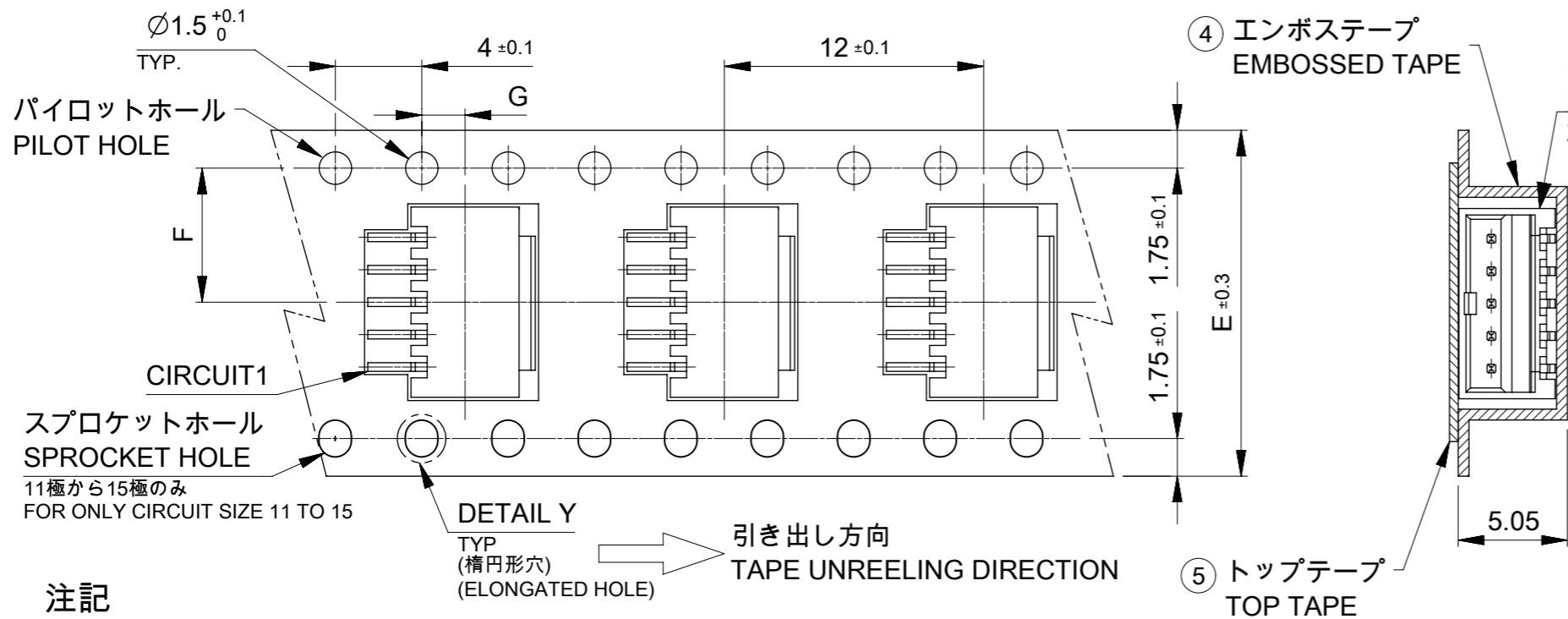
- : 半田エリア (パターンエリア)
SOLDER AREA (COPPER ZONE)
- : 半田禁止エリア (パターン禁止エリア)
SOLDER KEEP OUT AREA (NO-COPPER ZONE)
半田上がりを防ぐため。
TO PREVENT SOLDER LIFTING.
レジストによって分離する場合は、パターン面よりも盛り上がらないこと。
IF APPLY RESIST IN THIS AREA, LEVEL AS PATTERN AREA FACE.

嵌合図 MATED CONNECTORS



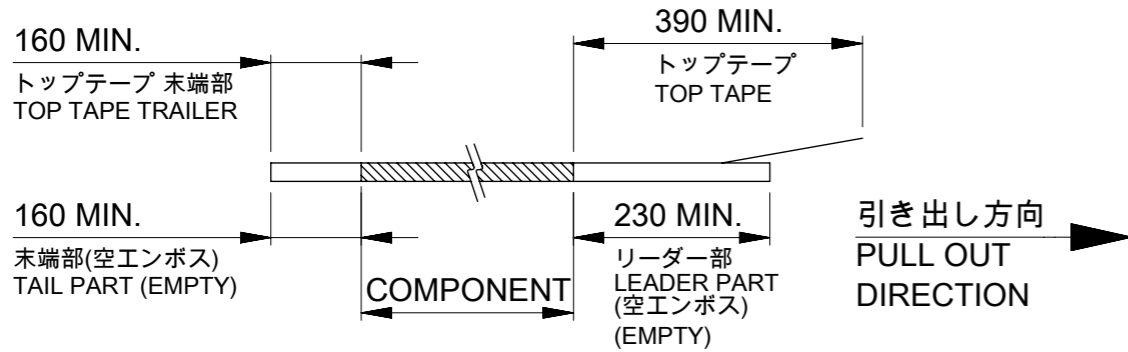
THIS DRAWING CONTAINS INFORMATION THAT IS PROPRIETARY TO MOLEX ELECTRONIC TECHNOLOGIES, LLC AND SHOULD NOT BE USED WITHOUT WRITTEN PERMISSION									
DIMENSION UNITS		SCALE		CURRENT REV DESC:				molex	
mm		NTS							
GENERAL TOLERANCES (UNLESS SPECIFIED)				EC NO: 712179				PICO-SPOX 1.5 W/B	
ANGULAR TOL ± 3.0 °				DRWN: TENAGASE 2022/06/28				SINGLE ROW RIGHT ANGLE SMT PLUG ASSEMBLY	
4 PLACES ± 0.2				CHK'D: SAKIYAMA 2022/06/28				GOLD PLATING	
3 PLACES ± 0.2				APPR: AIDA 2022/06/28				PRODUCT CUSTOMER DRAWING	
2 PLACES ± 0.2				INITIAL REVISION:				DOCUMENT NUMBER	
1 PLACE ± 0.2				DRWN: TODA 2016/08/08				2027060241	
0 PLACES ± 0.2				APPR: TKANEKO 2017/03/23				PSD 000 E	
DRAFT WHERE APPLICABLE MUST REMAIN WITHIN DIMENSIONS		THIRD ANGLE PROJECTION		DRAWING		SERIES		SHEET NUMBER	
				A3-SIZE		202706		2 OF 3	

エンボス梱包 詳細 EMBOSSED CARRIER TAPE PACKING DETAILS

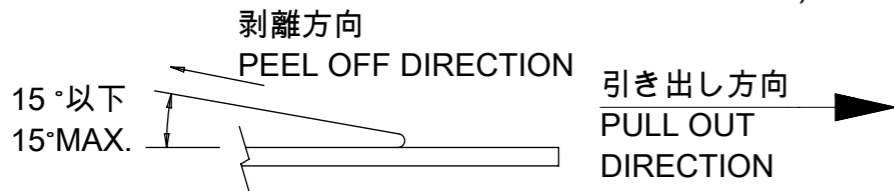


注記 NOTE

7. リーダー部および末端部テープ長さ LEADER AND TRAILER TAPE LENGTH



8. トップテープの剥離強度：IEC60286-3に準拠。 PEELING OFF FORCE OF THE TOP TAPE: DEFINED IEC60286-3. (剥離方向は下図を参照) (PEELING DIRECTION AS SHOWN IN FOLLOWING FIGURE)



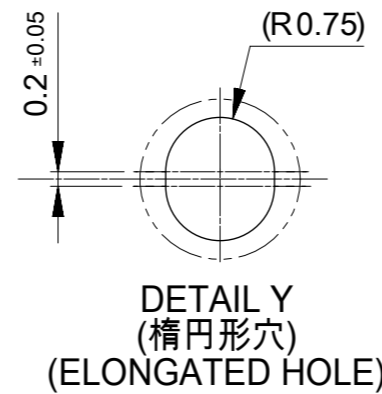
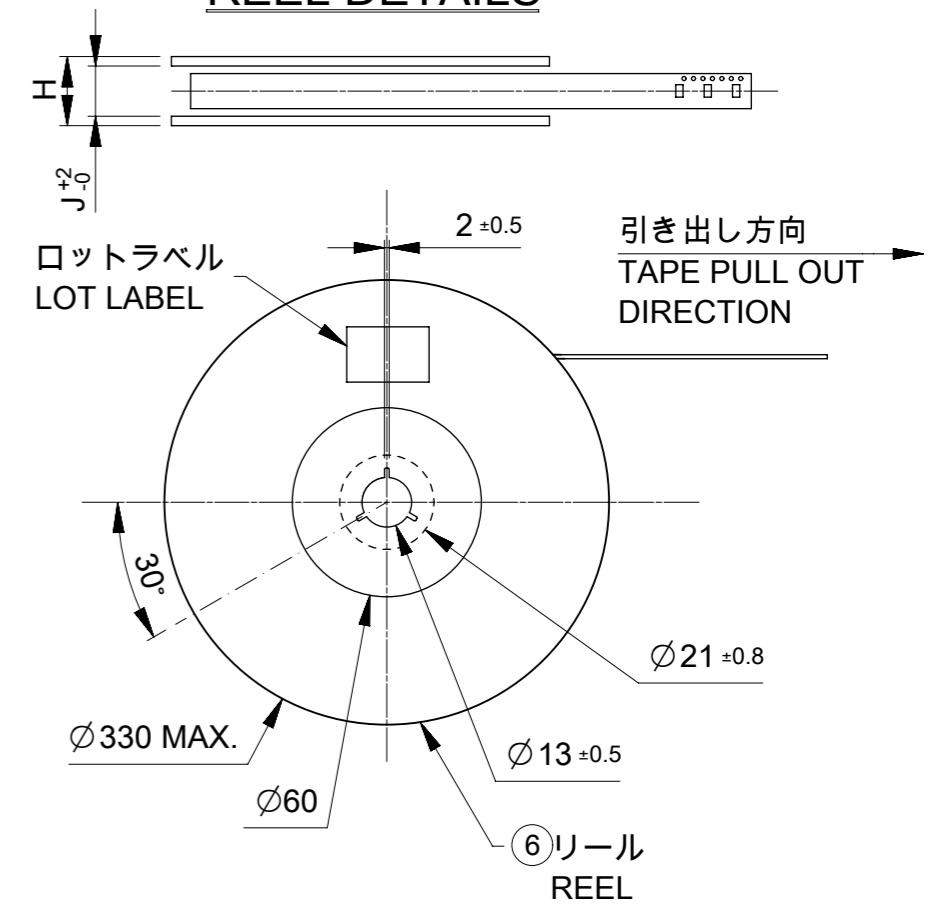
9. EIA-481に準拠する。 PACKAGING STANDARD IS AS PER EIA-481.

10. 梱包数量=1000個/リール TAPE & REEL QUANTITY=1000PCS/REEL

11. 本製品は乾燥剤入りハイバリア梱包での納品となる。 THIS PRODUCT IS DELIVERED IN A HIGH BARRIER PACKAGE WITH DESICCANT.

12. 梱包仕様書：2027069200 PS 200 PACKING INFORMATION：2027069200 PS 200

リール 詳細 REEL DETAILS



44.4	50.4	2±0.15	20.2±0.15	44	2027061541	2027061543	15
32.4	38.4	2±0.1	14.2±0.1	32	2027061441	2027061443	14
					2027061341	2027061343	13
					2027061241	2027061243	12
					2027061141	2027061143	11
24.4	30.4	2±0.1	11.5±0.1	24	2027061041	2027061043	10
					2027060941	2027060943	9
					2027060841	2027060843	8
16.4	22.4	2±0.1	7.5±0.1	16	2027060741	2027060743	7
					2027060641	2027060643	6
					2027060541	2027060543	5
					2027060441	2027060443	4
16.4	22.4	2±0.1	7.5±0.1	16	2027060341	2027060343	3
					2027060241	2027060243	2
J	H MAX	G	F	E	ヘッド番号 HEADER NO.	オーダー番号 ORDER NO.	極数 CIRCUIT SIZE

番号 NO.	部品 PART	材質 MATERIAL	THIS DRAWING CONTAINS INFORMATION THAT IS PROPRIETARY TO MOLEX ELECTRONIC TECHNOLOGIES, LLC AND SHOULD NOT BE USED WITHOUT WRITTEN PERMISSION	
			DIMENSION UNITS mm	SCALE NTS
④	エンボステープ EMBOSSED TAPE	ポリスチレン POLYSTYRENE (PS)	CURRENT REV DESC:	
			GENERAL TOLERANCES (UNLESS SPECIFIED)	EC NO: 712179
⑤	トップテープ TOP TAPE	ポリエチレン POLYETHYLENE (PE)	4 PLACES ± 0.2	DRWN: TENAGASE 2022/06/28
			3 PLACES ± 0.2	CHK'D: SAKIYAMA 2022/06/28
⑥	リール REEL	ポリスチレン POLYSTYRENE (PS)	2 PLACES ± 0.2	APPR: AIDA 2022/06/28
			1 PLACE ± 0.2	INITIAL REVISION:
DRAFT WHERE APPLICABLE MUST REMAIN WITHIN DIMENSIONS			0 PLACES ± 0.2	DRWN: TODA 2016/08/08
THIRD ANGLE PROJECTION			APPR: TKANEKO 2017/03/23	2017/03/23
DRAWING			SERIES	MATERIAL NUMBER
A3-SIZE			202706	CUSTOMER
DOCUMENT NUMBER			2027060241	DOC TYPE
PSD			000	DOC PART
GENERAL			E	REVISION
SEE SHEET3			GENERAL	SHEET NUMBER
3 OF 3				