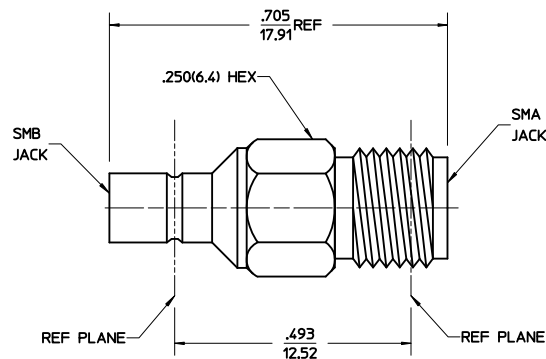


MATERIALS AND FINISHES:
 BODY STAINLESS STEEL
 PASSIVATED

CENTER CONTACT BERYLLIUM COPPER
 PLATED GOLD

INSULATOR TEFLON



PART # 73386-0202 (TRAY PACK)
 PART # 73386-0201 (ONE PER BAG)

MIL-STD-348, FIGURE 311-1	SMB INTERFACE
MIL-STD-348, FIGURE 310-2	SMA INTERFACE
PS-89675-2730	ELECTRO/MECH PERFORMANCE
SPECIFICATION	DESCRIPTION

CHG: NEW FRAME EC NO: URF2011-0580 DRWN: JWIENER 2011/04/05 CHKD: AZR 2011/04/05 APPR: JWIENER 2011/04/06	QUALITY SYMBOLS ▽=0 ▽=0	GENERAL TOLERANCES (UNLESS SPECIFIED)		DIMENSION STYLE		SCALE	DESIGN UNITS	THIRD ANGLE PROJECTION		
				IN/MM			INCH			
				DRAWN BY DATE		TITLE				
				CHECKED BY DATE		SMA JACK/SMB JACK BSA				
		APPROVED BY DATE		50 OHM						
		ANGULAR ±1/2°		BSA-SMA/SMB EWR-1379						
		DRAFT WHERE APPLICABLE MUST REMAIN WITHIN DIMENSIONS		MATERIAL NO.		DOCUMENT NO.		SHEET NO.		
A2		SEE TABLE		SD-73386-020		1 OF 1				
		SIZE C		THIS DRAWING CONTAINS INFORMATION THAT IS PROPRIETARY TO MOLEX INCORPORATED AND SHOULD NOT BE USED WITHOUT WRITTEN PERMISSION						