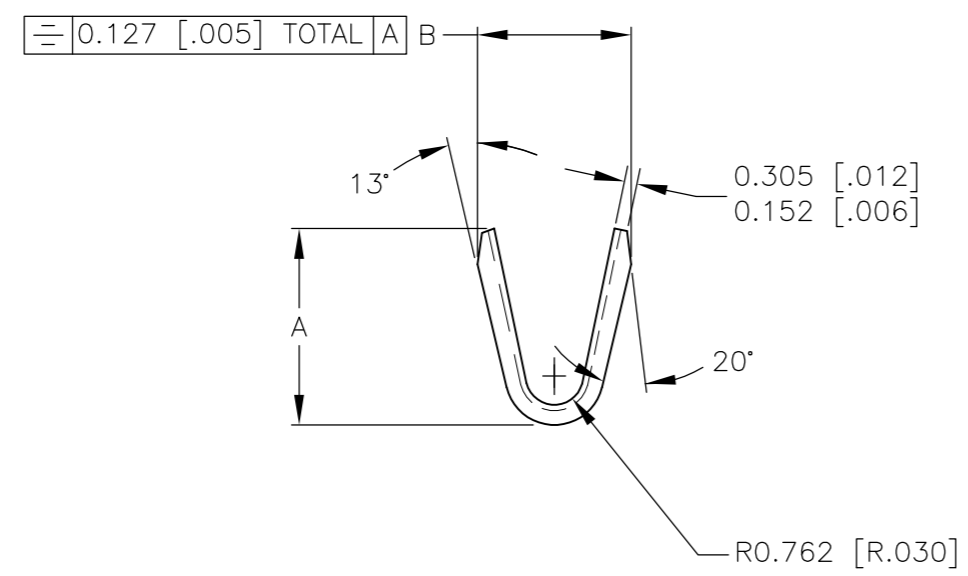
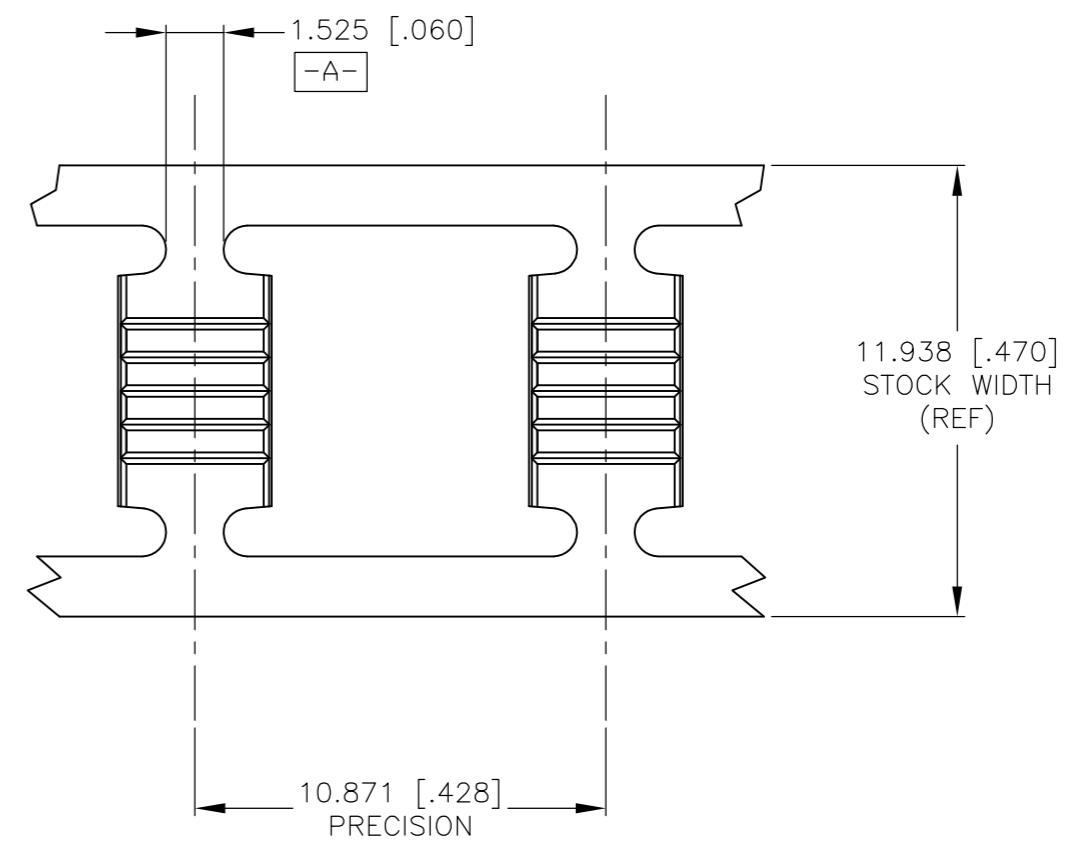
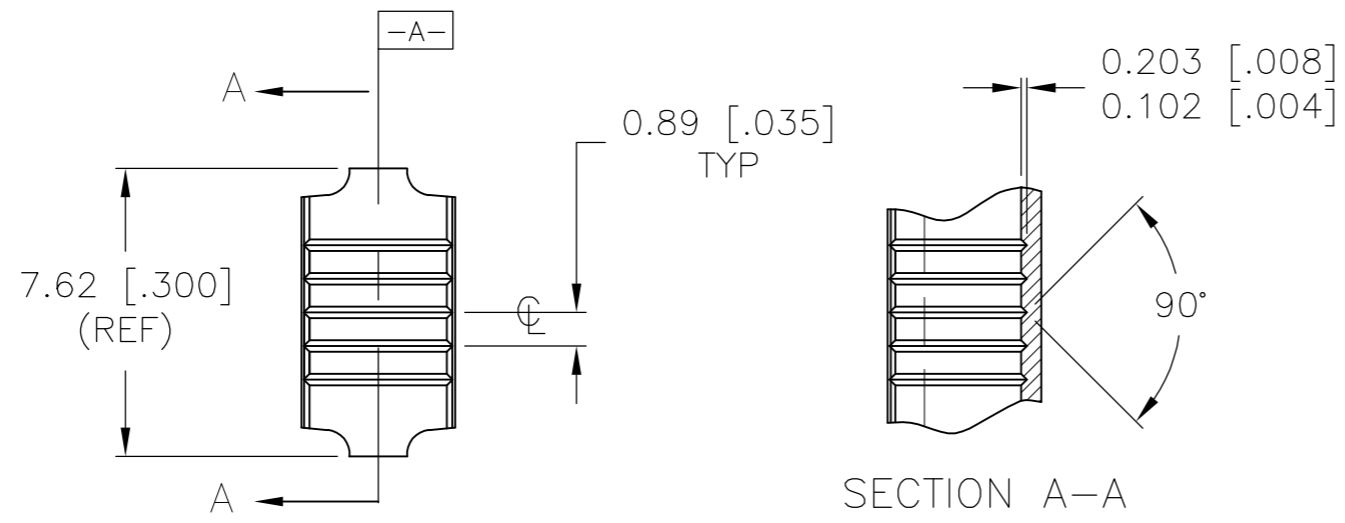


THIS DRAWING IS UNPUBLISHED. RELEASED FOR PUBLICATION
 © COPYRIGHT - By - ALL RIGHTS RESERVED.

LOC		DIST		REVISIONS			
P	LTR	DESCRIPTION		DATE	DWN	APVD	
	C1	REVISED PER ECO-14-014100		09OCT2014	DD	WW	



-	-	-	-	-
3.57/3.05 [.14/.12]	4.191/3.429 [.165/.135]	14	1438255-2	-
4.06/3.57 [.16/.14]	5.207/4.445 [.205/.175]	12	1438255-1	2-1438255-1
B	A	WIRE GAGE	TE P/N	LOOSE PIECE P/N

THIS DRAWING IS A CONTROLLED DOCUMENT.		DWN	12 JUNE 2003		
		CHK	12 JUNE 2003		
		APVD	12 JUNE 2003		
		PRODUCT SPEC			
DIMENSIONS: mm [INCHES]		TOLERANCES UNLESS OTHERWISE SPECIFIED:		NAME	
		0 PLC ± -		SPLICE CLIP	
		1 PLC ± -		SIZE	
		2 PLC ± 0.25 [.01]		CAGE CODE	
		3 PLC ± 0.13 [.005]		DRAWING NO	
4 PLC ± -		APPLICATION SPEC		RESTRICTED TO	
FINISH		WEIGHT		SCALE	
CA260 1/2 HARD		-		5:1	
		CUSTOMER DRAWING		SHEET	
				1 of 1	
				REV	
				C1	

1438255