

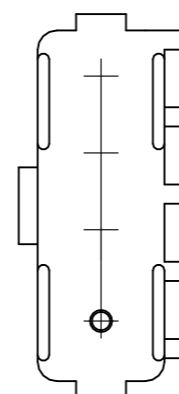
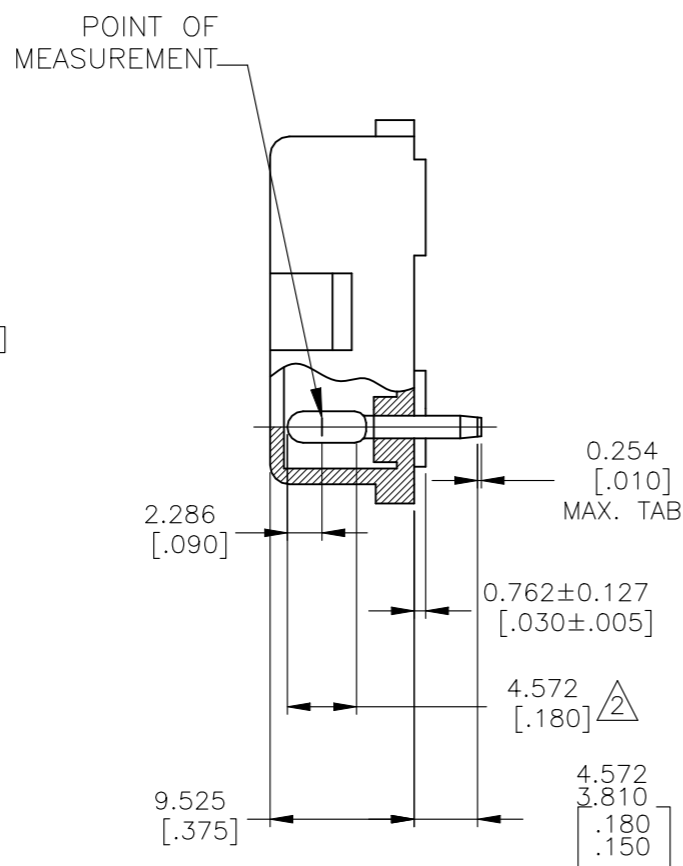
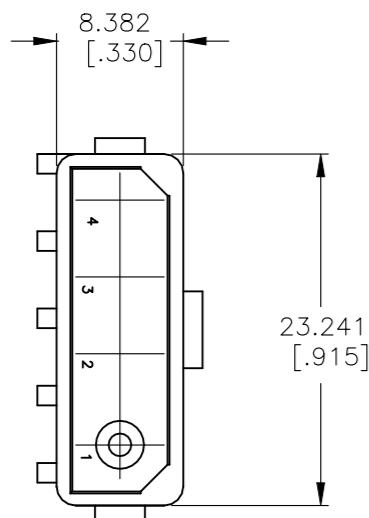
THIS DRAWING IS UNPUBLISHED. RELEASED FOR PUBLICATION

© COPYRIGHT BY TYCO ELECTRONICS CORPORATION. ALL RIGHTS RESERVED.

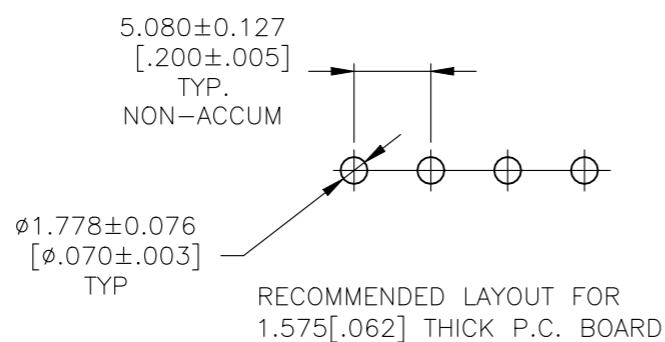
LOC CM DIST 00

REVISIONS

P	LTR	DESCRIPTION	DATE	DWN	APVD
01		REVISED PER ECO-10-000443	18JAN10	KK	HMR
A		REVISED PER ECR-21-117185	25OCT2021	PJ	VS



- PARTS MUST COMPLY WITH SOLDERABILITY SPEC. 109-11-3.
- CONTACT IS PLATED OVERALL WITH .000050 NICKEL, THEN .000030 GOLD OVER CONTACT LENGTH INDICATED AND MATTE TIN ON SOLDER TAIL END.
- OBSOLETE PARTS: OBSOLETE CIS STREAMLINING PER D.RENAUD/D.SINISI
- DIMENSION SHOWN REPRESENT PRODUCT IN DRY CONDITION. ADDITIONAL 2% GROWTH DUE TO END USE LOCATION MOISTURE ABSORPTION MAY OCCUR AND SHOULD BE ACCOUNTED FOR.



OBSOLETE	<del>5-1586534-2</del>	NYLON-GREEN	COPPER ALLOY-GOLD
	1586534-2	NYLON-NATURAL	COPPER ALLOY-GOLD
	ASSEMBLY NO.	HSG, MATL& COLOR	PIN MATL & FINISH

THIS DRAWING IS A CONTROLLED DOCUMENT.		DWN RAGHU 11OCT2005	Tyco Electronics Corporation Harrisburg, PA 17105-3608													
DIMENSIONS: mm [INCHES]		CHK D. COLEY 18OCT2005	Tyco Electronics													
TOLERANCES UNLESS OTHERWISE SPECIFIED:		APVD K. WHITAKER 18OCT2005	NAME: 4 CIRCUIT COMMERCIAL MATE-N-LOK (TM) HEADER													
<table border="0"> <tr><td>0 PLC</td><td>± -</td></tr> <tr><td>1 PLC</td><td>± -</td></tr> <tr><td>2 PLC</td><td>± -</td></tr> <tr><td>3 PLC</td><td>± -</td></tr> <tr><td>4 PLC</td><td>± -</td></tr> <tr><td>ANGLES</td><td>± -</td></tr> </table>		0 PLC	± -	1 PLC	± -	2 PLC	± -	3 PLC	± -	4 PLC	± -	ANGLES	± -	PRODUCT SPEC	-	
0 PLC	± -															
1 PLC	± -															
2 PLC	± -															
3 PLC	± -															
4 PLC	± -															
ANGLES	± -															
MATERIAL: SEE TABLE		APPLICATION SPEC	-													
FINISH: SEE TABLE		WEIGHT: -	SIZE: A3	CAGE CODE: 00779												
		DRAWING NO: C-1586534		RESTRICTED TO: -												
		CUSTOMER DRAWING		SCALE: 2:1												
				SHEET: 1 OF 1												
				REV: A												

METRIC