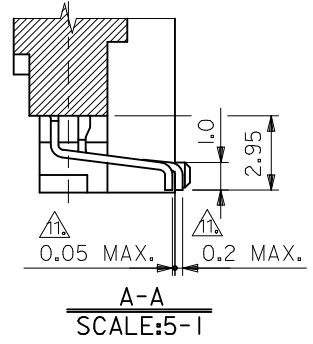
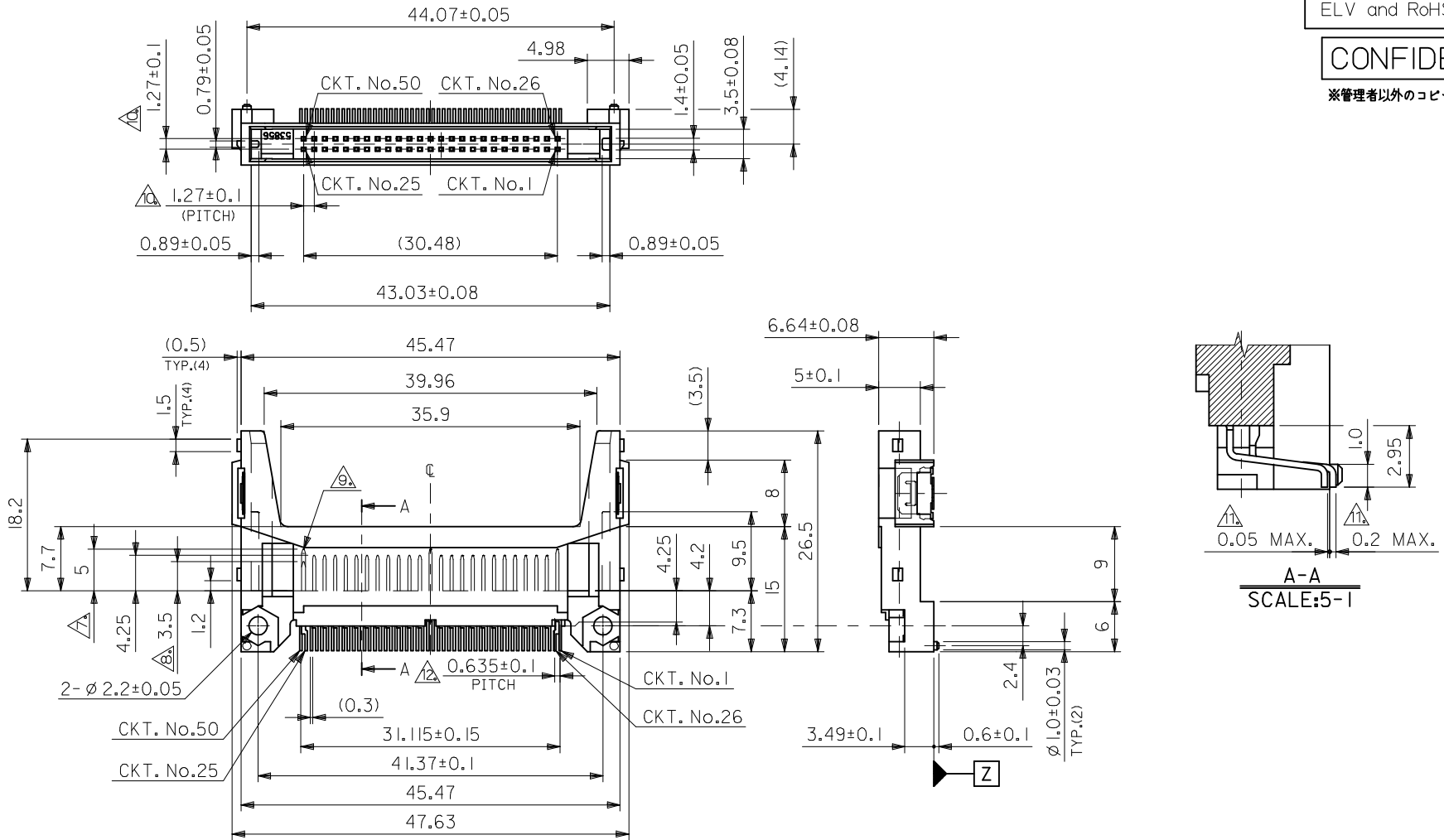


ELV and RoHS Compliant

**CONFIDENTIAL**

※管理者以外のコピー及び配布を禁ずる



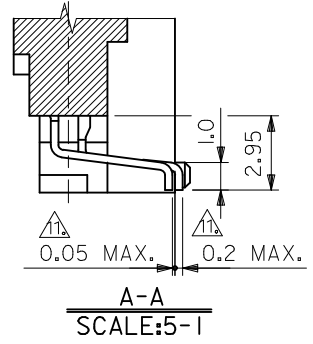
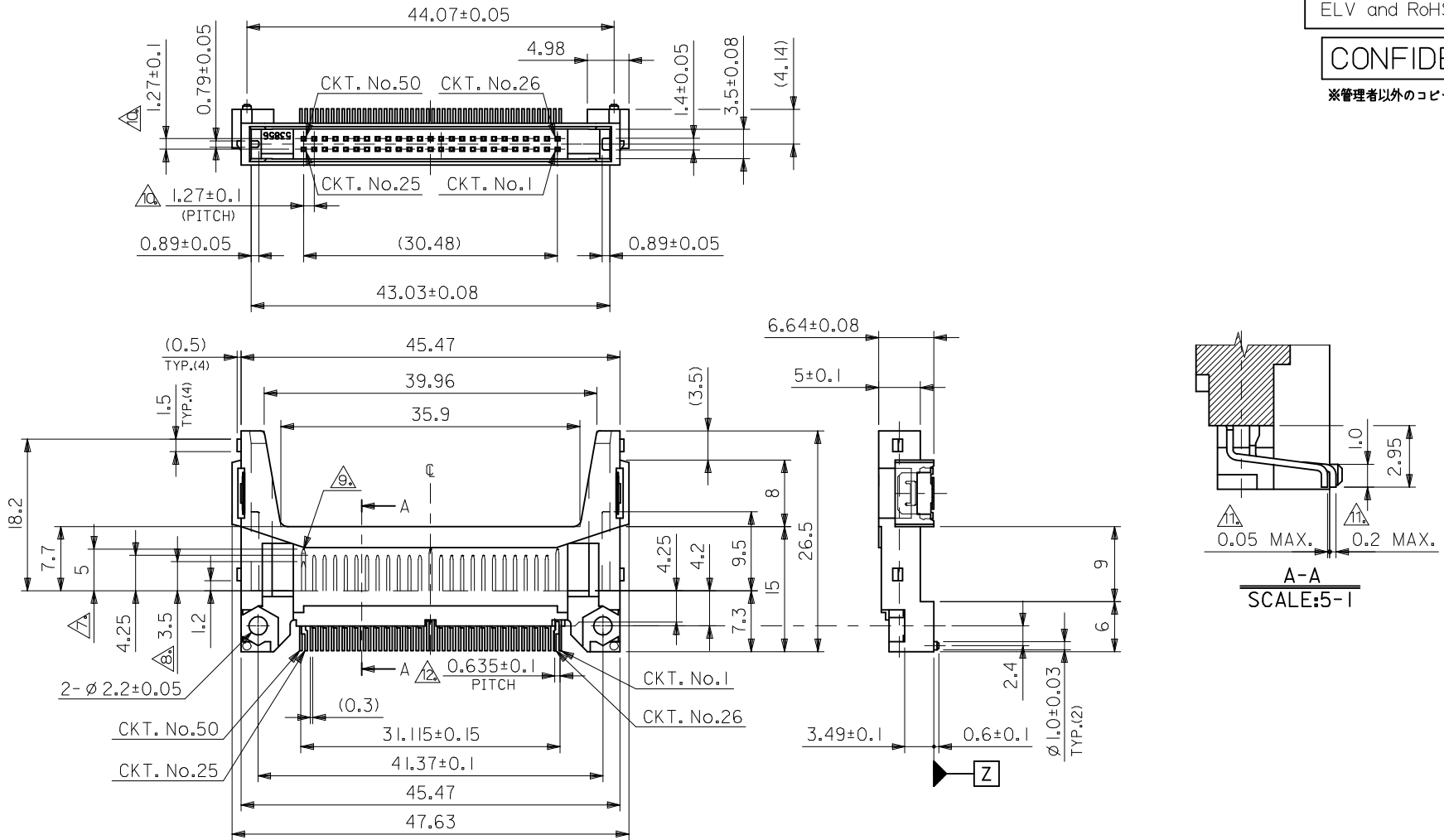
SOFT TRAY PACKAGE	WHITE	53856-5070	50	53856-507*
PACKING TRAY FORM	HOUSING COLOR	MATERIAL No.	No. OF CKT.	MODEL No.

REVISED EC NO: J2017-0575 DRAWINGS: 2017/05/19 CHKD: APPR: MSASAO 2017/06/29	GENERAL TOLERANCES (UNLESS SPECIFIED)		DIMENSION STYLE		SCALE	DESIGN UNITS	THIRD ANGLE PROJECTION
	0.25 UNDER ±0.03		MM ONLY		---	METRIC	☉
	0.25 OVER	0.5 UNDER ±0.05	DRAWN BY	DATE	TITLE		
	0.5 OVER	1.0 UNDER ±0.1	M. NABEI	'04/03/16	CF CARD CONN. HEADER ASS'Y -LEAD FREE-		
1.0 OVER	10 UNDER ±0.2	CHECKED BY	DATE	<b>molex</b> DOCUMENT NO. SD-53856-007 SHEET NO. 1 OF 2			
10 OVER	30 UNDER ±0.25	K. TOJO	'04/03/16				
30 OVER	±0.3	APPROVED BY	DATE	SEE CHART THIS DRAWING CONTAINS INFORMATION THAT IS PROPRIETARY TO MOLEX ELECTRONIC TECHNOLOGIES, LLC AND SHOULD NOT BE USED WITHOUT WRITTEN PERMISSION			
ANGULAR	±3 °	M. SASAO	'04/03/16				
DRAFT WHERE APPLICABLE MUST REMAIN WITHIN DIMENSIONS		SIZE					
		A3					

ELV and RoHS Compliant

**CONFIDENTIAL**

※管理者以外のコピー及び配布を禁ずる



SOFT TRAY PACKAGE	WHITE	53856-5070	50	53856-507*
PACKING TRAY FORM	HOUSING COLOR	MATERIAL No.	No. OF CKT.	MODEL No.

REVISED EC NO: J2017-0575 DRAWINGS: 2017/05/19 CHKD: APPR: MSASAO 2017/06/29	GENERAL TOLERANCES (UNLESS SPECIFIED)		DIMENSION STYLE		SCALE	DESIGN UNITS	THIRD ANGLE PROJECTION
	0.25 UNDER ±0.03		MM ONLY		---	METRIC	☉
	0.25 OVER	0.5 UNDER ±0.05	DRAWN BY	DATE	TITLE		
	0.5 OVER	1.0 UNDER ±0.1	M. NABEI	'04/03/16	CF CARD CONN. HEADER ASS'Y -LEAD FREE-		
1.0 OVER	10 UNDER ±0.2	CHECKED BY	DATE	<b>molex</b> DOCUMENT NO. SD-53856-007 SHEET NO. 1 OF 2			
10 OVER	30 UNDER ±0.25	K. TOJO	'04/03/16				
30 OVER	±0.3	APPROVED BY	DATE	SEE CHART THIS DRAWING CONTAINS INFORMATION THAT IS PROPRIETARY TO MOLEX ELECTRONIC TECHNOLOGIES, LLC AND SHOULD NOT BE USED WITHOUT WRITTEN PERMISSION			
ANGULAR	±3 °	M. SASAO	'04/03/16				
DRAFT WHERE APPLICABLE MUST REMAIN WITHIN DIMENSIONS		SIZE					
		A3					

注) NOTES

1. 材質  
MATERIAL  
ハウジング : ガラス入りLCP UL94V-0  
HOUSING: LCP G.F. UL94V-0  
ピン : リン青銅  
PIN: PHOSPHOR BRONZE  
ネール : リン青銅  
NAIL: PHOSPHOR BRONZE
2. メッキ仕様  
PLATING  
PIN 接点部 : ニッケル下地, パラジウムニッケル, 金メッキ  
CONTACT AREA: PALLADIUM-NICKEL, GOLD OVER NICKEL  
半田付け部 : 錫メッキ  
SOLDER TAIL AREA: TIN  
下地メッキ : ニッケルメッキ  
UNDERPLATING: NICKEL OVER ALL  
NAIL 錫メッキ  
TIN  
下地メッキ : ニッケルメッキ  
UNDERPLATING: NICKEL OVER ALL

3. 推奨基板厚 : t0.8 MIN.  
RECOMMENDED P.C.B. THICKNESS: t0.8 MIN.

4. 適合カード厚  
RECOMMENDED CARD THICKNESS  
接続部 : 3.3±0.1  
CONNECTING AREA: 3.3±0.1

5. 適合カード幅 : 42.8±0.1  
RECOMMENDED CARD WIDTH: 42.8±0.1

6. ハウジング色 :  
HOUSING COLOR:  
53856-5010 : 白 (WHITE)  
53856-5010 : 黒 (BLACK)

△寸 1,13,38,50  
THIS DIMENSION APPLIES TO CIRCUIT NUMBERS  
1,13,38 AND 50.

△寸 25,26  
THIS DIMENSION APPLIES TO CIRCUIT NUMBERS 25 AND 26.

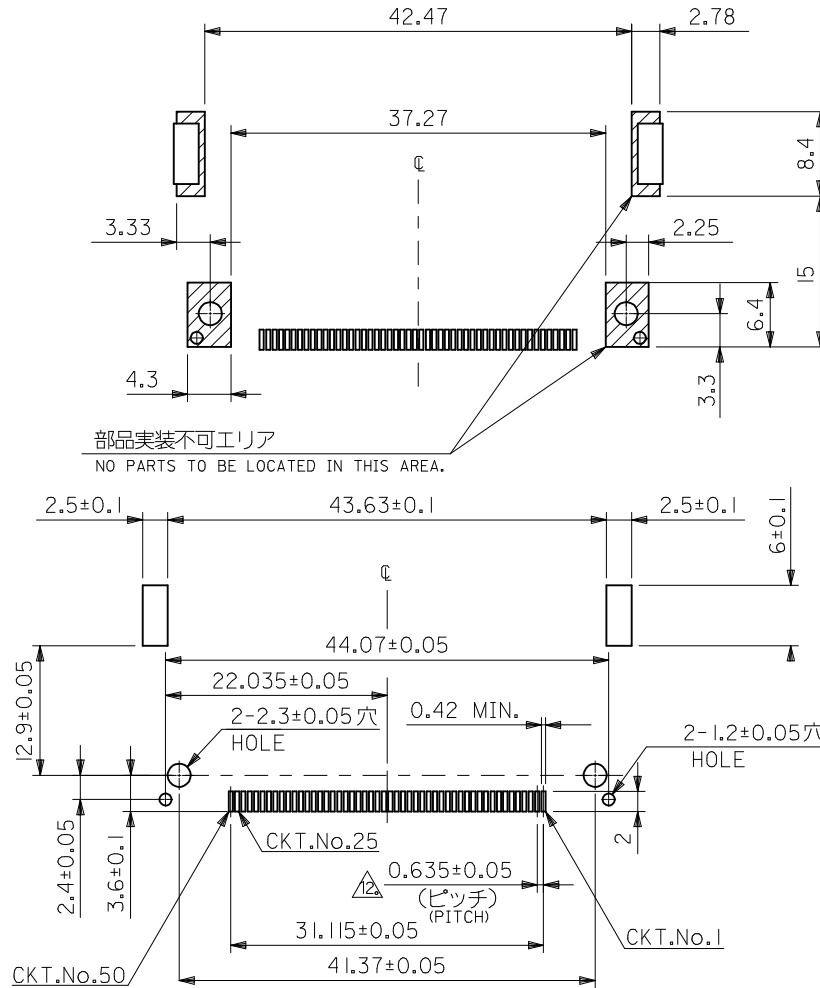
△ピンのはれは、ピン根元を基準に全方向へ0.1 MAX.とする。  
PIN TIP LEAN TOWARD ANY DIRECTION NOT TO EXCEED 0.1  
WHEN MEASURED FROM PIN BASE.

△ピン根元に適用する。  
THIS DIMENSION TO BE MEASURED AT PIN BASE.

△ソルダータールは、Z面を基準とし上へ0.05下へ0.2の範囲にあり、  
且つソルダータールの平坦度は、0.15 MAX.とし、テール先端にて測定する。  
SOLDERTAILS TO BE WITHIN 0.05 UPWARD AND 0.2 DOWNWARD FROM Z-DATUM PLACE, AND COPLANARITY  
OF SOLDERTAILS TO BE WITHIN 0.15.  
MEASUREMENT POINT IS SOLDERTAILS TIP.

△公差非累積  
NON-CUMULATIVE

13. 本製品は 53856-501\* の鉛フリー品である。  
THIS PRODUCT IS LEAD FREE OF 53856-501\*.



基板推奨寸法  
RECOMMENDED P.C.B. LAYOUT

REVISED EC NO: J2017-0575 DRAWINGS 2017/05/19 CHKD: APPR:MSASAO 2017/06/29	GENERAL TOLERANCES (UNLESS SPECIFIED)		DIMENSION STYLE MM ONLY		SCALE ---	DESIGN UNITS METRIC	THIRD ANGLE PROJECTION
	0.25 UNDER	±0.03	DRAWN BY M. NABEI	DATE '04/03/16	TITLE CF CARD CONN. HEADER ASS'Y -LEAD FREE-		
0.25 OVER	0.5 UNDER	±0.05	CHECKED BY K. TOJO	DATE '04/03/16	DOCUMENT NO. <b>molex</b> SD-53856-007		
0.5 OVER	1.0 UNDER	±0.1	APPROVED BY M. SASAO	DATE '04/03/16			
1.0 OVER	10 UNDER	±0.2	MATERIAL NO.		SEE SHEET1		
10 OVER	30 UNDER	±0.25	DRAFT WHERE APPLICABLE MUST REMAIN WITHIN DIMENSIONS		THIS DRAWING CONTAINS INFORMATION THAT IS PROPRIETARY TO MOLEX ELECTRONIC TECHNOLOGIES, LLC AND SHOULD NOT BE USED WITHOUT WRITTEN PERMISSION		
30 OVER	±0.3	SIZE A3					
ANGULAR	±3 °						

注) NOTES

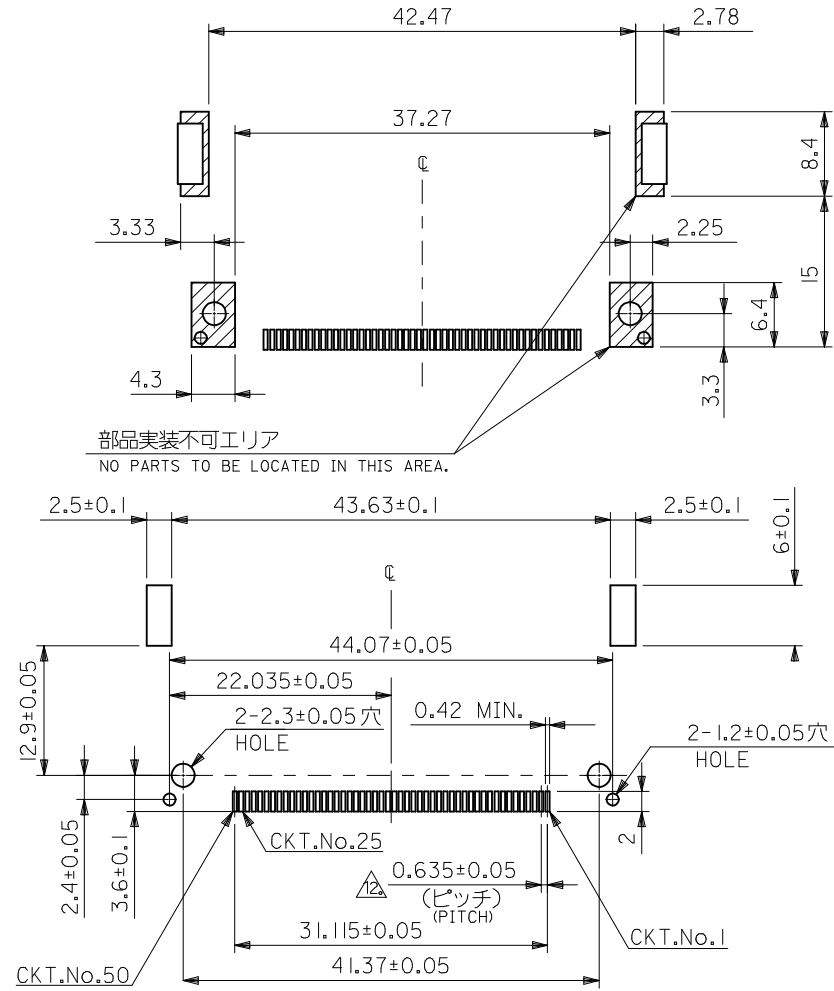
- 材質  
MATERIAL  
ハウジング: ガラス入りLCP UL94V-0  
HOUSING: LCP G.F. UL94V-0  
ピン: リン青銅  
PIN: PHOSPHOR BRONZE  
ネール: リン青銅  
NAIL: PHOSPHOR BRONZE
- メッキ仕様  
PLATING  
PIN 接点部: ニッケル下地, パラジウムニッケル, 金メッキ  
CONTACT AREA: PALLADIUM-NICKEL, GOLD OVER NICKEL  
半田付け部: 錫メッキ  
SOLDER TAIL AREA: TIN  
下地メッキ: ニッケルメッキ  
UNDERPLATING: NICKEL OVER ALL  
NAIL 錫メッキ  
TIN  
下地メッキ: ニッケルメッキ  
UNDERPLATING: NICKEL OVER ALL

- 推奨基板厚:  $t \geq 0.8$  MIN.  
RECOMMENDED P.C.B. THICKNESS:  $t \geq 0.8$  MIN.
- 適合カード厚  
RECOMMENDED CARD THICKNESS  
接続部:  $3.3 \pm 0.1$   
CONNECTING AREA:  $3.3 \pm 0.1$
- 適合カード幅:  $42.8 \pm 0.1$   
RECOMMENDED CARD WIDTH:  $42.8 \pm 0.1$
- ハウジング色:  
HOUSING COLOR:  
53856-5010: 白 (WHITE)  
53856-5010: 黒 (BLACK)

- 寸 1,13,38,50  
THIS DIMENSION APPLIES TO CIRCUIT NUMBERS 1,13,38 AND 50.
- 寸 25,26  
THIS DIMENSION APPLIES TO CIRCUIT NUMBERS 25 AND 26.
- ピンの倒れは、ピン根元を基準に全方向へ  $0.1$  MAX. とする。  
PIN TIP LEAN TOWARD ANY DIRECTION NOT TO EXCEED  $0.1$  WHEN MEASURED FROM PIN BASE.
- ピン根元に適用する。  
THIS DIMENSION TO BE MEASURED AT PIN BASE.

ソルダータールは、Z面を基準とし上へ  $0.05$  下へ  $0.2$  の範囲にあり、目付ソルダータールの平坦度は、 $0.15$  MAX. とし、テール先端にて測定する。  
SOLDERTAILS TO BE WITHIN  $0.05$  UPWARD AND  $0.2$  DOWNWARD FROM Z-DATUM PLACE, AND COPLANARITY OF SOLDERTAILS TO BE WITHIN  $0.15$ . MEASUREMENT POINT IS SOLDERTAILS TIP.

- 公差非累積  
NON-CUMULATIVE
- 本製品は 53856-501\* の鉛フリー品である。  
THIS PRODUCT IS LEAD FREE OF 53856-501\*.



部品実装不可エリア  
NO PARTS TO BE LOCATED IN THIS AREA.

基板推奨寸法  
RECOMMENDED P.C.B. LAYOUT

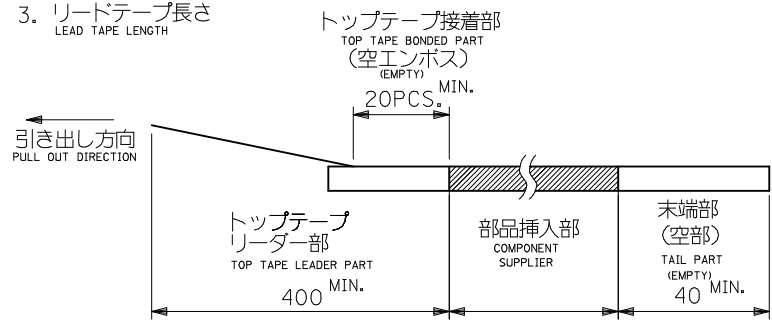
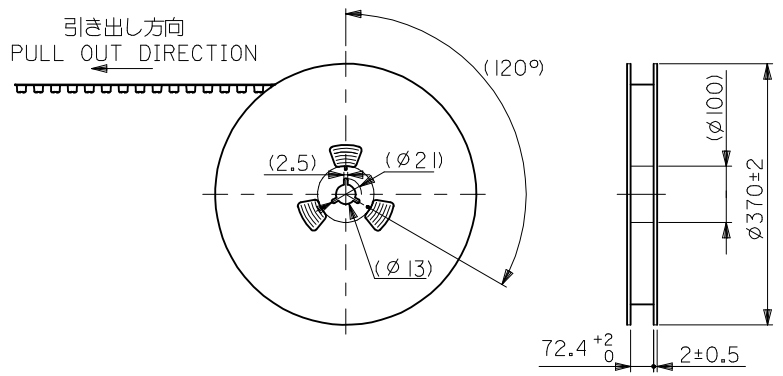
REVISED EC NO: J2017-0575 DRWNGES 2017/05/19 CHKD: APPR:MSASAO 2017/06/29	GENERAL TOLERANCES (UNLESS SPECIFIED)		DIMENSION STYLE MM ONLY		SCALE ---	DESIGN UNITS METRIC	THIRD ANGLE PROJECTION
	0.25 UNDER	±0.03	DRAWN BY M. NABEI	DATE '04/03/16	TITLE CF CARD CONN. HEADER ASS'Y -LEAD FREE-		
	0.25 OVER 0.5 UNDER	±0.05	CHECKED BY K. TOJO	DATE '04/03/16	DOCUMENT NO. <b>molex</b> SD-53856-007		
	0.5 OVER 1.0 UNDER	±0.1	APPROVED BY M. SASAO	DATE '04/03/16			
1.0 OVER 10 UNDER	±0.2	SEE SHEET1		THIS DRAWING CONTAINS INFORMATION THAT IS PROPRIETARY TO MOLEX ELECTRONIC TECHNOLOGIES, LLC AND SHOULD NOT BE USED WITHOUT WRITTEN PERMISSION			
10 OVER 30 UNDER	±0.25	DRAFT WHERE APPLICABLE MUST REMAIN WITHIN DIMENSIONS		SIZE A3			
30 OVER	±0.3						
ANGULAR	±3 °						

**CONFIDENTIAL**

※管理者以外のコピー及び配布を禁ずる

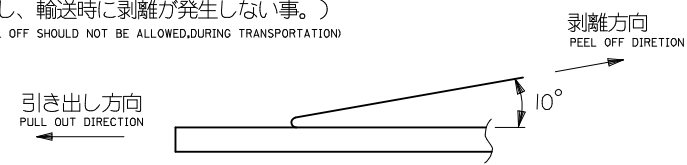
注)  
NOTES

- 製品番号 53856-5070/53856-5071 の詳細寸法については、SD-53856-007 を参照下さい。  
IN THE PACKAGE , PART NO. 53856-5070/53856-5071 DETAILED DIMENSIONS , SEE SD-53856-007
- 梱包数量 : 280個/リール  
NUMBER OF CONNECTORS : 280 PCS/REEL
- リードテープ長さ  
LEAD TAPE LENGTH



- トップテープの剥離強度 : (剥離方向は下図参照)  
PEELING OFF FORCE OF TOP TAPE (PEELING DIRECTION AS SHOWN IN FOLLOWING FIG.)  
0.1~1.3N {10~130gf} : キャリアテープ幅 7.2mm  
CARRIER TAPE WIDTH 7.2mm

尚、本規格値は、出荷時に適用。  
THIS REQUIREMENT SHOULD BE APPLIED AT SHIPMENT  
(但し、輸送時に剥離が発生しない事。)  
(PEEL OFF SHOULD NOT BE ALLOWED, DURING TRANSPORTATION)



- 材料  
MATERIAL  
キャリアテープ : ポリプロピレン (PP)  
CARRIER TAPE : POLYPROPYLENE (PP)  
トップテープ : PET, PE, PEF  
TOP TAPE : PET, PE, PEF  
リール : 紙  
REEL : CARD BOARD
- 本製品は 53856-501\* の鉛フリー品である。  
THIS PRODUCT IS LEAD FREE OF 53856-501\*

BLACK	53856-5071	53856-5079
WHITE	53856-5070	53856-5078
HOUSING COLOR	PART No.	MATERIAL No.
	53856-507*	MODEL No.

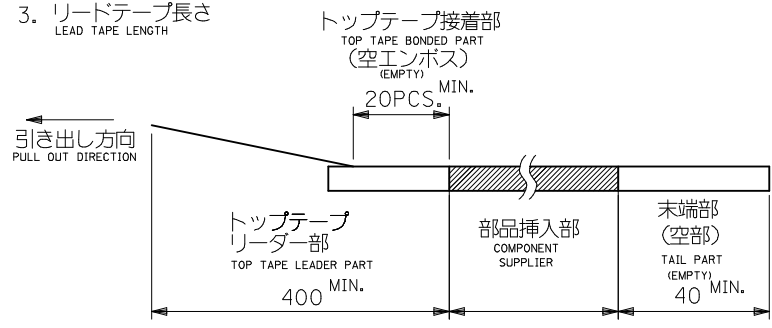
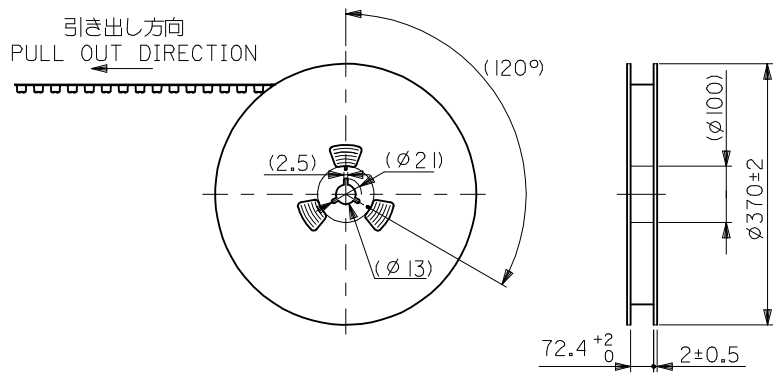
REVISED EC NO: J2015-1214 DRW:RWATANABE01 2015/03/11 CHKD:AMIZUMURA 2015/03/18 APPR:MYAGI 2015/03/23 A	GENERAL TOLERANCES (UNLESS SPECIFIED)			DIMENSION STYLE MM ONLY		SCALE ---	DESIGN UNITS METRIC	THIRD ANGLE PROJECTION
	0.25 UNDER	UNDER	±0.03	DRAWN BY M. NABE I	DATE '04/03/16	TITLE 53856-5070/5071 TAPING PACKAGE -LEAD FREE-		
	0.25 OVER	0.5 UNDER	±0.05	CHECKED BY K. TOJO	DATE '04/03/16	molex		
	0.5 OVER	1.0 UNDER	±0.1	APPROVED BY M. SASAO	DATE '04/03/16			
	1.0 OVER	10 UNDER	±0.2	MATERIAL NO.	DOCUMENT NO.	SHEET NO.		
30 OVER		±0.3	SEE CHART		SD-53856-008		1 OF 2	
ANGULAR ±3 °				DRAFT WHERE APPLICABLE MUST REMAIN WITHIN DIMENSIONS		THIS DRAWING CONTAINS INFORMATION THAT IS PROPRIETARY TO MOLEX INCORPORATED AND SHOULD NOT BE USED WITHOUT WRITTEN PERMISSION		

**CONFIDENTIAL**

※管理者以外のコピー及び配布を禁ずる

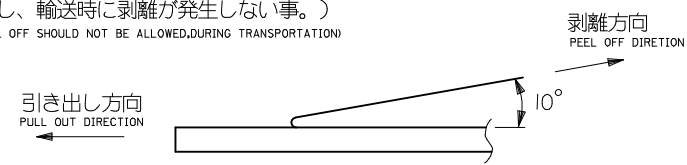
注)  
NOTES

- 製品番号 53856-5070/53856-5071 の詳細寸法については、SD-53856-007 を参照下さい。  
IN THE PACKAGE , PART NO. 53856-5070/53856-5071 DETAILED DIMENSIONS , SEE SD-53856-007
- 梱包数量 : 280個/リール  
NUMBER OF CONNECTORS : 280 PCS/REEL
- リードテープ長さ  
LEAD TAPE LENGTH



- トップテープの剥離強度 : (剥離方向は下図参照)  
PEELING OFF FORCE OF TOP TAPE (PEELING DIRECTION AS SHOWN IN FOLLOWING FIG.)  
0.1~1.3N {10~130gf} : キャリアテープ幅 7.2mm  
CARRIER TAPE WIDTH 7.2mm

尚、本規格値は、出荷時に適用。  
THIS REQUIREMENT SHOULD BE APPLIED AT SHIPMENT  
(但し、輸送時に剥離が発生しない事。)  
(PEEL OFF SHOULD NOT BE ALLOWED, DURING TRANSPORTATION)



- 材料  
MATERIAL  
キャリアテープ : ポリプロピレン (PP)  
CARRIER TAPE : POLYPROPYLENE (PP)  
トップテープ : PET, PE, PEF  
TOP TAPE : PET, PE, PEF  
リール : 紙  
REEL : CARD BOARD
- 本製品は 53856-501\* の鉛フリー品である。  
THIS PRODUCT IS LEAD FREE OF 53856-501\*

BLACK	53856-5071	53856-5079
WHITE	53856-5070	53856-5078
HOUSING COLOR	PART No.	MATERIAL No.
	53856-507*	MODEL No.

REVISED EC NO: J2015-1214 DRW:RWATANABE01 2015/03/11 CHKD:AMIZUMURA 2015/03/18 APPR:MYAGI 2015/03/23	GENERAL TOLERANCES (UNLESS SPECIFIED)			DIMENSION STYLE MM ONLY		SCALE ---	DESIGN UNITS METRIC	THIRD ANGLE PROJECTION
	0.25 UNDER	UNDER	±0.03	DRAWN BY M. NABE I	DATE '04/03/16	TITLE 53856-5070/5071 TAPING PACKAGE -LEAD FREE-		
	0.25 OVER	0.5 UNDER	±0.05	CHECKED BY K. TOJO	DATE '04/03/16	molex		
	0.5 OVER	1.0 UNDER	±0.1	APPROVED BY M. SASAO	DATE '04/03/16			
1.0 OVER	10 UNDER	±0.2	MATERIAL NO. SEE CHART		DOCUMENT NO. SD-53856-008	SHEET NO. 1 OF 2		
10 OVER	30 UNDER	±0.25	DRAFT WHERE APPLICABLE MUST REMAIN WITHIN DIMENSIONS					
30 OVER		±0.3	SIZE A3					
ANGULAR	±3 °		THIS DRAWING CONTAINS INFORMATION THAT IS PROPRIETARY TO MOLEX INCORPORATED AND SHOULD NOT BE USED WITHOUT WRITTEN PERMISSION					

**CONFIDENTIAL**

※管理者以外のコピー及び配布を禁ずる

10 9 8 7 6 5 4 3 2 1

F

E

D

C

B

A

F

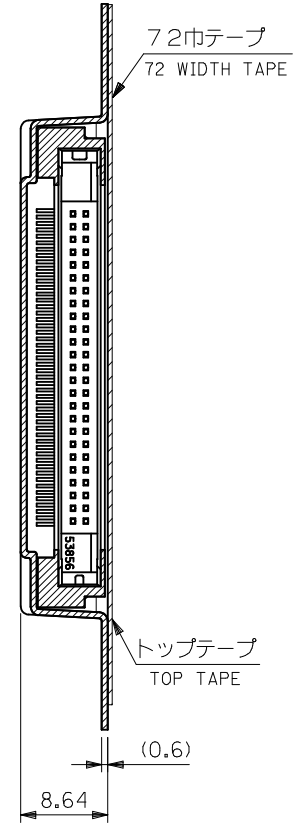
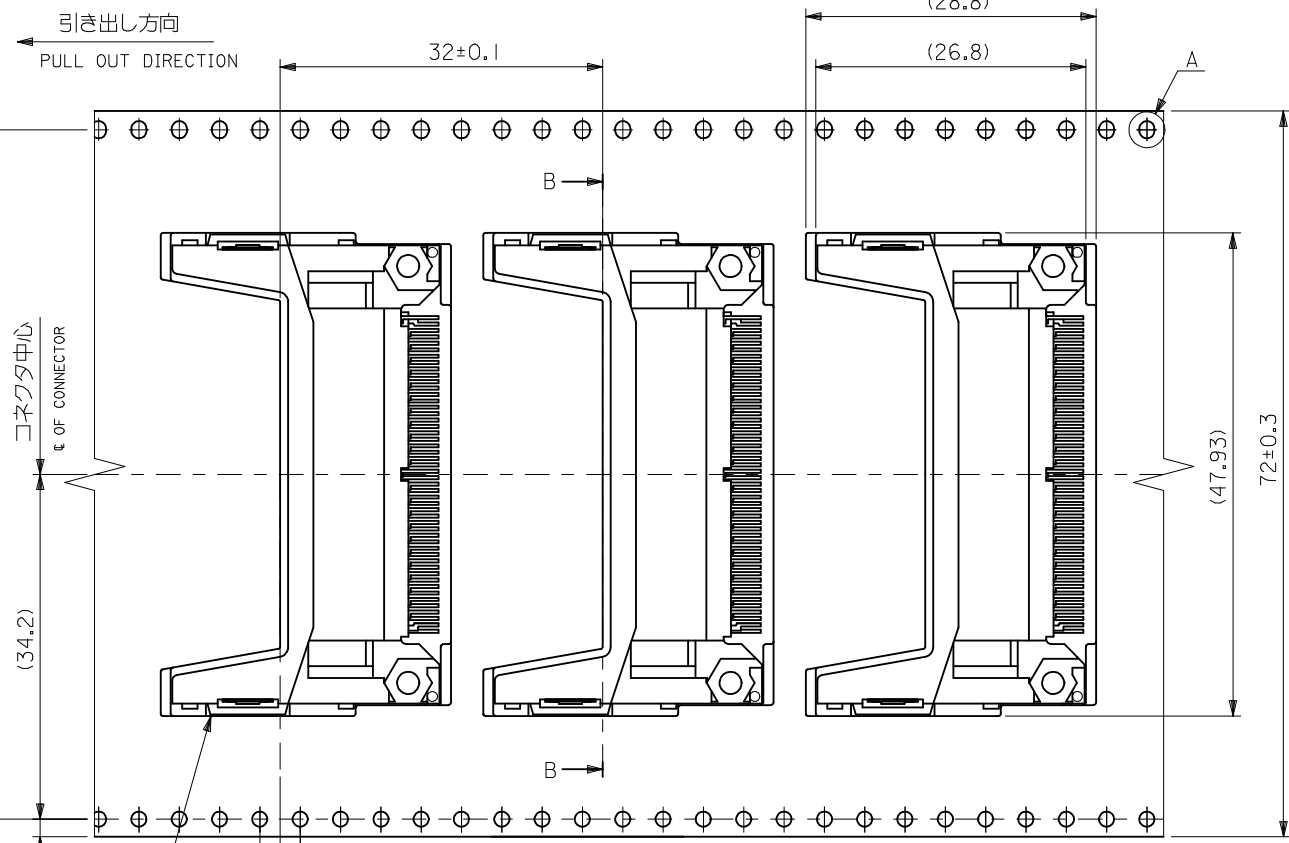
E

D

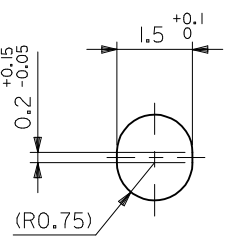
C

B

A



断面 B - B  
SECTION B-B



A部詳細  
SCALE: 10-1

53856-507\*  
累積ピッチ : 40±0.2  
ACCUMULATIVE  
PITCH : 40±0.2

REVISED EC NO: J2015-1214 DRW:RWATANABE01 2015/03/11 CHK:D:MIYAZUMURA 2015/03/18 APPR:MYAGI 2015/03/23	GENERAL TOLERANCES (UNLESS SPECIFIED)		DIMENSION STYLE MM ONLY		SCALE ---	DESIGN UNITS METRIC	THIRD ANGLE PROJECTION	
	0.25 UNDER	UNDER	±0.03	DRAWN BY M. NABEI	DATE '04/03/16	TITLE 53856-5070/5071 TAPING PACKAGE -LEAD FREE-		
	0.25 OVER	0.5 UNDER	±0.05	CHECKED BY K. TOJO	DATE '04/03/16			
	0.5 OVER	1.0 UNDER	±0.1	APPROVED BY M. SASAO	DATE '04/03/16			
1.0 OVER	30 UNDER	±0.2	MATERIAL NO.		DOCUMENT NO.	SHEET NO.		
30 OVER		±0.3	SEE SHEET 1		SD-53856-008	2 OF 2		
ANGULAR ±3 °			THIS DRAWING CONTAINS INFORMATION THAT IS PROPRIETARY TO MOLEX INCORPORATED AND SHOULD NOT BE USED WITHOUT WRITTEN PERMISSION					
DRAFT WHERE APPLICABLE MUST REMAIN WITHIN DIMENSIONS			SIZE A3					

9 8 7 6 5 4 3 2 1

**CONFIDENTIAL**

※管理者以外のコピー及び配布を禁ずる

10 9 8 7 6 5 4 3 2 1

F

E

D

C

B

A

F

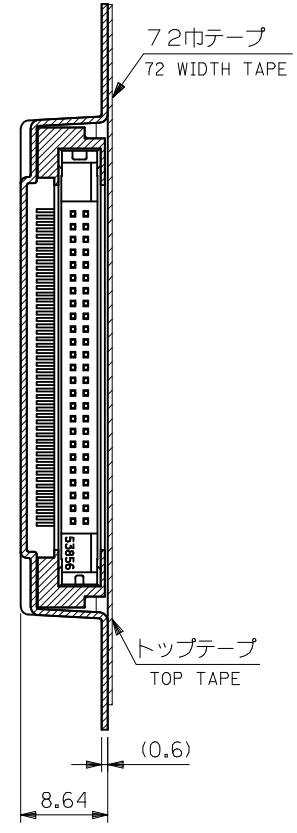
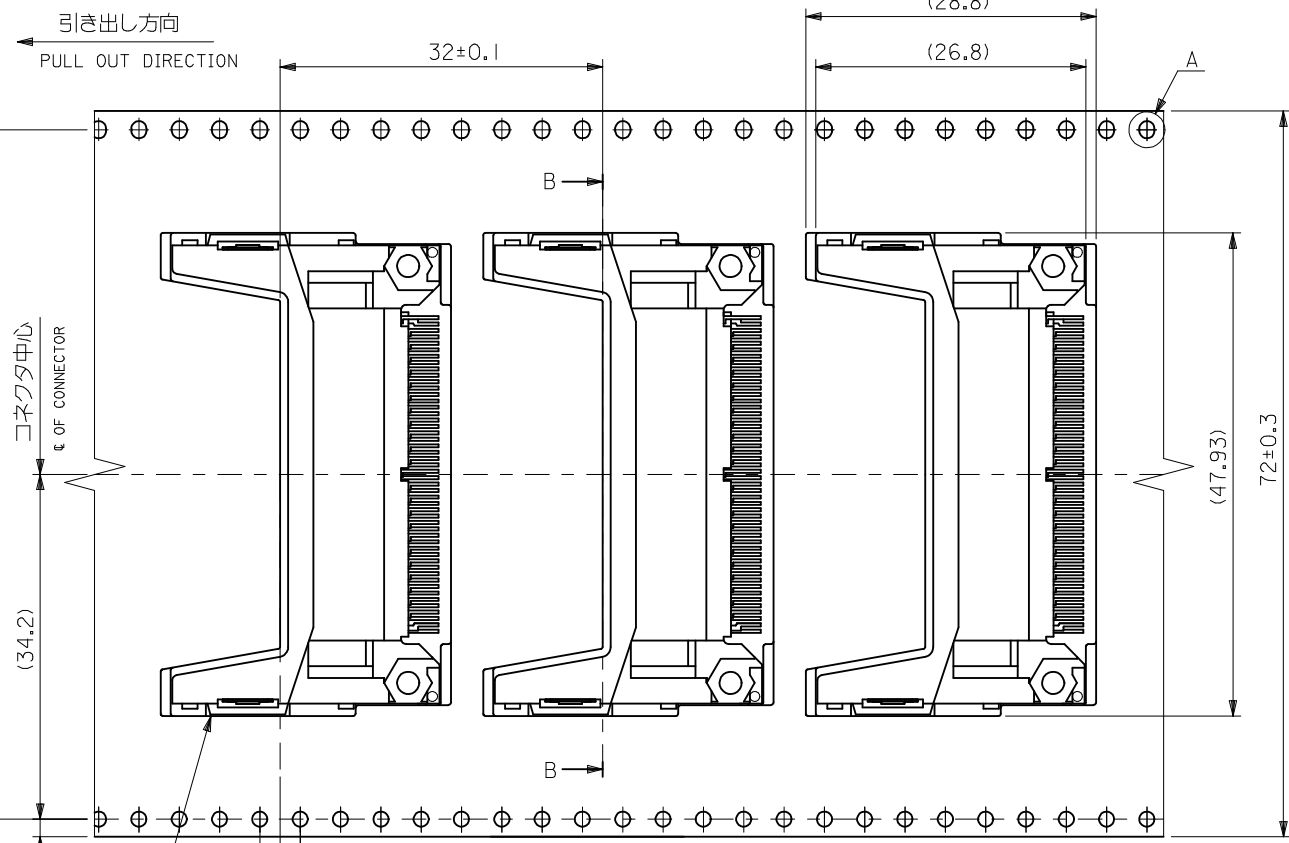
E

D

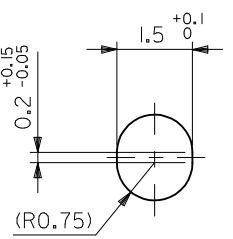
C

B

A



断面 B - B  
SECTION B-B



A部詳細  
SCALE: 10-1

53856-507\*  
累積ピッチ : 40±0.2  
ACCUMULATIVE  
PITCH : 40±0.2

REVISED EC NO: J2015-1214 DRW:RWATANABE01 2015/03/11 CHK:D:MIYAZUMURA 2015/03/18 APPR:MYAGI 2015/03/23	GENERAL TOLERANCES (UNLESS SPECIFIED)		DIMENSION STYLE MM ONLY		SCALE ---	DESIGN UNITS METRIC	THIRD ANGLE PROJECTION
	0.25 UNDER	UNDER	±0.03	DRAWN BY M. NABEI	DATE '04/03/16	TITLE 53856-5070/5071 TAPING PACKAGE -LEAD FREE-	
	0.25 OVER	0.5 UNDER	±0.05	CHECKED BY K. TOJO	DATE '04/03/16	<b>molex</b> DOCUMENT NO. SD-53856-008 SHEET NO. 2 OF 2	
	0.5 OVER	1.0 UNDER	±0.1	APPROVED BY M. SASAO	DATE '04/03/16		
1.0 OVER	30 UNDER	±0.2	MATERIAL NO.		SEE SHEET 1		
30 OVER		±0.3	SIZE A3		THIS DRAWING CONTAINS INFORMATION THAT IS PROPRIETARY TO MOLEX INCORPORATED AND SHOULD NOT BE USED WITHOUT WRITTEN PERMISSION		
ANGULAR		±3 °	DRAFT WHERE APPLICABLE MUST REMAIN WITHIN DIMENSIONS				

9 8 7 6 5 4 3 2 1