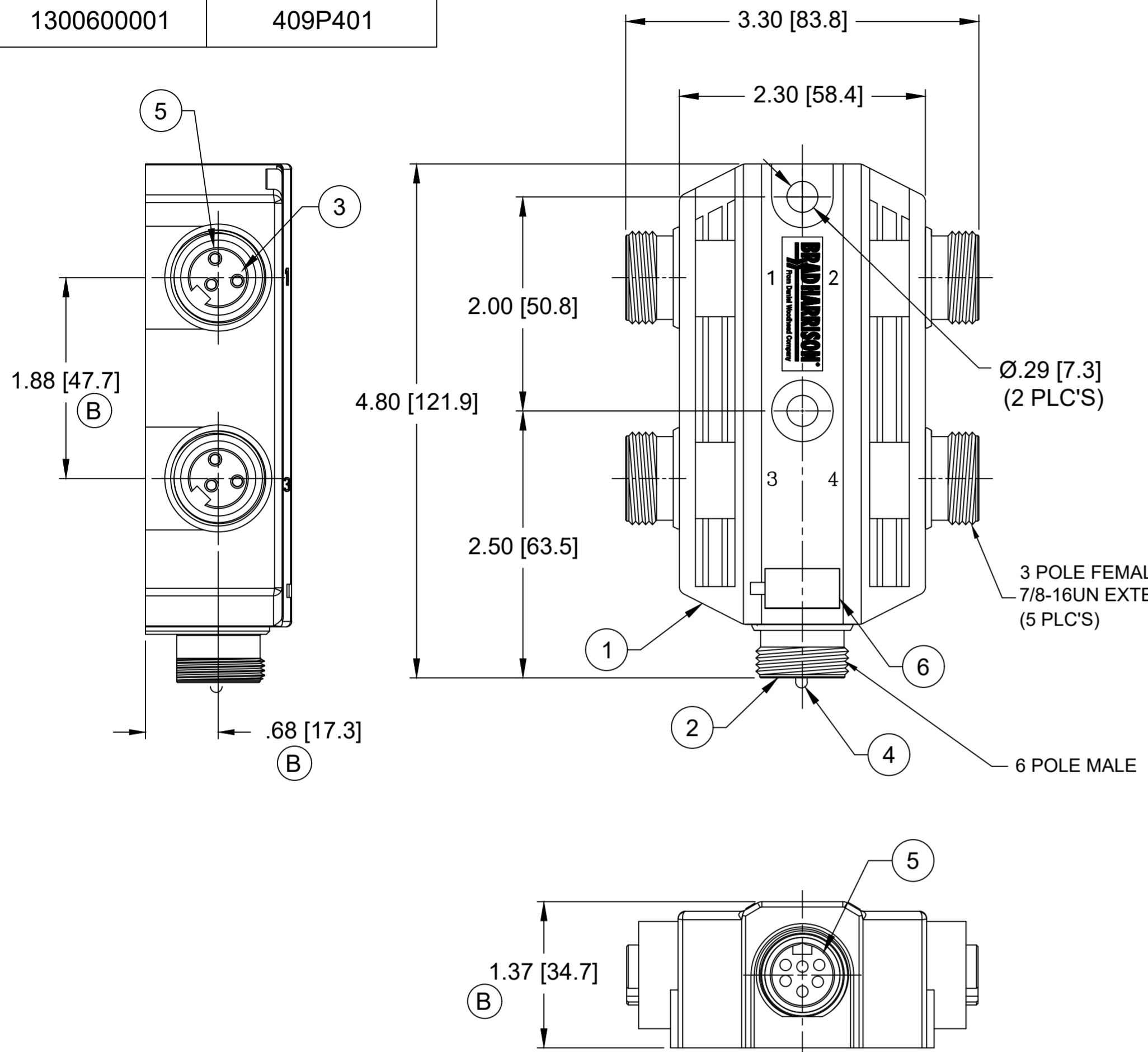
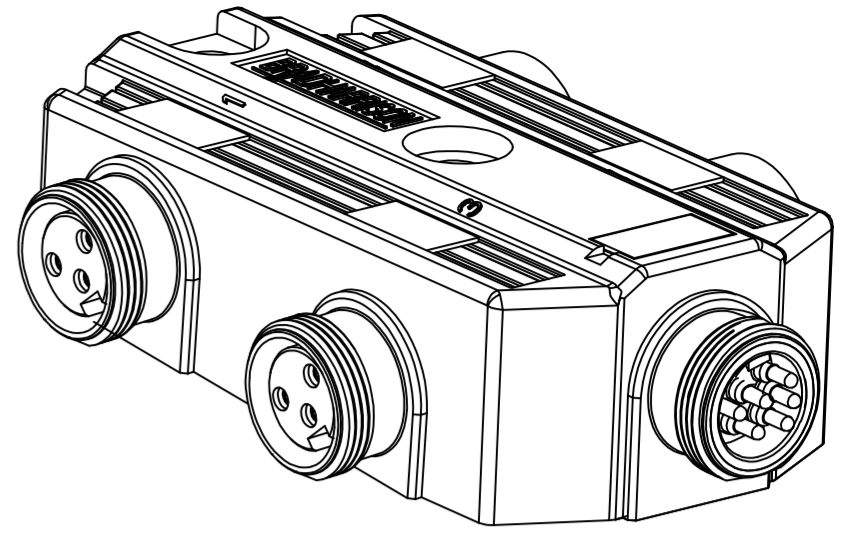
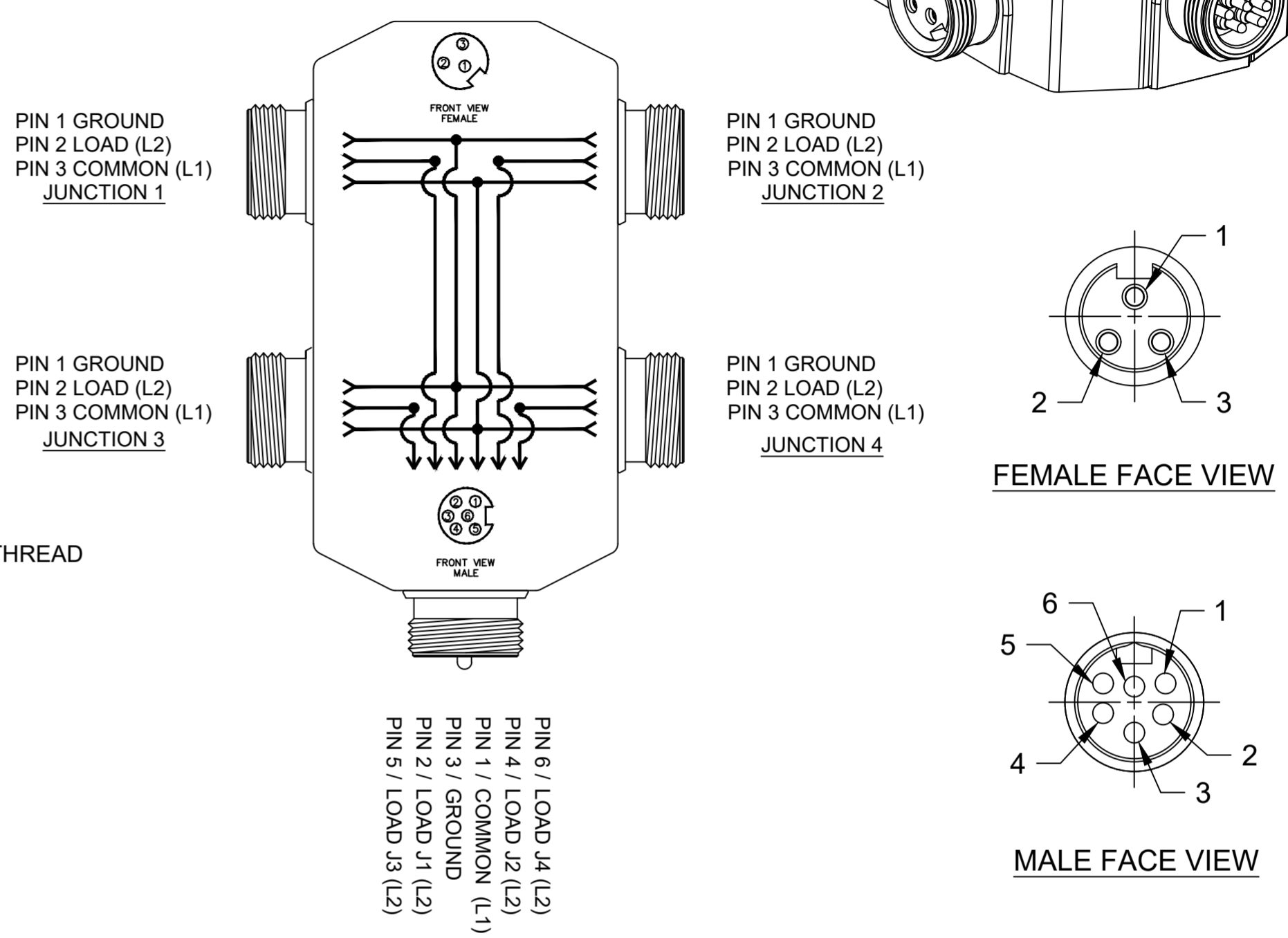


MATERIAL NUMBER	ENGINEERING NUMBER
1300600001	409P401

**DIMENSIONAL**



**SCHEMATIC**



**NOTES:**

- MATERIAL: AS NOTED
- FINISH: AS NOTED
- ELECTRICAL:  
VOLTAGE RATING: 600 VAC/VDC  
CURRENT: 7A
- TEMP RATING: -20° TO +90°C
- PROTECTION: IP67 (WHEN MATED)
- COUPLING THREAD- AS NOTED
- CSA CERTIFIED FILE: LR6837 (B)
- ALL DIMENSIONS ARE FOR REFERENCE UNLESS TOLERANCED OR NOTED OTHERWISE

6	LABEL	ABS	WHITE
5	INSERT	TPE	YELLOW
4	CONTACT PIN	COPPER ALLOY	GOLD OVER NICKEL
3	CONTACT SOCKET	COPPER ALLOY	GOLD OVER NICKEL
2	RECEPTACLE SHELL	ZINC DIE CAST	BLACK E-COAT
1	HOUSING	PBT	YELLOW
<b>ITEM</b>	<b>COMPONENT</b>	<b>MATERIAL</b>	<b>FINISH</b>

FUNCTIONAL SYMBOLS FA=0 FC=0 FD=0	DIMENSION UNITS	SCALE	CURRENT REV DESC: ITEM #5 WAS PVC. UPDATED CSA CERTIFICATION. ADDED DIMENSIONS AS INDICATED.	
	INCH/MM	NTS		
	GENERAL TOLERANCES (UNLESS SPECIFIED)			
		mm	INCH	
DIVISIONAL SYMBOLS	4 PLACES	±----	±----	EC NO: 698297
	3 PLACES	±----	±----	DRWN: ABENJAMINLW 2021/06/08
	2 PLACES	±----	±----	CHK'D: RSTONE 2022/03/16
	1 PLACE	±----	±----	APPR: BWOODMAN 2022/03/26
	0 PLACES	±----	±----	INITIAL REVISION:
	ANGULAR TOL	± ---- °		DRWN: TWOLDEGE 2010/01/22
	DRAFT WHERE APPLICABLE MUST REMAIN WITHIN DIMENSIONS			APPR: JFMURPHY 2010/01/29
	THIRD ANGLE PROJECTION	DRAWING	SERIES	DOCUMENT NUMBER
		C-SIZE	130060	SD-130060-003
				DOC TYPE/DOC PART
				PSD 001
				REVISION
				B
				SHEET NUMBER
				1 OF 1