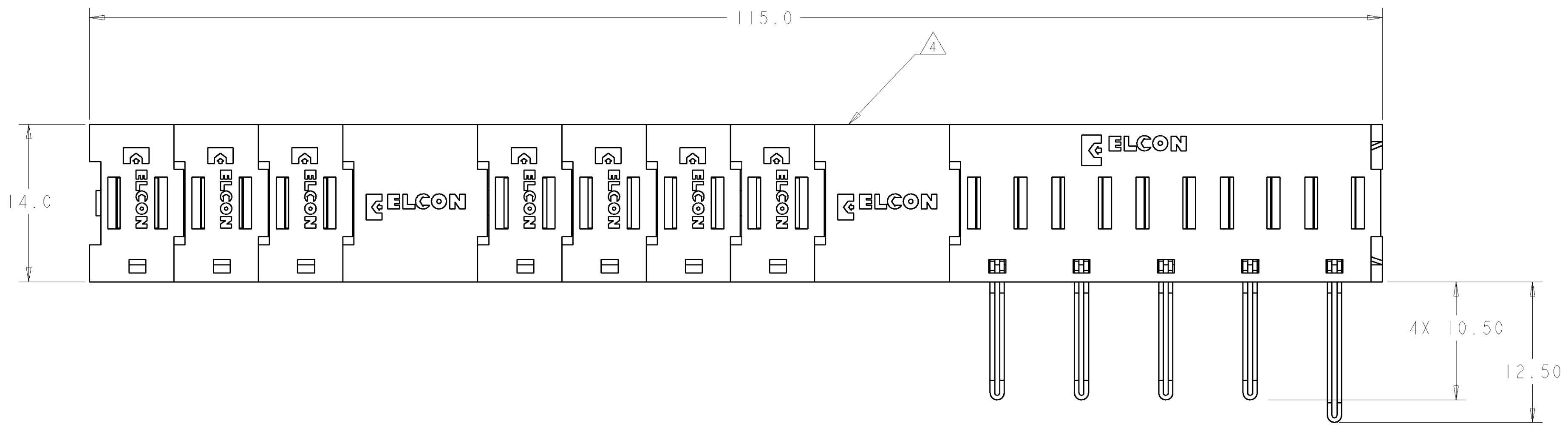


LOC	DIST	REVISIONS					
GP	00	P	LTR	DESCRIPTION	DATE	DWN	APVD
		A		NEW RELEASE	02OCT2007	RG	PD



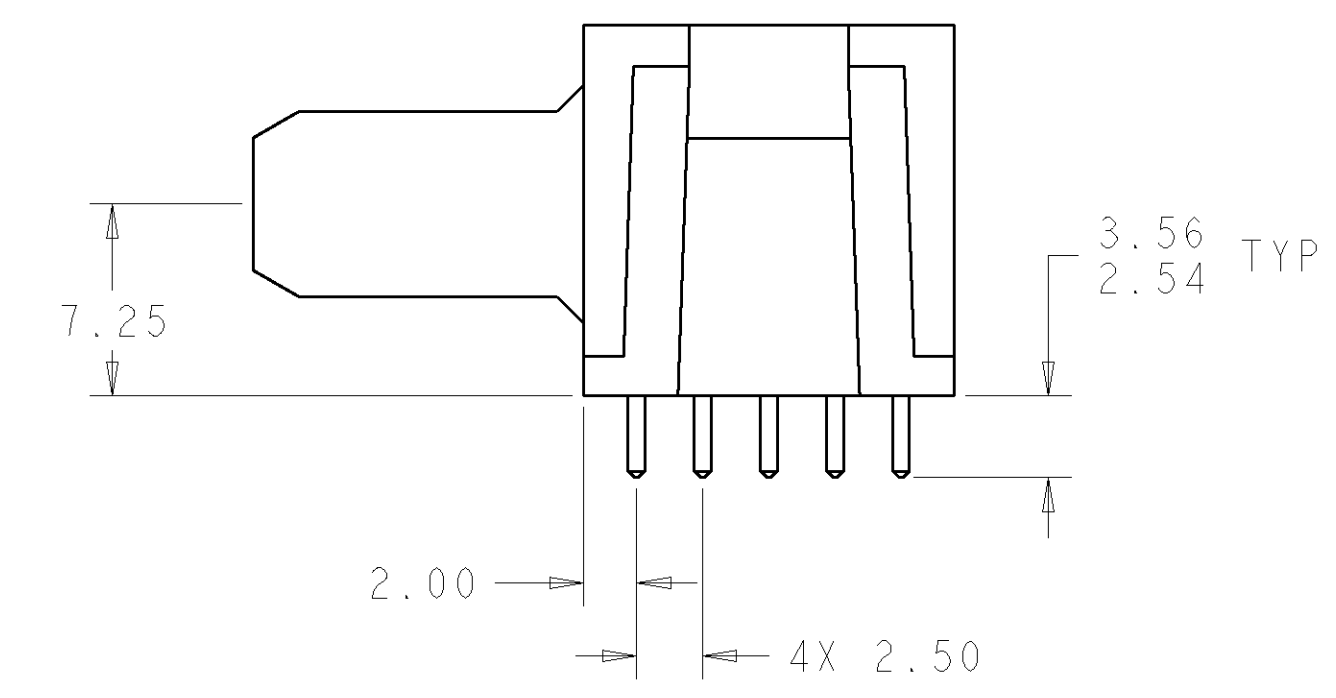
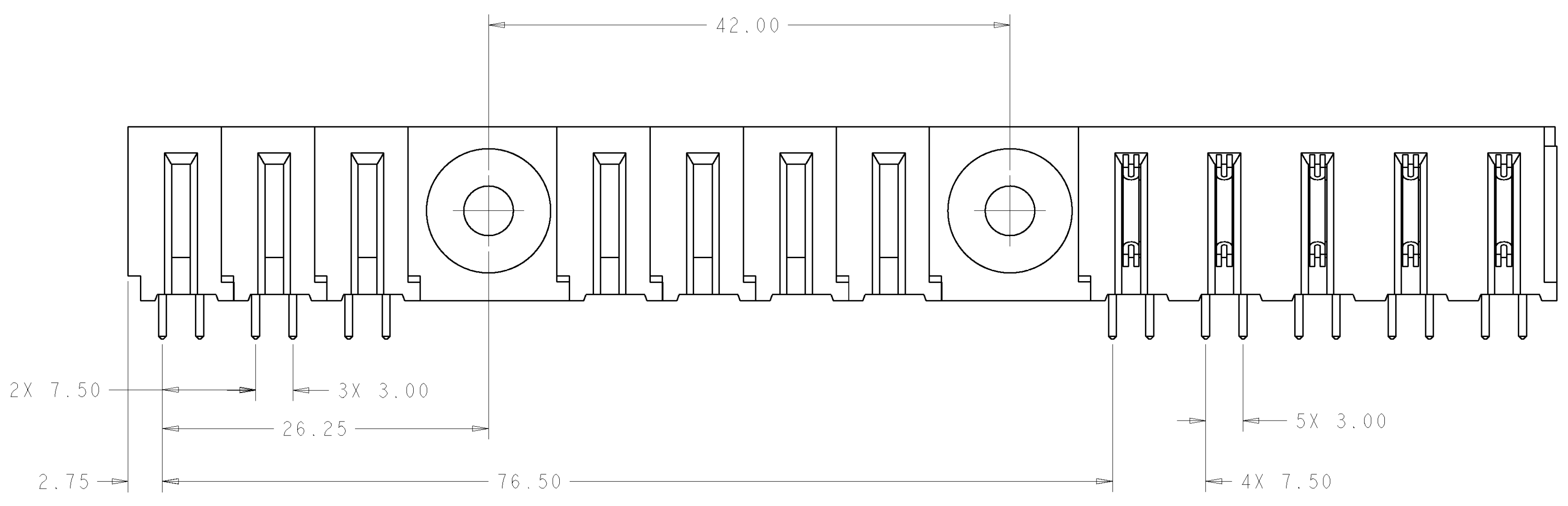
- PART NUMBER CHANGES AND OR DESIGN CHANGES AFFECTING ITEM INTERCHANGEABILITY REQUIRE PRIOR TYCO ELECTRONICS APPROVAL AND AUTHORIZATION BY REVISION TO THIS DRAWING.
- MATERIAL:  
 INSULATORS - THERMOPLASTIC, GLASS REINFORCED,  
 COLOR: BLACK, UL94V-0 FLAMMABILITY RATED.  
 POWER CONTACTS - PHOSPHOR BRONZE ALLOY,  
 COPPER ALLOY  
 CROWN BAND-BERYLLIUM COPPER ALLOY
- FINISH:  
 CONTACTS - GOLD PLATE .76µM MIN. THK., OVER NICKEL  
 1.27µM MIN. THK  
 SOLDER TAILS, TIN 3.05µM MIN. THK.  
 OVER NICKEL 1.27µM MIN THK.

△ ITEMS PROVIDED TO THIS SPECIFICATION TO BE PERMANENTLY IDENTIFIED PER THE FOLLOWING IDENTIFIER LABEL

YEAR    WEEK   

TYCO ELECTRONICS P/N      DATE CODE (e.g. 0T06)

XXXXXXXX-X      XXXX



**ELCON** **FLATPAQ**

AS SHOWN	6766498-1
DESCRIPTION	PART NUMBER

<small>THIS DRAWING IS UNPUBLISHED. RELEASED FOR PUBLICATION BY TYCO ELECTRONICS CORPORATION. ALL RIGHTS RESERVED.</small>		DWN: R. GRZYBOWSKI ZOC107 ENR: P. DAMATO ZOC107 APVD: S. FLICKINGER ZOC107	Tyco Electronics Harrisburg, PA 17105-3608
DIMENSIONS: mm [INCHES]	TOLERANCES UNLESS OTHERWISE SPECIFIED: 0 PLC ±.5 1 PLC ±.5 2 PLC ±.25 3 PLC ±.25 4 PLC ±.25 ANGLES ±.5	NAME: PIN CONNECTOR, RIGHT ANGLE SOLDER TAILS PRODUCT SPEC: - APPLICATION SPEC: - WEIGHT: - FINISH: -	SIZE: A   00779 C=6766498 SCALE: 3:1 SHEET 1 OF 3 REV A
MATERIAL: - FINISH: -		CUSTOMER DRAWING	RESTRICTED TO: -

LOC	DIST	REVISIONS			
P	LTR	DESCRIPTION	DATE	DNW	APVD
-	-	SEE SHEET 1	-	-	-



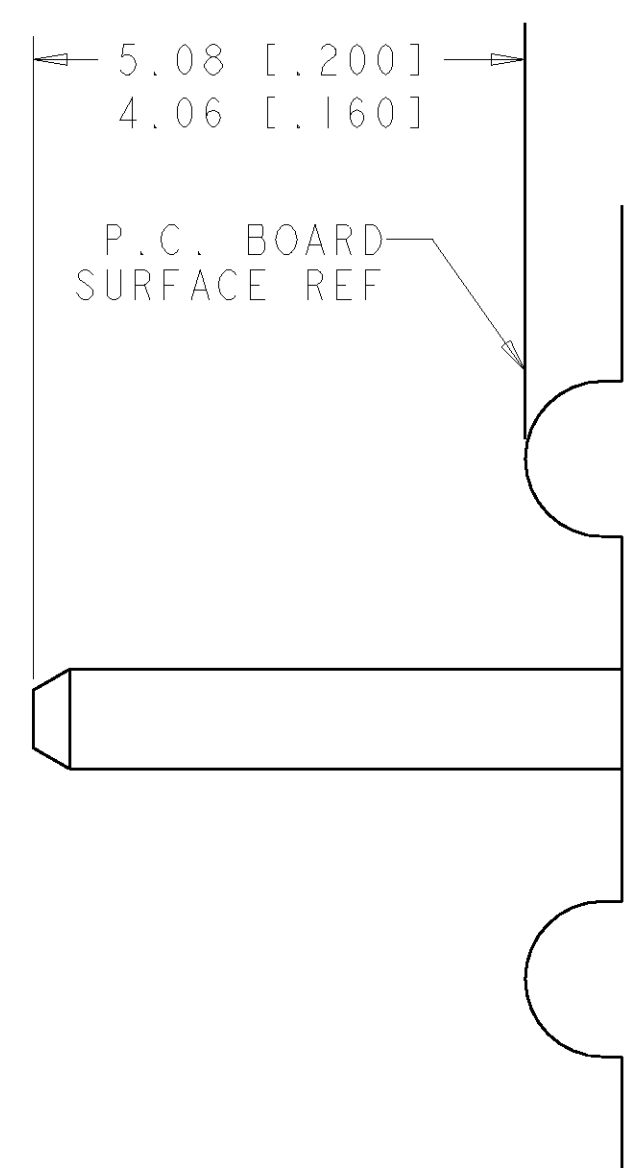
PRINTED CIRCUIT LAYOUT  
 COMPONENT SIDE

CONNECTOR	EQUIVALENT CATALOG MODULE #	MODULE QTY	CONTACT QTY	SIZE NO.	MATING PIN	MAX. CURRENT (PER CONTACT)	CONTACT SPACING	VOLTAGE RATING
PIN	FP105	4	4	8	1.25 X 7.00 [.049 X .276]	35 amps	7.50 [.2953]	250 VOLTS
	FP106	1	1	8	1.25 X 7.00 [.049 X .276]	35 amps	7.50 [.2953]	250 VOLTS
	FP104	3	3	8	1.25 X 7.00 [.049 X .276]	35 amps	7.50 [.2953]	250 VOLTS
	FP512	4	RIGHT ANGLE SPACER					
	FP506	2	RIGHT ANGLE GUIDE SOCKET					

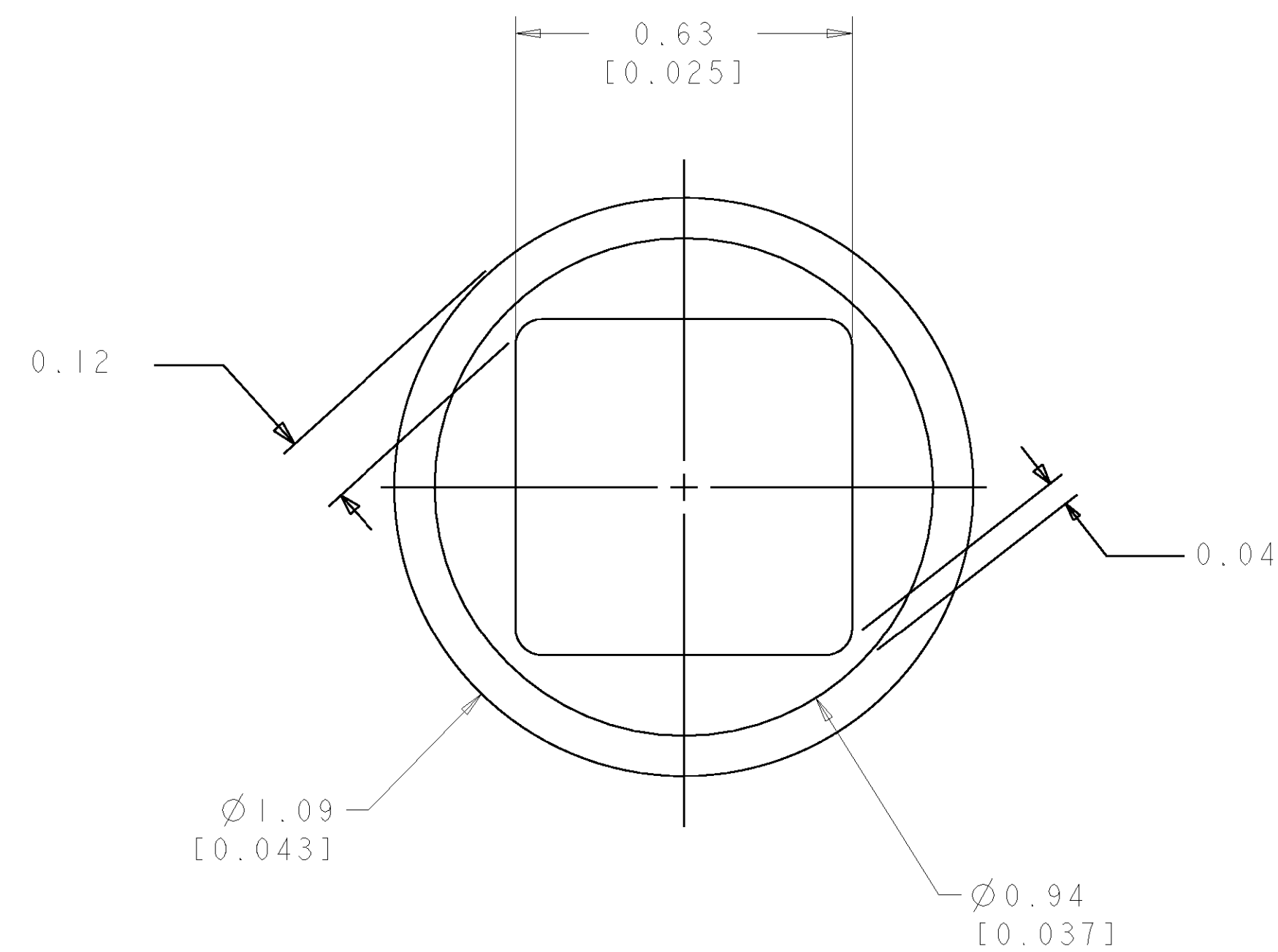
ELCON FLATPAQ

DIMENSIONS: mm [ INCHES ]		TOLERANCES UNLESS OTHERWISE SPECIFIED: 0 PLC ±.5 1 PLC ±.5 2 PLC ±.25 3 PLC ±.5 4 PLC ±.5 ANGLES ±.5		DWN B. GRZYBOWSKI ZOCT07 ENR P. DAMATO ZOCT07 APVD S. FLICKINGER ZOCT07		Tyco Electronics Harrisburg, PA 17105-3608	
MATERIAL - FINISH -		WEIGHT - CUSTOMER DRAWING		NAME PIN CONNECTOR, RIGHT ANGLE SOLDER TAILS		SIZE CAGE CODE DRAWING NO A 100779 C-6766498	
SCALE 3:1		SHEET 2 OF 3		REV A		RESTRICTED TO	

LOC	DIST	REVISIONS					
GP	00	P.	LTR	DESCRIPTION	DATE	DWN	APVD
-	-	-	-	SEE SHEET 1	-	-	-



5. SOLDER PIN DETAIL  
SCALE 10:1



6 SOLDER TERMINATION AREA  
SCALE 40:1  
RECOMMENDED PRINTED CIRCUIT SOLDER HOLE  
FINISHED HOLE: Ø1.02 [.040] ±.08 [.003]  
DRILLED HOLE: Ø1.15 [.0453] ±.013 [.0005]  
COPPER PLATE: .025 [.0010] MIN.  
TIN PLATE: .008 [.0003] MIN. (PER SURFACE)

<small>THE DIMENSIONS OF DIMENSIONS SHOWN ON THIS DRAWING ARE UNLESS OTHERWISE SPECIFIED IN THE DIMENSIONS LISTED IN THE DIMENSIONS LIST OR OTHERWISE SPECIFIED IN THE DIMENSIONS LIST.</small>		DWN: B. GRZYBOWSKI ZOC107 ENR: P. DAMATO ZOC107 APVD: S. FLICKINGER ZOC107	Tyco Electronics Harrisburg, PA 17105-3608
DIMENSIONS: mm [INCHES]	TOLERANCES UNLESS OTHERWISE SPECIFIED: 0 PLC ±. 1 PLC ±.5 2 PLC ±.25 3 PLC ±. 4 PLC ±. ANGLES ±.5 FINISH	NAME: PIN CONNECTOR, RIGHT ANGLE SOLDER TAILS PRODUCT SPEC: APPLICATION SPEC: WEIGHT: CUSTOMER DRAWING	SIZE: A   00779 C=6766498 SCALE: 3:1 SHEET 3 OF 3 REV A