

PRODUCT NUMBER
10021507-104TRLF

PLATING
1 = 0.76µm GOLD/GXT ON CONTACT AREA
2.0µm MIN MATTE TIN ON TAILS

RoHS COMPATIBLE, SEE NOTE 5

PACKAGING
SEE NOTE 3

TOTAL NUMBER OF POS

1.27µm Ni MIN UNDERPLATING

NOTES:

- 1 - HOUSING MATERIAL : LCP
- 2 - TERMINAL MATERIAL : PHOSPHORE BRONZE
- 3 - PACKAGING TR = TAPE & REEL (SEE TA845 FOR PACKAGING SPECS)
- 4 - HOLE DIMENSION TO BE : $\varnothing 1.95 \pm 0.07$ FOR NON INTERFERENCE FIT (LOCATIONAL) APPLICATIONS

5 - RoHS COMPATIBLE PRODUCT SPECIFICATIONS

a - PLATING:

- "LF" MEANS THE PRODUCT IS LEAD-FREE,

b - MANUFACTURING PROCESS COMPATIBILITY

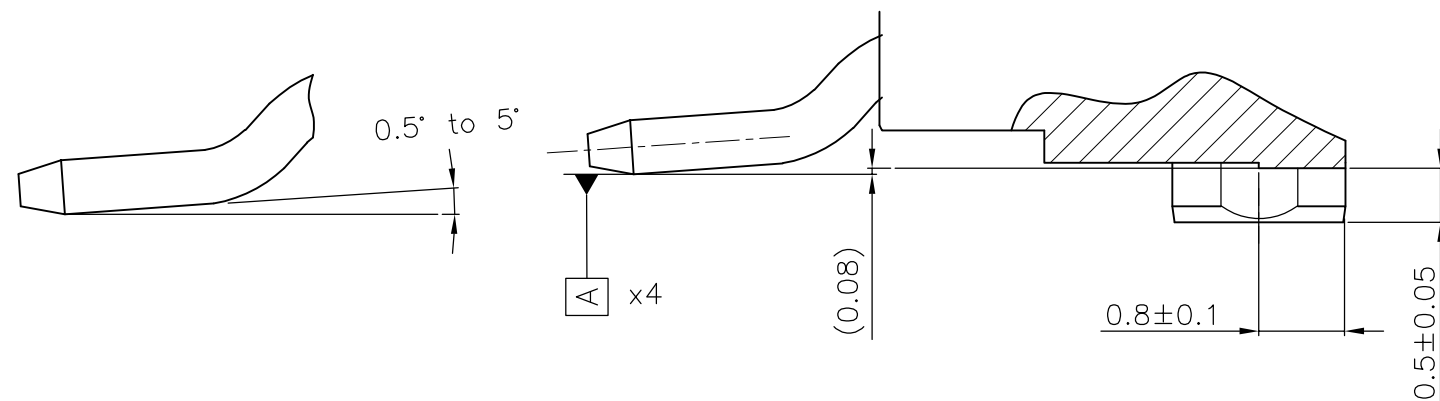
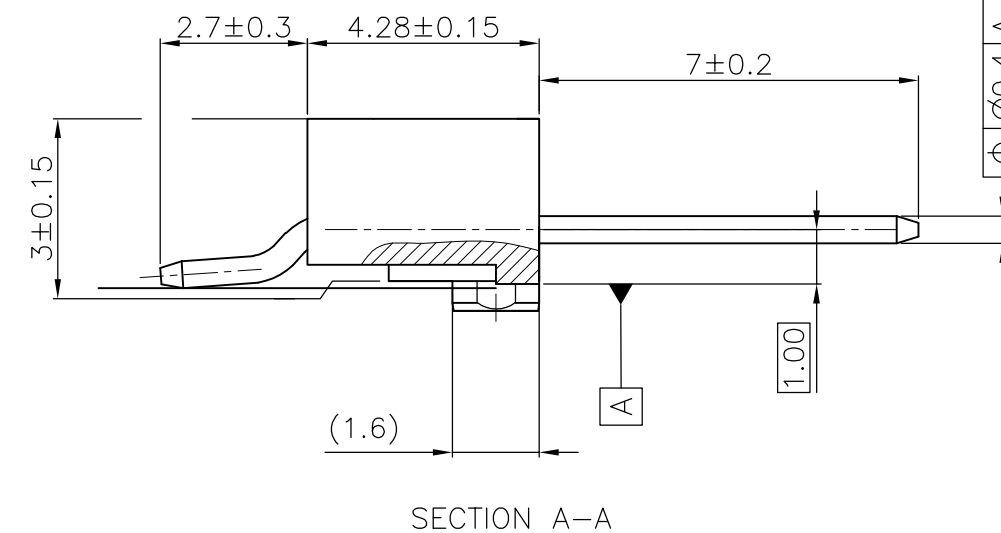
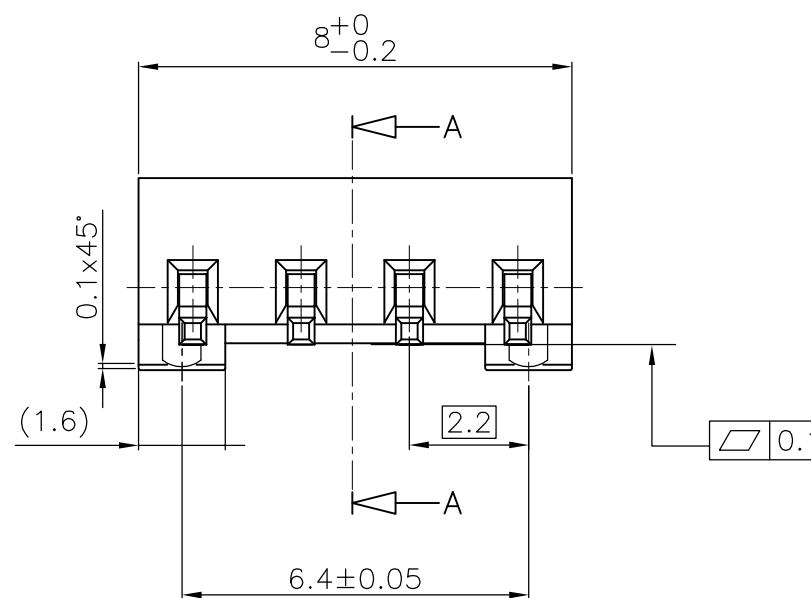
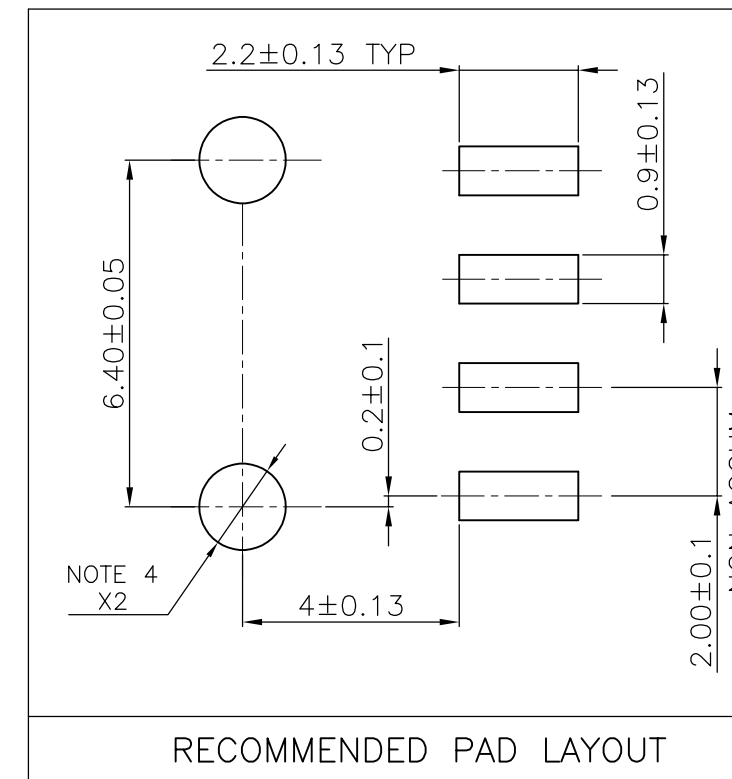
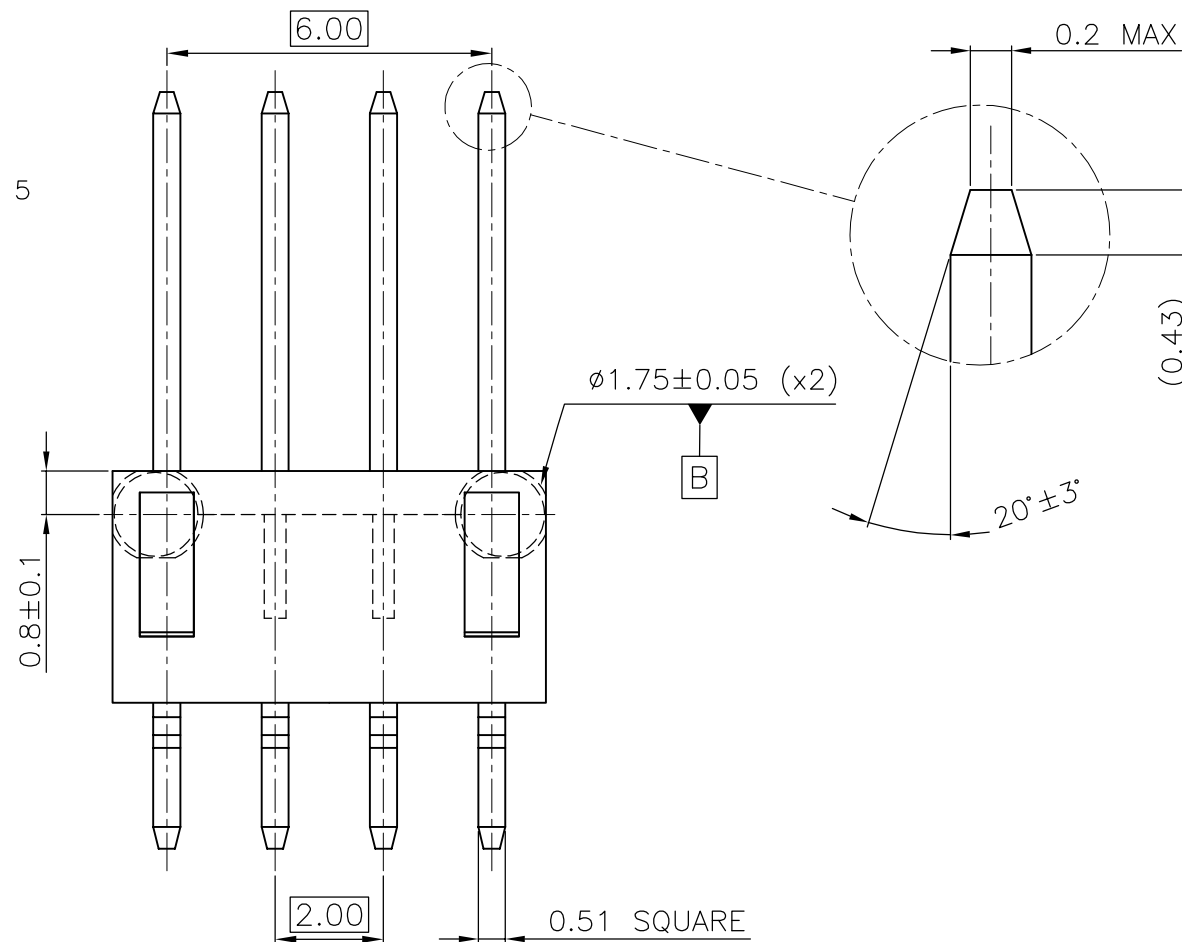
- THE HOUSING WILL WITHSTAND EXPOSURE TO 260°C PEAK TEMPERATURE FOR 30 SECONDS MAX IN A CONVECTION, INFRA-RED OR VAPOR PHASE OR REFLOW OVEN.

c - LABELLING:

- MEETS PACKAGING SPECS AS PER GS-14-920

d - LEGAL STATEMENT : SEE GS-47-0004

6 - CUSTOMER PART NUMBER : 99304882



mat'l. code SEE NOTES				surface ISO 1302 ✓	tolerance ISO 406 ISO 1101	projection mm	product family MINITEK
ltr	ecn no	dr	date	tolerances unless otherwise specified		scale N/A	title UNKEYED MINITEK SI
A	F05-0414	LMU	05.12.14	angles	linear		
B	F12-0031	JCO	12.03.20				dwg no 10021507
C	B-16900	JCO	14.02.03				
D	B-19190	LMU	14.10.24	dr	L.MULIN	05.12.14	sheet 1 of 1
E	F-27876	LMU	17.08.31	enr	J.COMPAGNON	05.12.14	
F	F-28101	LMU	17.10.06	chr	---	---	type CUSTOMER Draw
				appd	JM.C	05.12.14	
sheet index	revision sheet						