

Edgemax LED Module



Features

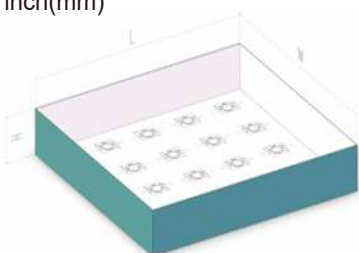
- Chain of 30 LED modules with single LED each.
- High efficiency LED.
- High color consistency.
- Beam characteristic: 160°.
- Protection class of LED module: IP67.
- Flexible chain, can be split between any module.
- Mounting with screw or remounted double-sided adhesive tape possible.
- Fully integrated heat sink.
- Nominal life-time up to 50,000 h (at tc 50°C).
- Best for 120~180mm depth light boxes and channel letters.
- Warranty : 5 years.

Specification

Dimension	1.6*1.4"(41*36mm)
Power	1.44W±10%
Working voltage	12V
Driving mode	Constant current
Center distance	8.9"(225mm)
Cascading	30pcs
Working temp	-25~+50°C
Storage temp	-40~+85°C
IP grade	IP67

Application notes

Unit: inch(mm)



WLM-LED-ABS-12V-041036-2835-1

Technical data

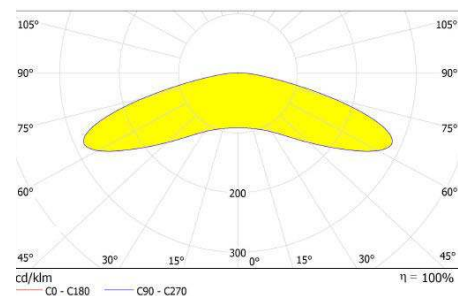
Color temperature or Wavelength	6500K
CRI	>70
Typ.Flux per module	144lm

Application data

Module number per Chain	30pcs
Max. module number per Chain	30pcs
Distance of modules(wire)	7.3"(185mm)
Max.temperature on module tc	65°C
Risk group(EN 62471:2008)	1
Certification list	CE/ENEC/RoHS/UL

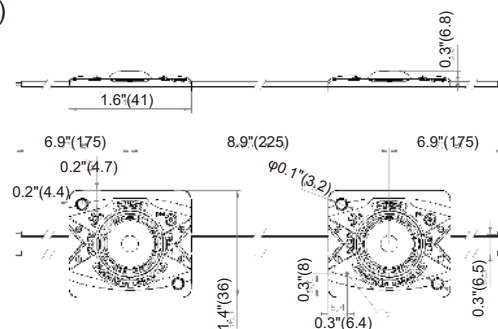
Light distribution

Beam characteristic 160°



Profile drawings

Unit: inch(mm)



Packaging information

Weight per pc	Packaging,low volume	Packaging,high volume
14.5g	90pc(s)	1.3kg 1440 pc(s) 23.0 kg

		Depth	Brightness
1m² Light Box	12 Modules	H=2.4"(60mm)	2600 lux
		H=2.8"(70mm)	2300 lux
		H=3.1"(80mm)	2050 ux
		H=3.5"(90mm)	1650 lux
		H=3.9"(100mm)	1350 lux