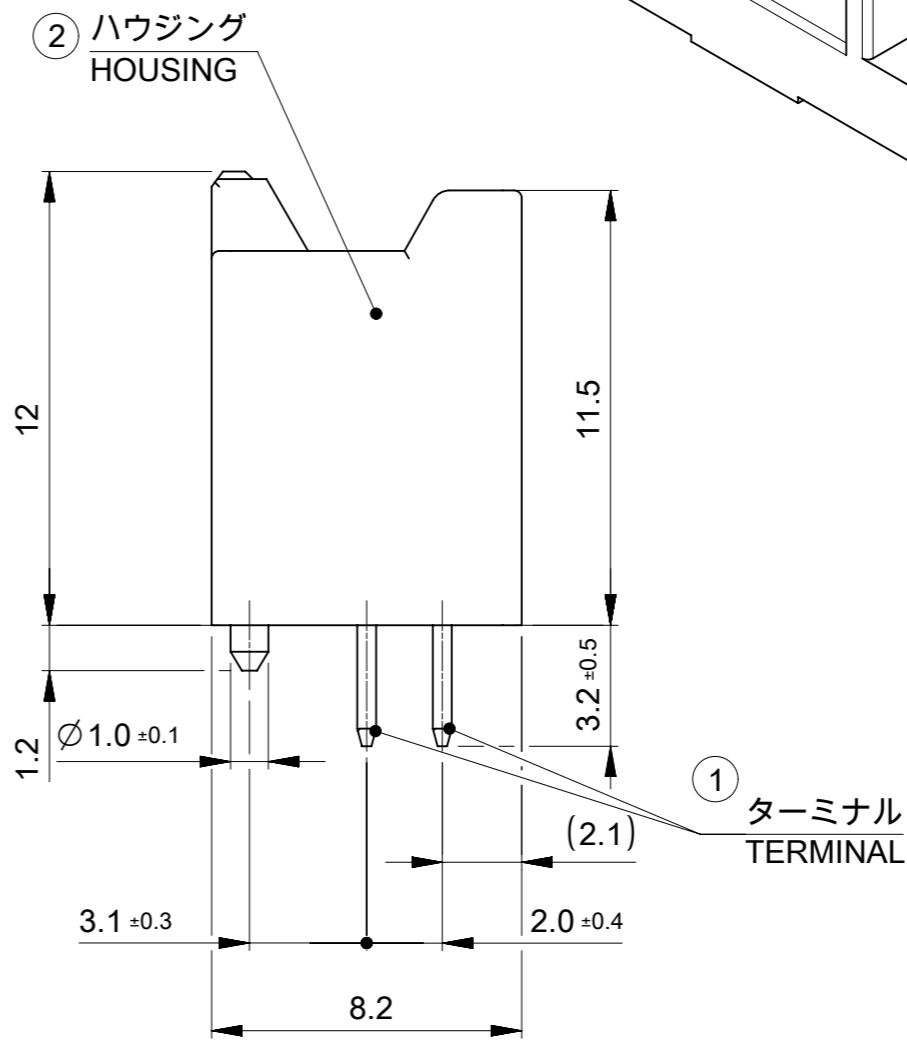




TABLE 1



|     |    |    |                    |
|-----|----|----|--------------------|
| 9.2 | 38 | 42 | 40                 |
| 9.2 | 36 | 40 | 38                 |
| 9.2 | 34 | 38 | 36                 |
| 9.2 | 32 | 36 | 34                 |
| 9.2 | 30 | 34 | 32                 |
| 9.2 | 28 | 32 | 30                 |
| 9.2 | 26 | 30 | 28                 |
| 9.2 | 24 | 28 | 26                 |
| 9.2 | 22 | 26 | 24                 |
| 9.2 | 20 | 24 | 22                 |
| 9.2 | 18 | 22 | 20                 |
| 9.2 | 16 | 20 | 18                 |
| 9.2 | 14 | 18 | 16                 |
| 9.2 | 12 | 16 | 14                 |
| 9.2 | 10 | 14 | 12                 |
| 7.3 | 8  | 12 | 10                 |
| C   | B  | A  | 極数<br>CIRCUIT SIZE |

| 番号 No. | 部品 PART         | 材質 MATERIAL  |
|--------|-----------------|--|
| ①      | ターミナル TERMINAL  | 黄銅, BRASS  |
|        | コンタクト CONTACT   | 下地めっき UNDER PLATING 銅めっき 1.0 micro-meter MIN. COPPER PLATING 1.0 micro-meter MIN.              |
|        | テール SOLDER TAIL | 無光沢錫めっき(リフロー処理) 1.0 micro-meter MIN. MATTE TIN PLATING (REFLOW TREATMENT) 1.0 micro-meter MIN. |
| ②      | ハウジング HOUSING   | ポリアミド(PA)ガラス入り, UL94V-0, 色: SEE CHART POLYAMIDE(PA) GLASS FILLED, UL94V-0, COLOR : SEE CHART   |

THIS DRAWING CONTAINS INFORMATION THAT IS PROPRIETARY TO MOLEX ELECTRONIC TECHNOLOGIES, LLC AND SHOULD NOT BE USED WITHOUT WRITTEN PERMISSION

|  |         |                   |            |
|--|---------|-------------------|------------|
| DIMENSION UNITS                                      | SCALE   | CURRENT REV DESC: |            |
| mm   | NTS     |                   |            |
| GENERAL TOLERANCES (UNLESS SPECIFIED)                |         |                   |            |
| ANGULAR TOL  | ± 3.0 ° |                   |            |
| 4 PLACES   | ± 0.2   | EC NO: 711900     |            |
| 3 PLACES   | ± 0.2   | DRWN: SNAKAMURA08 | 2022/06/22 |
| 2 PLACES   | ± 0.2   | CHK'D: KOMURAKAMI | 2022/07/20 |
| 1 PLACE  | ± 0.2   | APPR: SAKIYAMA    | 2022/07/20 |
| 0 PLACES   | ± 0.2   | INITIAL REVISION: |            |
| DRAFT WHERE APPLICABLE MUST REMAIN WITHIN DIMENSIONS |         | DRWN: SNAKAMURA08 | 2019/05/09 |
| THIRD ANGLE PROJECTION                               |         | APPR: KOMURAKAMI  | 2019/05/24 |
| DRAWING  | SERIES  | MATERIAL NUMBER   | CUSTOMER   |
| A3-SIZE  | 501645  | 5016450000-SD     | GENERAL    |
| DOCUMENT NUMBER                                      |         | DOC TYPE          | DOC PART   |
| 5016450000-SD  |         | PSD               | 000        |
| SHEET NUMBER   |         | REVISION          |            |
| 1 OF 3   |         | D                 |            |

**NOTES.**

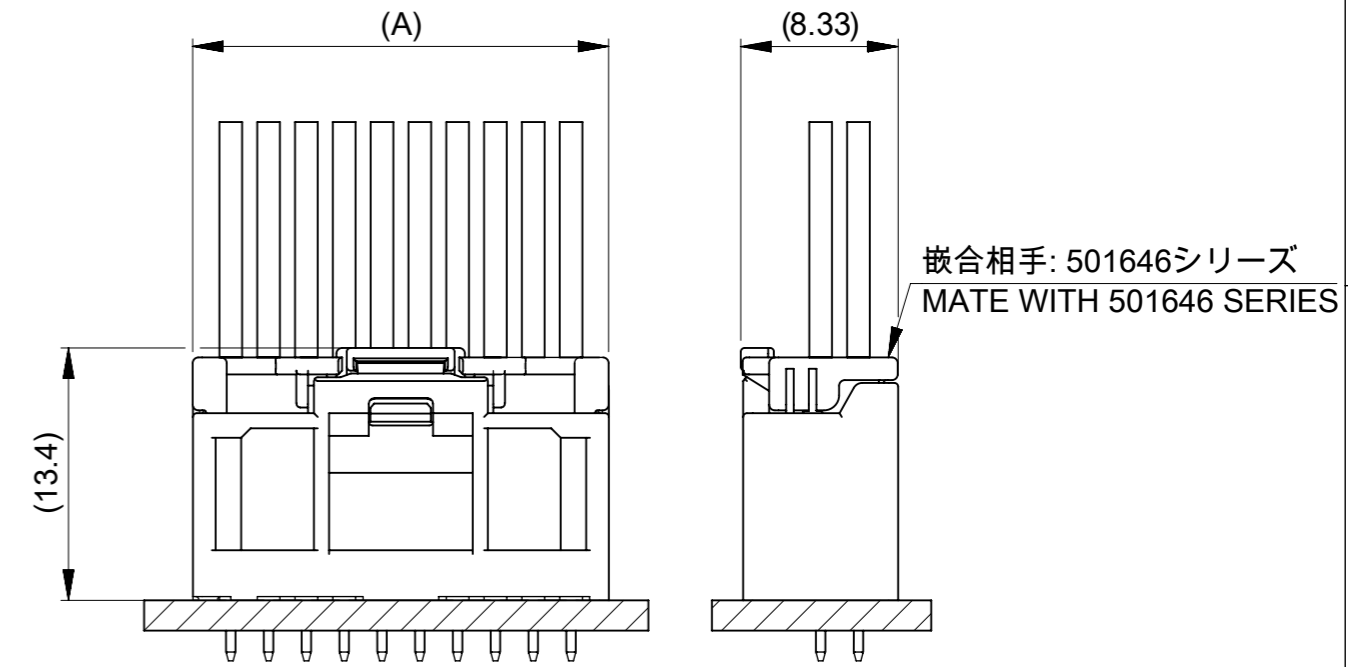
- 1. 材料及び仕上げ(めっき仕様) : TABLE 1 参照  
MATERIAL AND FINISHES : SEE TABLE 1
- 2. 製品仕様書 : PS-501646-001  
PRODUCT SPECIFICATION:PS-501646-001
- 3. 嵌合相手:  
MATES WITH:

|                                   |   |               |
|-----------------------------------|---|---------------|
| リセプタクルハウジング<br>RECEPTACLE HOUSING | 501646 SERIES                             |               |
| 圧着端子<br>RECEPTACLE CRIMP TERMINAL | AWG #22-26 錫めっき<br>AWG #22-26 TIN PLATING | 501647 SERIES |
|                                   | AWG #26-28 錫めっき<br>AWG #26-28 TIN PLATING | 501648 SERIES |

- 4. アプリケーション仕様書(コネクタ取扱い説明書) : 5016460000 PS A01  
APPLICATION SPECIFICATION(CONNECTOR MANNUAL): 5016460000 PS A01
- 5. 本製品は錫めっき品です。  
THIS PRODUCT IS A TIN PLATING.
- 6. 極数/2 = 偶数に適応  
APPLY FOR CIRCUIT SIZE / 2 =EVEN
- 7. ターミナルに錫めっきを使用している為、外観に摺動痕が付く場合があります。  
THE WOUND OF FRICTION MIGHT ADHERE TO EXTERNALS  
BECAUSE THE TIN PLATING IS USED FOR TERMINAL.
- 8. 梱包仕様書: SPK-501645-001  
PACKING INFORMATION : SPK-501645-001
- 9. 発注番号 : SHEET 3 参照  
ORDER No. : PLEASE REFER TO SHEET 3 FOR PRODUCT LIST

501645 \*\*2\*

|                    |                           |
|--------------------|---------------------------|
| 極数<br>CIRCUIT SIZE | ハウジングカラー<br>HOUSING COLOR |
|                    | 0:ナチュラル NATURAL           |
|                    | 1:黒 BLACK                 |
|                    | 2:赤 RED                   |
|                    | 4:青 BLUE                  |
|                    | 6:緑 GREEN                 |



嵌合状態図  
MATED CONNECTORS



基板取付穴推奨寸法(マウント面)

POLARIZED RECOMMENDED PCB LAYOUT HOLE DIMENSION (MOUNTING SIDE)

参考基板厚 t=1.2~1.6

REFERENCE PCB THICKNESS t=1.2~1.6

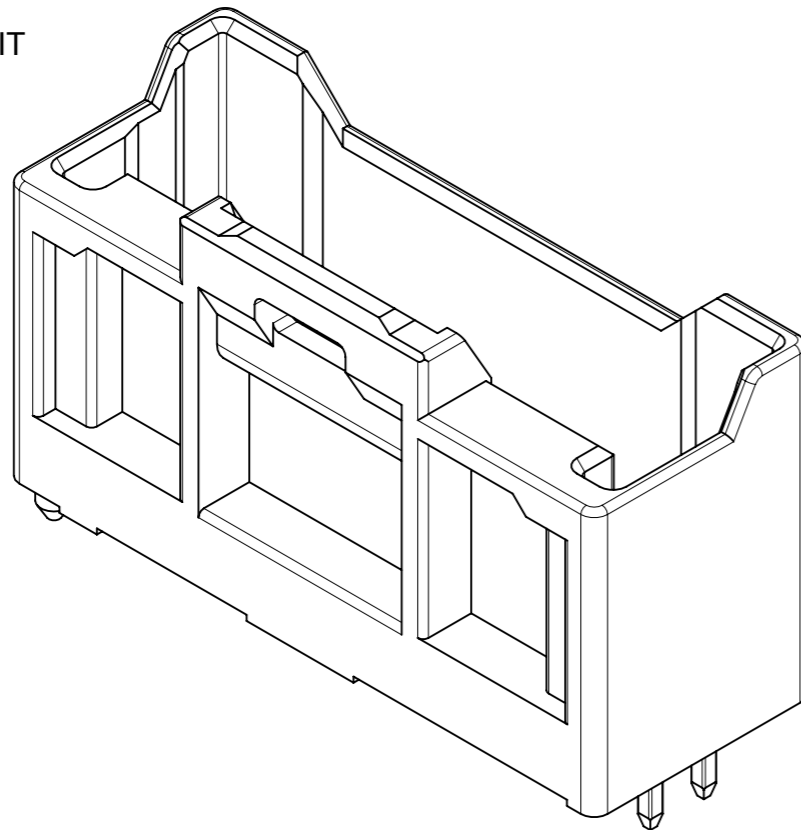
|   |         |                   |                 |   |          |
|---|---------|-------------------|-----------------|---|----------|
| THIS DRAWING CONTAINS INFORMATION THAT IS PROPRIETARY TO MOLEX ELECTRONIC TECHNOLOGIES, LLC AND SHOULD NOT BE USED WITHOUT WRITTEN PERMISSION |         | CURRENT REV DESC: |                 | <b>molex</b>                                    |          |
| DIMENSION UNITS   | SCALE   |                   |                 |   |          |
| mm  | NTS     |                   |                 | IGRID 2.0 PLUG ASSEMBLY<br>VERTICAL TIN PLATING |          |
| GENERAL TOLERANCES (UNLESS SPECIFIED)   |         |                   |                 | PRODUCT CUSTOMER DRAWING                        |          |
| ANGULAR TOL   | ± 3.0 ° |                   |                 | DOCUMENT NUMBER                                 |          |
| 4 PLACES  | ± 0.2   | EC NO: 711900     |                 | 5016450000-SD                                   |          |
| 3 PLACES  | ± 0.2   | DRWN: SNAKAMURA08 | 2022/06/22      | DOC TYPE  | DOC PART |
| 2 PLACES  | ± 0.2   | CHK'D: KOMURAKAMI | 2022/07/20      | PSD   | 000      |
| 1 PLACE   | ± 0.2   | APPR: SAKIYAMA    | 2022/07/20      | REVISION  | D        |
| 0 PLACES  | ± 0.2   | INITIAL REVISION: |                 |   |          |
| DRAFT WHERE APPLICABLE MUST REMAIN WITHIN DIMENSIONS  |         | DRWN: SNAKAMURA08 | 2019/05/09      |   |          |
| THIRD ANGLE PROJECTION  |         | APPR: KOMURAKAMI  | 2019/05/24      |   |          |
| DRAWING   |         | SERIES            | MATERIAL NUMBER | CUSTOMER  |          |
| A3-SIZE   |         | 501645            | SEE SHEET 3     | GENERAL   |          |
| SHEET NUMBER  |         | 2 OF 3            |                 |   |          |

製品形状  
PRODUCT SHAPE

10, 12極  
10, 12CIRCUIT



14 - 40 極  
14 - 40 CIRCUIT



△ 製品一覧 PRODUCT LIST

| 緑: GREEN               | 青: BLUE     | 赤: RED      | 黒: BLACK    | ナチュラル<br>NATURAL | HOUSING COLOR |
|------------------------|-------------|-------------|-------------|------------------|---------------|
| 501645 4026            | 501645 4024 | 501645 4022 | 501645 4021 | 501645 4020      | 40            |
| ↑ 3826                 | ↑ 3824      | ↑ 3822      | ↑ 3821      | ↑ 3820           | 38            |
| 3626                   | 3624        | 3622        | 3621        | 3620             | 36            |
| 3426                   | 3424        | 3422        | 3421        | 3420             | 34            |
| 3226                   | 3224        | 3222        | 3221        | 3220             | 32            |
| 3026                   | 3024        | 3022        | 3021        | 3020             | 30            |
| 2826                   | 2824        | 2822        | 2821        | 2820             | 28            |
| 2626                   | 2624        | 2622        | 2621        | 2620             | 26            |
| 2426                   | 2424        | 2422        | 2421        | 2420             | 24            |
| 2226                   | 2224        | 2222        | 2221        | 2220             | 22            |
| 2026                   | 2024        | 2022        | 2021        | 2020             | 20            |
| 1826                   | 1824        | 1822        | 1821        | 1820             | 18            |
| 1626                   | 1624        | 1622        | 1621        | 1620             | 16            |
| ↓ 1426                 | ↓ 1424      | ↓ 1422      | ↓ 1421      | ↓ 1420           | 14            |
| 1226                   | 1224        | 1222        | 1221        | 1220             | 12            |
| 501645 1026            | 501645 1024 | 501645 1022 | 501645 1021 | 501645 1020      | 10            |
| 発注番号 ORDER No.         |             |             |             |                  | 極数            |
| PACKAGING STYLE : TRAY |             |             |             |                  | CIRCUIT SIZE  |

THIS DRAWING CONTAINS INFORMATION THAT IS PROPRIETARY TO MOLEX ELECTRONIC TECHNOLOGIES, LLC AND SHOULD NOT BE USED WITHOUT WRITTEN PERMISSION

|  |                |                              |         |                          |                 |                        |
|--|----------------|------------------------------|---------|--------------------------|-----------------|------------------------|
| DIMENSION UNITS<br>mm                                      | SCALE<br>NTS   | CURRENT REV DESC:            |         | <b>molex</b>             |                 |                        |
| GENERAL TOLERANCES<br>(UNLESS SPECIFIED)                   |                | EC NO: 711900                |         |                          |                 |                        |
| ANGULAR TOL ± 3.0°   | 4 PLACES ± 0.2 | DRWN: SNAKAMURA08 2022/06/22 |         | PRODUCT CUSTOMER DRAWING |                 |                        |
| 3 PLACES ± 0.2   | 3 PLACES ± 0.2 | CHK'D: KOMURAKAMI 2022/07/20 |         | DOCUMENT NUMBER          |                 |                        |
| 2 PLACES ± 0.2   | 2 PLACES ± 0.2 | APPR: SAKIYAMA 2022/07/20    |         | 5016450000-SD            |                 |                        |
| 1 PLACE ± 0.2  | 1 PLACE ± 0.2  | INITIAL REVISION:            |         | DOC TYPE                 | DOC PART        | REVISION               |
| 0 PLACES ± 0.2   | 0 PLACES ± 0.2 | DRWN: SNAKAMURA08 2019/05/09 |         | PSD                      | 000             | D                      |
| DRAFT WHERE APPLICABLE<br>MUST REMAIN<br>WITHIN DIMENSIONS |                | THIRD ANGLE PROJECTION       | DRAWING | SERIES                   | MATERIAL NUMBER | CUSTOMER               |
|  |                | ⊕                            | A3-SIZE | 501645                   | SEE CHART       | GENERAL                |
|  |                |                              |         |                          |                 | SHEET NUMBER<br>3 OF 3 |