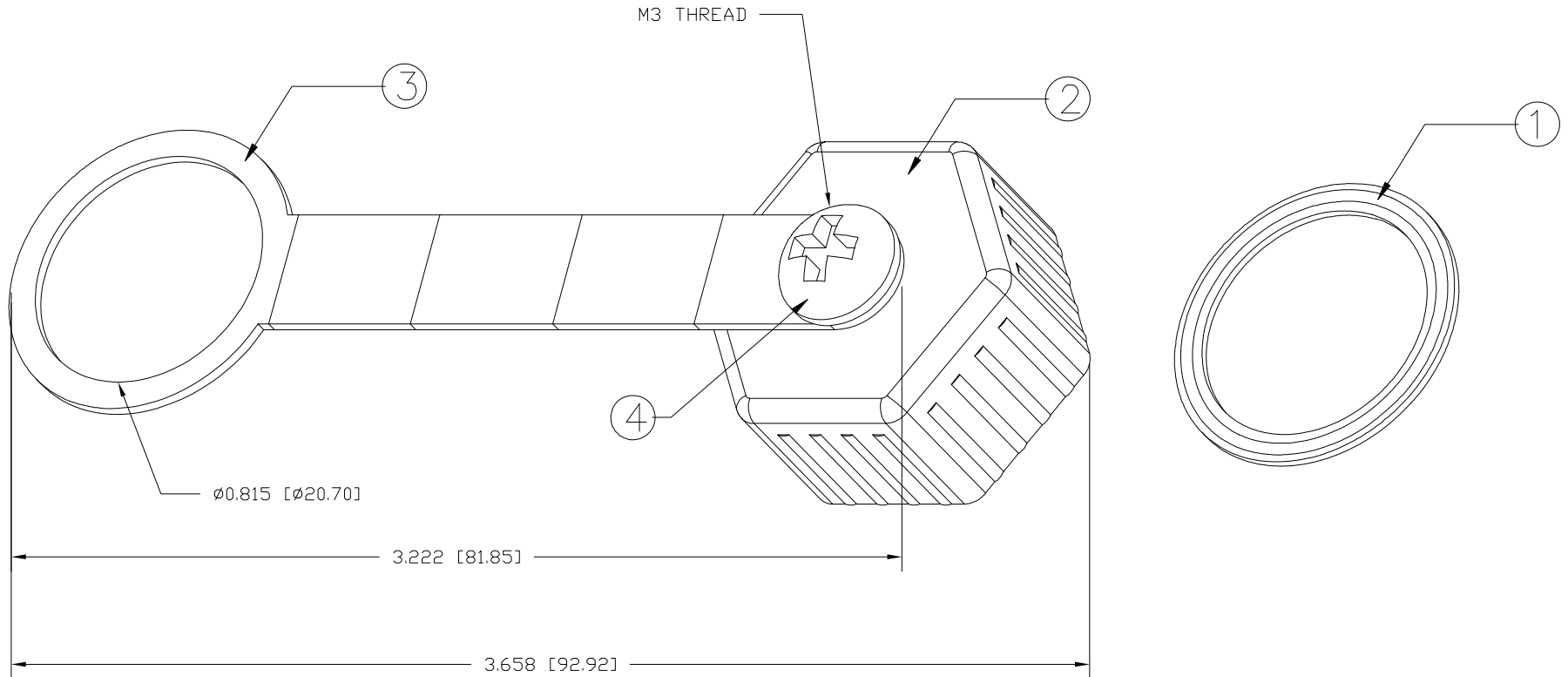


Materials


- ④ Screw: Stainless Steel
- ③ Chain: Silicon 70
- ② Cover: PBT (Torque Spec: 0.56 Nm)
- ① Gasket: Silicon



**Note:
Waterproof Rating = IP68

DO NOT SCALE FROM DRAWING

UNITS = inch [mm]

	THESE DRAWINGS AND SPECIFICATIONS ARE THE PROPERTY OF NorComp AND SHALL NOT BE REPRODUCED, COPIED OR USED AS THE BASIS FOR THE MANUFACTURE OF SALE OF APPARATUS WITHOUT WRITTEN PERMISSION.		DRAWN: M. SIGMON	DATE: 05-16-13
	<h1>NorComp</h1>		SCALE: N.T.S.	SHEET 1 OF 1
DWG NO. IPRJ-CAP-P				

RoHS COMPLIANT