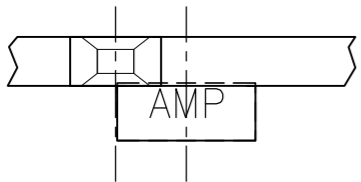
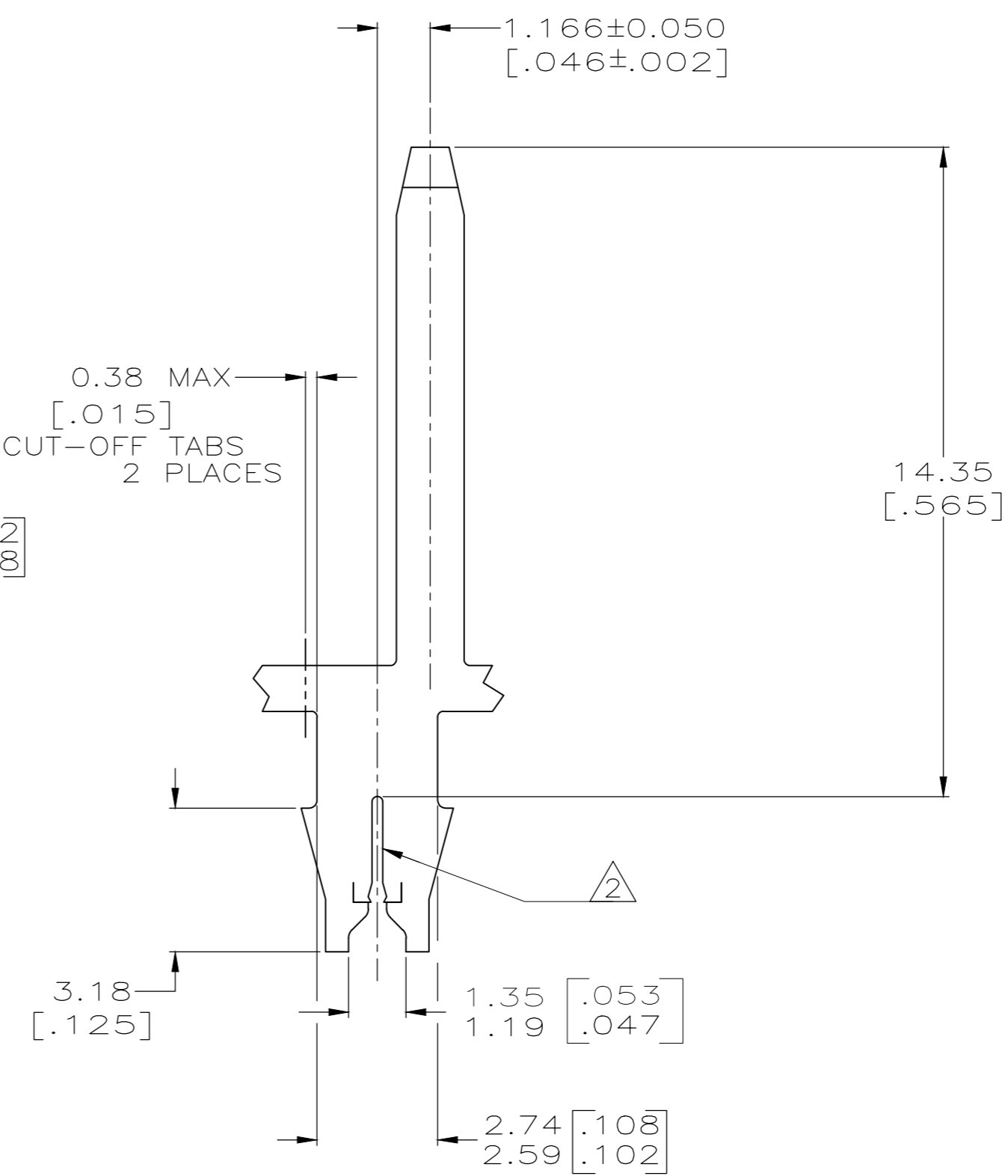
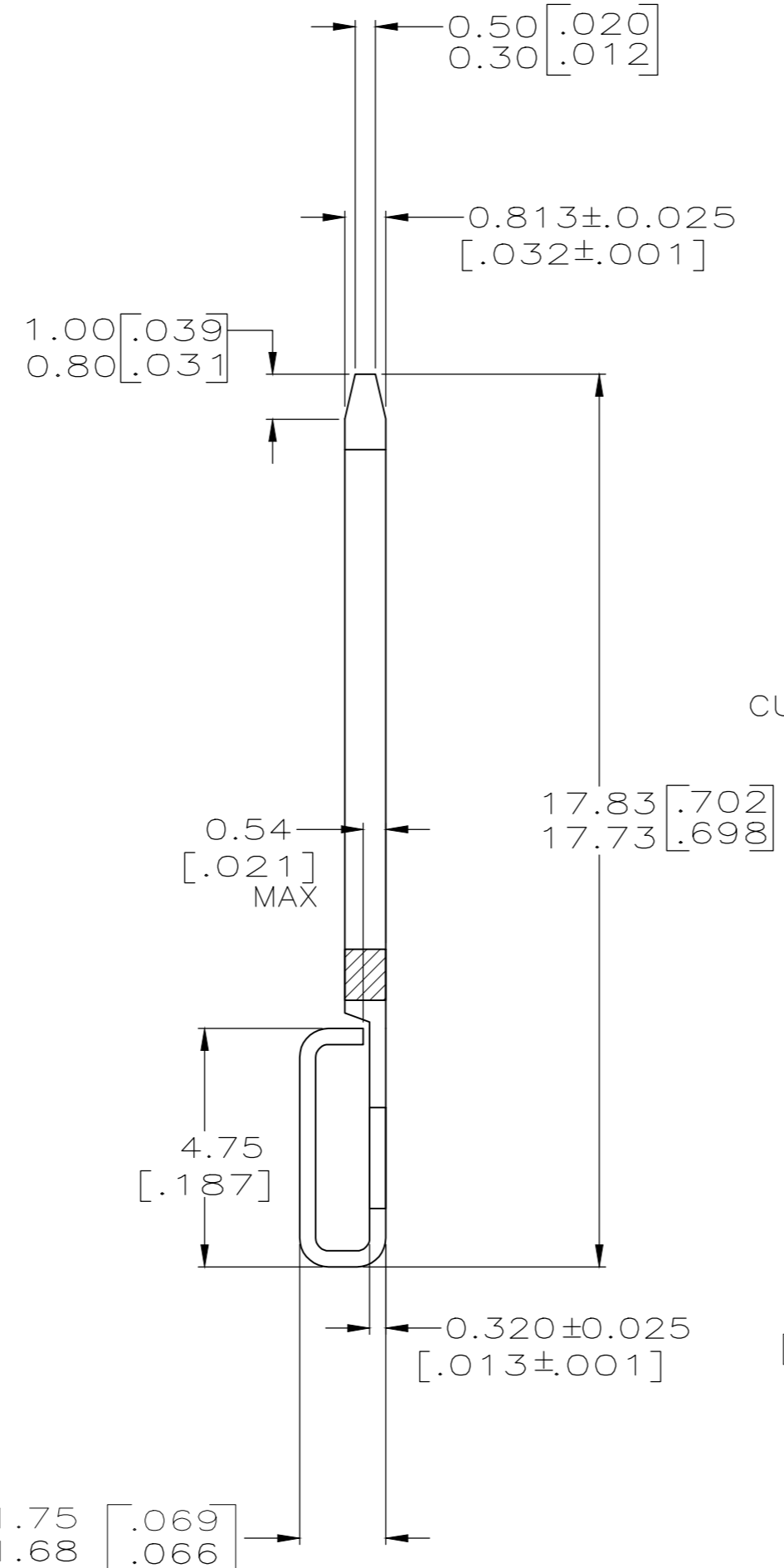
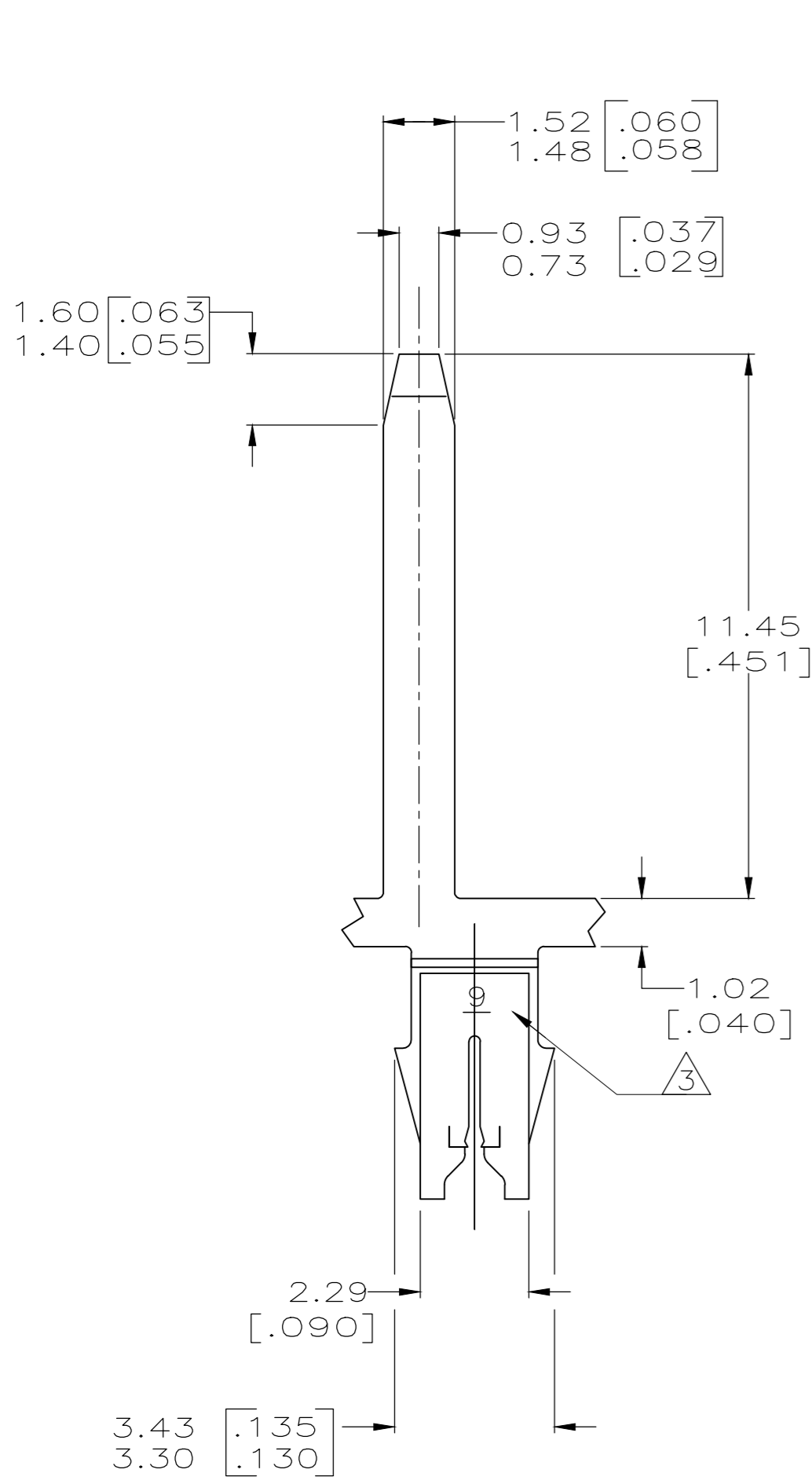


THIS DRAWING IS UNPUBLISHED. RELEASED FOR PUBLICATION .19  
 BY AMP INCORPORATED. ALL RIGHTS RESERVED.

| LOC | DIST | REVISIONS   |                           |           |       |
|-----|------|-------------|---------------------------|-----------|-------|
| P   | LTR  | DESCRIPTION | DATE                      | DWN       | APVD  |
| AF  | 50   |             |                           |           |       |
|     |      | D           | REVISED PER ECR-18-006427 | 14MAY2018 | BW SV |



- 1 CONTINUOUS STRIP ON REELS WITH TERMINALS LOCATED ON 5.08±0.08 [.200±.003] CENTERS.
- 2 SLOT ACCEPTS 0.36-0.45mm [#27-#25] AWG COPPER MAGNET WIRE
- 3 IDENTIFICATION NUMBER 9 FOR WIRE SLOT SIZE.
- 4 0.002032 [.000080] MIN TIN PLATE.



1217460

1217460-1  
PART NUMBER

|  |  |                                       |   |                    |                       |
|--|--|---------------------------------------|---|--------------------|-----------------------|
| THIS DRAWING IS A CONTROLLED DOCUMENT.   |  | DWN<br>MICHAEL S. FEHER<br>09AUG2000  | <b>STE</b> TE CONNECTIVITY  |                    |                       |
| DIMENSIONS:<br>mm[INCHES]  |  | CHK<br>KURT A. RANDOLPH<br>09AUG2000  |   |                    |                       |
| TOLERANCES UNLESS OTHERWISE SPECIFIED:   |  | APVD<br>KURT A. RANDOLPH<br>09AUG2000 | NAME<br>TAB, 1.50[.059] SERIES,<br>LEFT HAND,<br>187 SERIES MAG-MATE™ |                    |                       |
| 0 PLC ±-<br>1 PLC ±-<br>2 PLC ±0.25[.010]<br>3 PLC ±-<br>4 PLC ±-<br>ANGLES ±- |  | PRODUCT SPEC<br>108-2012              | SIZE<br>A2  | CAGE CODE<br>00779 | DRAWING NO<br>1217460 |
| MATERIAL<br>BRASS  |  | FINISH<br>4                           | WEIGHT  | RESTRICTED TO      |                       |
| CUSTOMER DRAWING   |  |                                       | SCALE<br>8:1  | SHEET<br>1 OF 1    | REV<br>D              |