

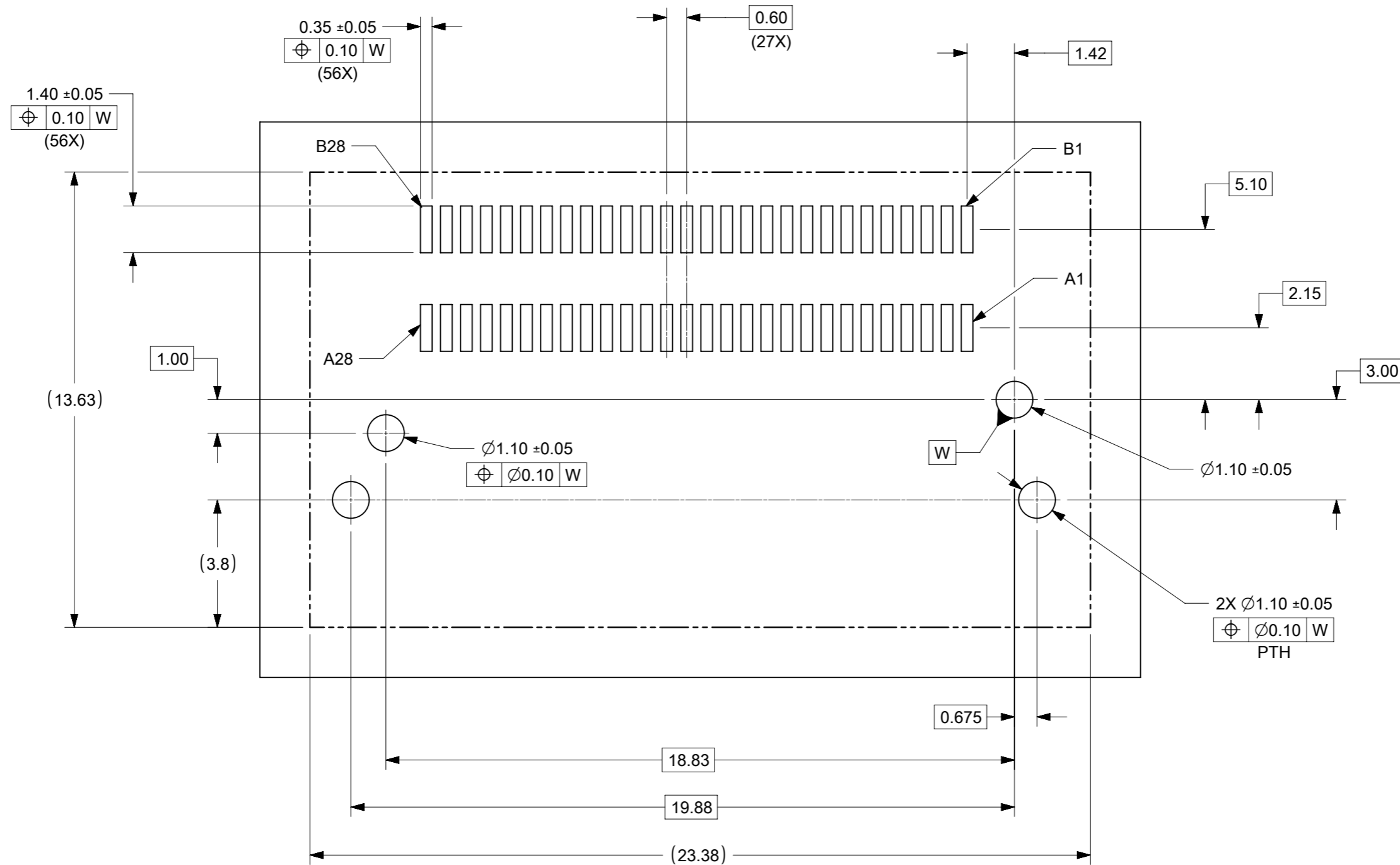
- NOTES:
- MATERIAL:  
HOUSING - GLASS FILLED LIQUID CRYSTAL POLYMER, 94-V0, BLACK  
TERMINALS - COPPER ALLOY
  - FINISH : REFER TABLE
  - PRODUCT SPECIFICATION : REFER TABLE
  - PACKAGING SPECIFICATION : REFER TABLE  
PRODUCT SHALL BE PACKED IN TAPE AND REEL, SEE TABLE
  - APPLICATION SPECIFICATION : REFER TABLE
  - MATING CARD THICKNESS : 1.57 ± 0.13

THIS DESIGN IS BASED ON DESIGN OBJECTIVES AND IS STRICTLY TENTATIVE. IT MAY CHANGE BASED ON RESULT OF ADDITIONAL DESIGN REVIEWS AND VERIFICATIONS

ASSEMBLY PART NO.	PLATING OPTION	PRODUCT SPECIFICATION	PACKAGING SPECIFICATION	APPLICATION SPECIFICATION
2069230056	0.76 MICROMETER /30 MICROINCH MIN. GOLD ON CONTACT. 2.54 MICROMETER /100 MICROINCH MIN. PURE MATTE TIN ON SOLDER TAILS OVER 1.27 MICROMETER /50 MICROINCH MIN. NICKEL UNDERPLATE	2069230001-PS	2069230056-PKG	2066530001-AS

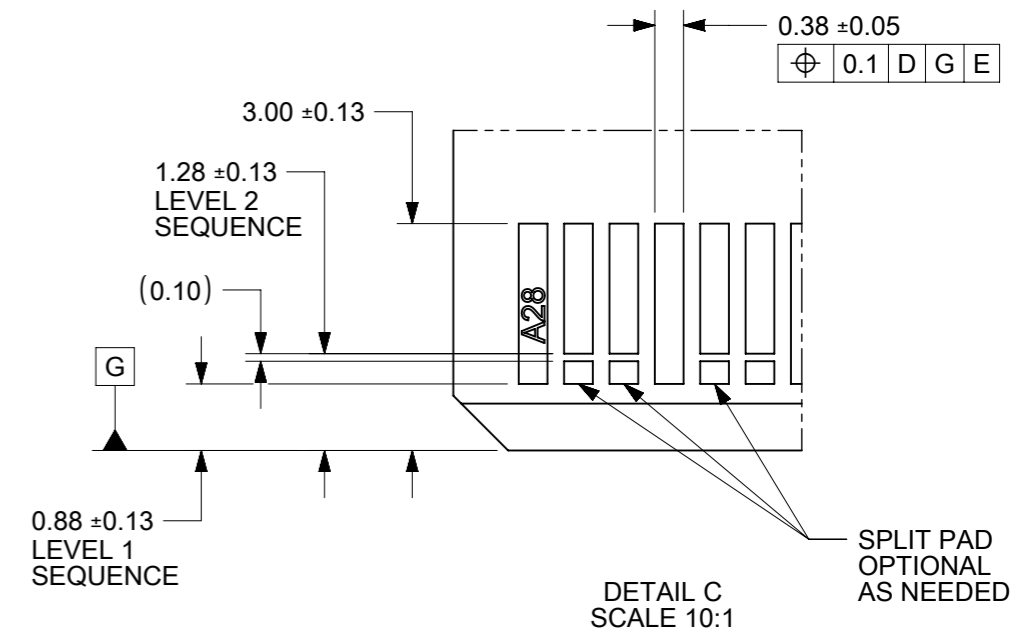
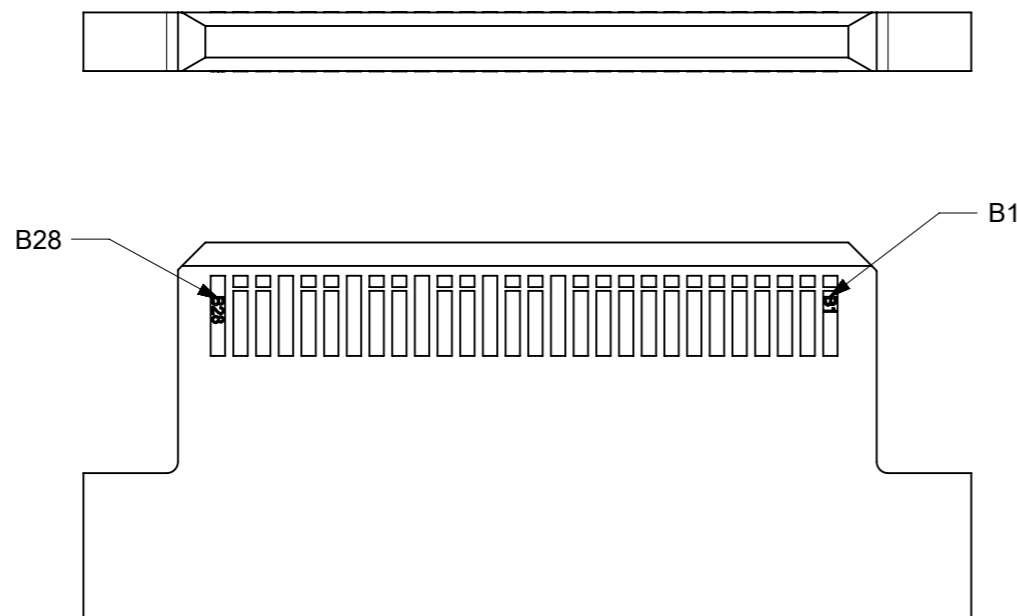
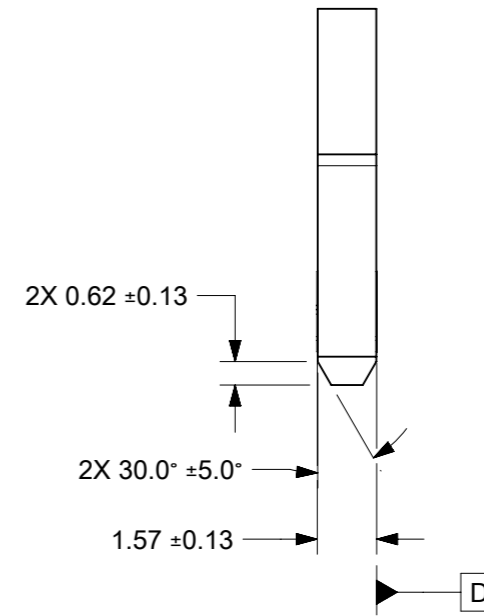
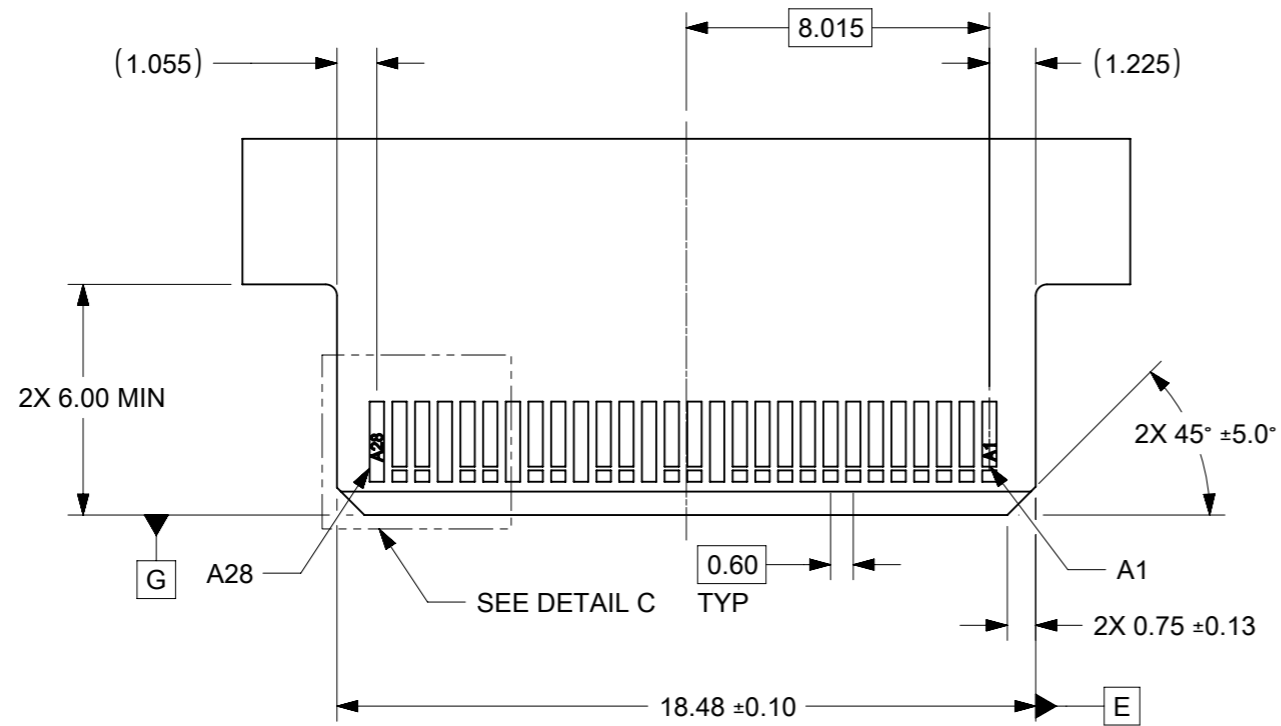
THIS DRAWING CONTAINS INFORMATION THAT IS PROPRIETARY TO MOLEX ELECTRONIC TECHNOLOGIES, LLC AND SHOULD NOT BE USED WITHOUT WRITTEN PERMISSION		CURRENT REV DESC: REVISED		<b>molex</b>	
DIMENSION UNITS	SCALE	EC NO: 667173			
mm	NTS	DRWN: JAKEEMEW 2021/06/16		EDGELINE SLIVER, SMT (1.57 EDGE CARD)	
GENERAL TOLERANCES (UNLESS SPECIFIED)		CHK'D: CCTEH 2021/06/17		PRODUCT CUSTOMER DRAWING	
ANGULAR TOL	± 3.0°	APPR: SHLENI 2021/06/21		DOCUMENT NUMBER	
4 PLACES	±	INITIAL REVISION:		2069230056	
3 PLACES	±	DRWN: BARWANKAR 2018/07/24		DOC TYPE	
2 PLACES	± 0.2	APPR: SHLENI 2019/02/21		PSD	
1 PLACE	±	MATERIAL NUMBER		000	
0 PLACES	±	CUSTOMER		A3	
DRAFT WHERE APPLICABLE MUST REMAIN WITHIN DIMENSIONS		THIRD ANGLE PROJECTION	DRAWING	SERIES	SHEET NUMBER
			A3-SIZE	206923	1 OF 3

# RECOMMENDED 1C RIGHT ANGLE PCB FOOT PRINT DIMENSIONS AS PER SFF TA-1002 CONNECTOR SPECIFICATIONS



THIS DRAWING CONTAINS INFORMATION THAT IS PROPRIETARY TO MOLEX ELECTRONIC TECHNOLOGIES, LLC AND SHOULD NOT BE USED WITHOUT WRITTEN PERMISSION									
DIMENSION UNITS		SCALE		CURRENT REV DESC: REVISED				<b>molex</b>	
mm		NTS							
GENERAL TOLERANCES (UNLESS SPECIFIED)									
ANGULAR TOL		± 3.0°		EC NO: 667173					
4 PLACES		±		DRWN: JAKEEMEW		2021/06/16			
3 PLACES		±		CHK'D: CCTEH		2021/06/17			
2 PLACES		± 0.2		APPR: SHLENI		2021/06/21			
1 PLACE		±		INITIAL REVISION:					
0 PLACES		±		DRWN: BARWANKAR		2018/07/24			
				APPR: SHLENI		2019/02/21			
DRAFT WHERE APPLICABLE MUST REMAIN WITHIN DIMENSIONS		THIRD ANGLE PROJECTION		DRAWING		SERIES		MATERIAL NUMBER	
				A3-SIZE		206923		2069230056	
				CUSTOMER		GENERAL MARKET		SHEET NUMBER	
								2 OF 3	

# RECOMMENDED 1C MATING CARD DIMENSIONS AS PER SFF TA-1002 CONNECTOR SPECIFICATIONS



THIS DRAWING CONTAINS INFORMATION THAT IS PROPRIETARY TO MOLEX ELECTRONIC TECHNOLOGIES, LLC AND SHOULD NOT BE USED WITHOUT WRITTEN PERMISSION													
DIMENSION UNITS		SCALE		CURRENT REV DESC: REVISED				<b>molex</b>					
mm		NTS											
GENERAL TOLERANCES (UNLESS SPECIFIED)													
ANGULAR TOL ± 3.0°													
4 PLACES ±													
3 PLACES ±													
2 PLACES ± 0.2													
1 PLACE ±													
0 PLACES ±													
DRAFT WHERE APPLICABLE MUST REMAIN WITHIN DIMENSIONS													
THIRD ANGLE PROJECTION		DRAWING		SERIES		MATERIAL NUMBER		CUSTOMER					
		A3-SIZE		206923		2069230056		GENERAL MARKET					
EC NO: 667173				DRWN: JAKEEMEW 2021/06/16				SALES DRAWING, 56 POS, 1C, RA EDGE LINE SLIVER, SMT (1.57 EDGE CARD)					
CHK'D: CCTEH 2021/06/17				APPR: SHLENI 2021/06/21									
INITIAL REVISION:				DRWN: BARWANKAR 2018/07/24				PRODUCT CUSTOMER DRAWING					
APPR: SHLENI 2019/02/21				DOCUMENT NUMBER				DOC TYPE		DOC PART		REVISION	
				2069230056				PSD		000		A3	
DOCUMENT STATUS		P1		RELEASE DATE		2021/06/21		07:48:36		SHEET NUMBER		3 OF 3	