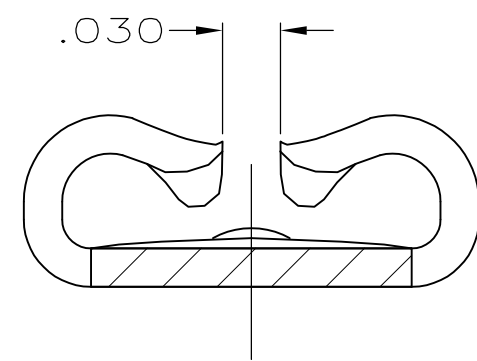
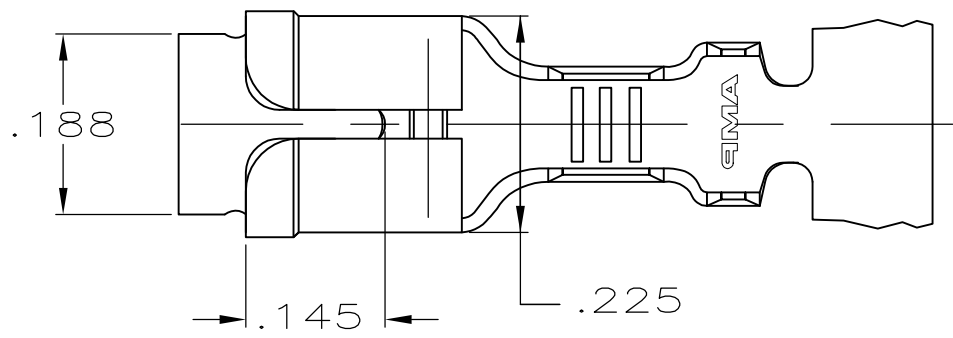


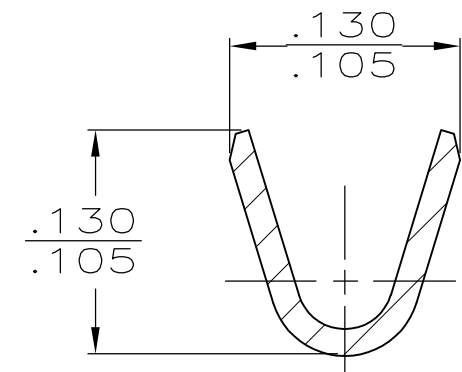
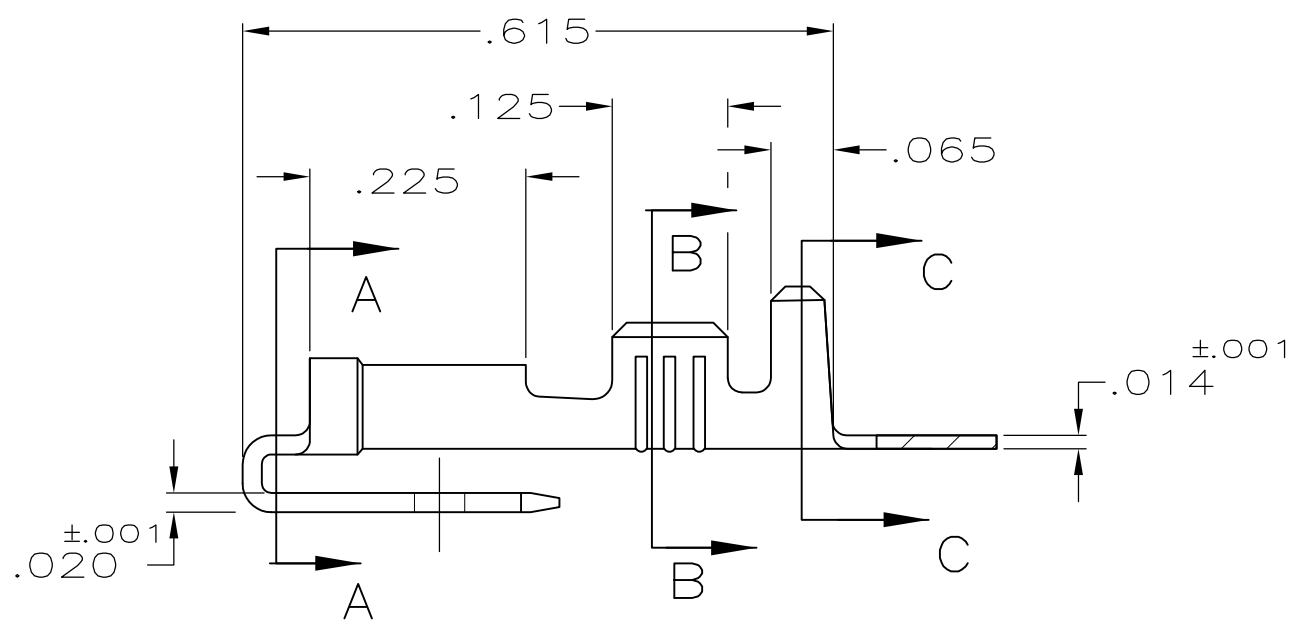
THIS DRAWING IS UNPUBLISHED. RELEASED FOR PUBLICATION
 © COPYRIGHT - By - ALL RIGHTS RESERVED.

LOC	DIST	REVISIONS			
P	LTR	DESCRIPTION	DATE	DWN	APVD
AF	50	C	REVISED PER ECR-12-013518	23NOV2012	KH PD

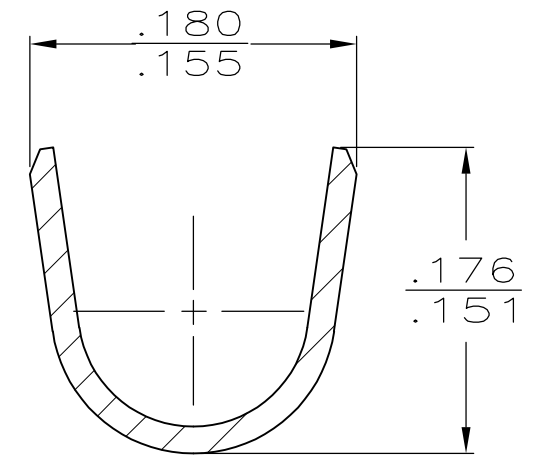


SECTION A-A
SCALE 10:1

1 CONTINUOUS STRIP ON REELS.



SECTION B-B
SCALE 10:1



SECTION C-C
SCALE 10:1

TIN	.090-.130	20-16	.032	63646-2
-				63646-1
FINISH	INSULATION RANGE	WIRE SIZE	MATING TAB THK ±.001	PART NO

THIS DRAWING IS A CONTROLLED DOCUMENT.		DWN JR RUTH 4/23/92	TE Connectivity RECEPTACLE & TAB, FASTON, PIGGYBACK, .187 SERIES				
DIMENSIONS: INCHES		CHK P FORTNEY 4/23/92				NAME	
TOLERANCES UNLESS OTHERWISE SPECIFIED: 0 PLC ± - 1 PLC ± - 2 PLC ± - 3 PLC ± .010 4 PLC ± - ANGLES ± -		APVD C MEYERS 4/23/92				PRODUCT SPEC	
MATERIAL BRASS		FINISH SEE TABLE				APPLICATION SPEC	
		WEIGHT -	SIZE A3	CAGE CODE 00779	DRAWING NO C-63646		
CUSTOMER DRAWING			SCALE 5:1	SHEET 1 OF 1	REV C		