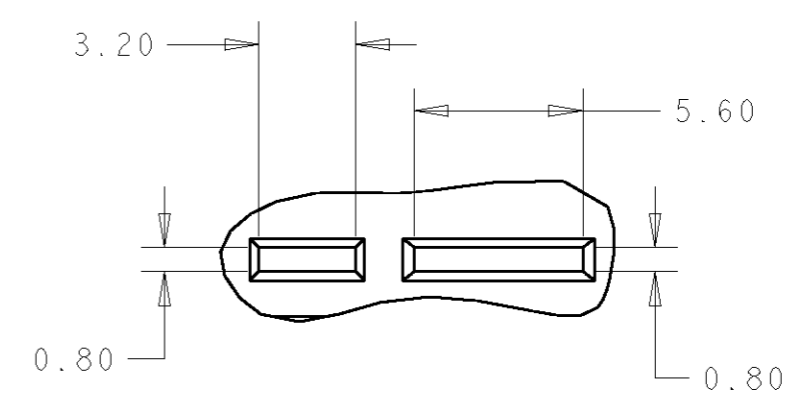
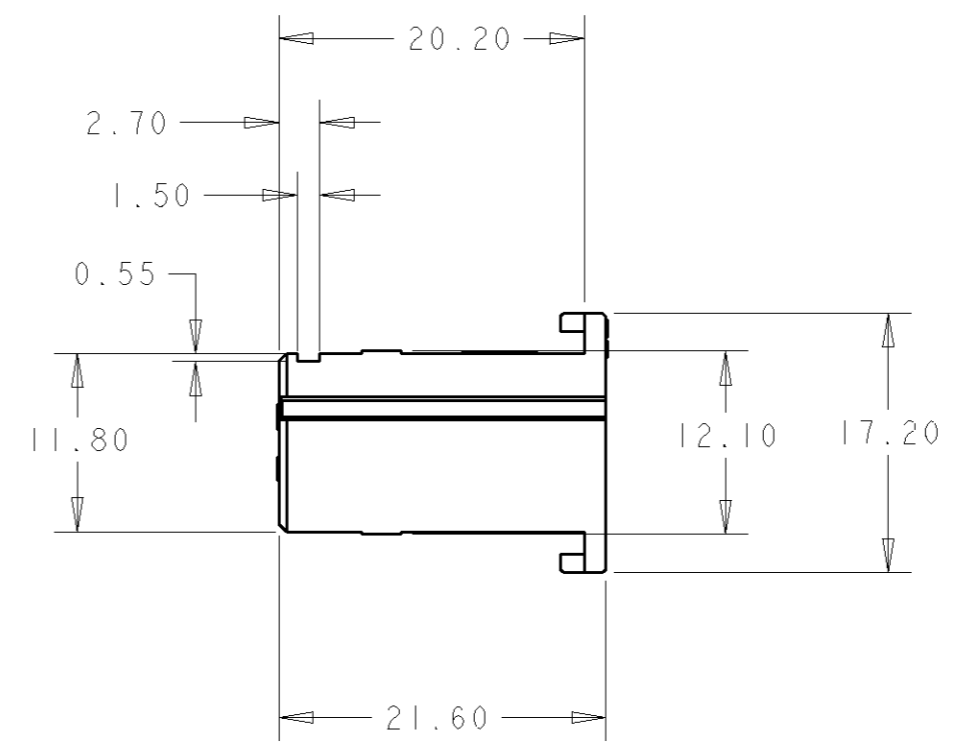
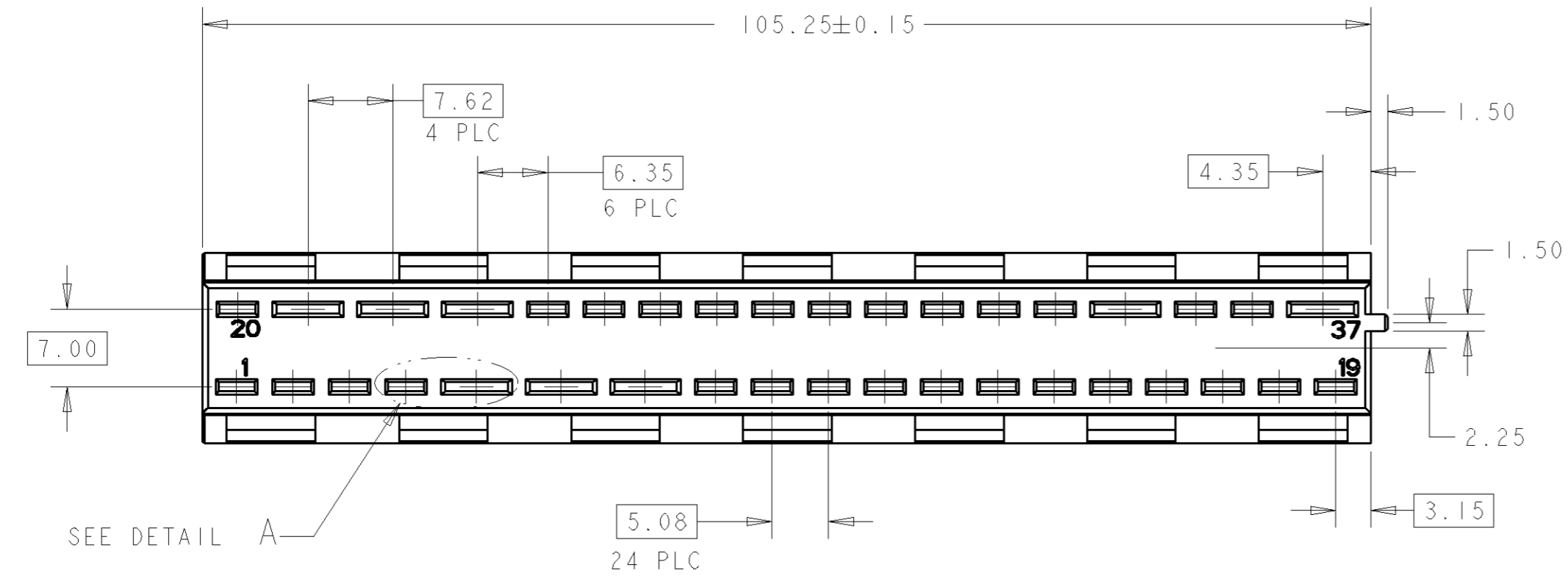
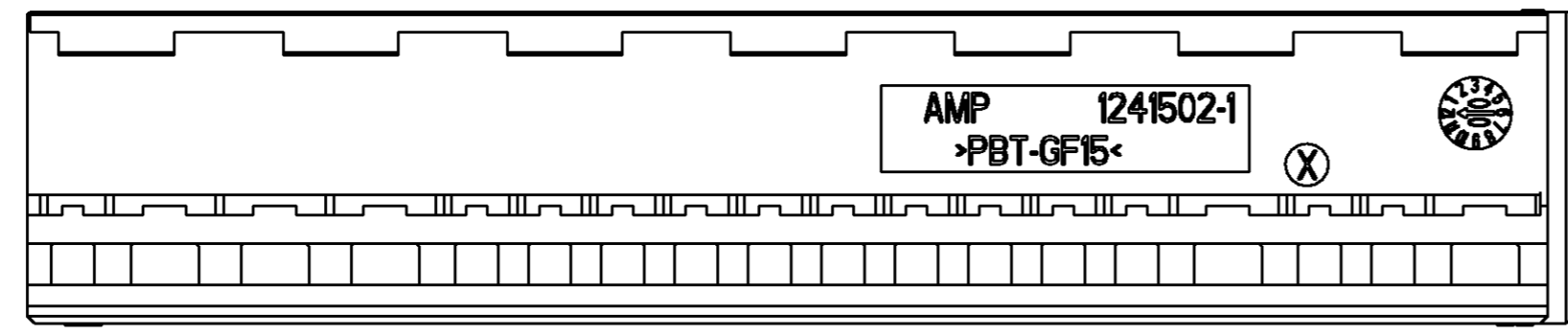


THIS DRAWING IS UNPUBLISHED. RELEASED FOR PUBLICATION 20
 © COPYRIGHT 20 BY TYCO ELECTRONICS CORPORATION. ALL RIGHTS RESERVED.

LOC	DIST	REVISIONS			
P	LTR	DESCRIPTION	DATE	DWN	APVD
G		REV PER OK40-0669-01	07DEC2001	WH	PPS



DETAIL A
SCALE 4:1

1. COLOR: BLACK

1241502-1
PART NUMBER

<small>THIS DRAWING IS A CONTROLLED DOCUMENT FOR TYCO ELECTRONICS CORPORATION. IT IS SUBJECT TO CHANGE AND THE CONTROLLING ENGINEERING ORGANIZATION SHOULD BE CONTACTED FOR THE LATEST REVISION.</small>		DWN 29 JAN 2001 CHK <u>d.marpoe</u> APVD <u>R.COOPER</u>	tyco Tyco Electronics Electronics Harrisburg, PA 17105-3608	
DIMENSIONS: mm 		PRODUCT SPEC - APPLICATION SPEC - WEIGHT -	NAME 37 POSITION BLOCK SIZE A2 CAGE CODE 00779 DRAWING NO. 1241502 RESTRICTED TO -	
MATERIAL PBT GF15, COLOR-BLACK		TOLERANCES UNLESS OTHERWISE SPECIFIED: 0 PLC ± 1 PLC ±0.3 2 PLC ±0.2 3 PLC ± 4 PLC ± ANGLES ±0°30' FINISH -	CUSTOMER DRAWING SCALE 2:1 SHEET 1 OF 1 REV G	