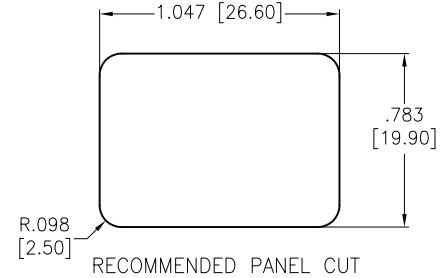
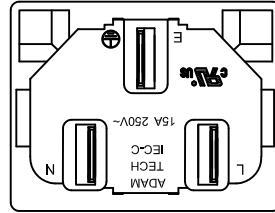
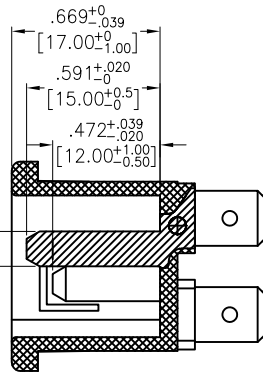
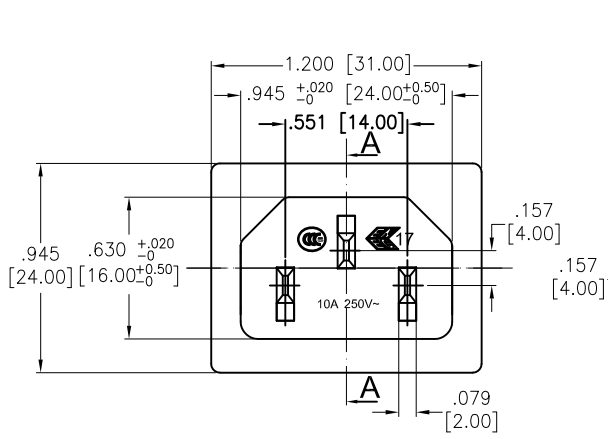


APPROVED: _____
 DATE: _____ TITLE: _____

Rev	AWO #	Description	Date	Appr
-		RELEASED	6/16/05	
A		ADDED PANEL THICKNESS	7/11/12	
B		REDRAWN	12/20/12	
C		ADDED P/N	1/17/14	AY
D		REMOVED DIMENSION 300	12/18/20	LH/RT



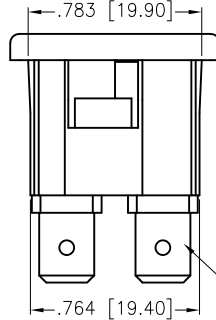
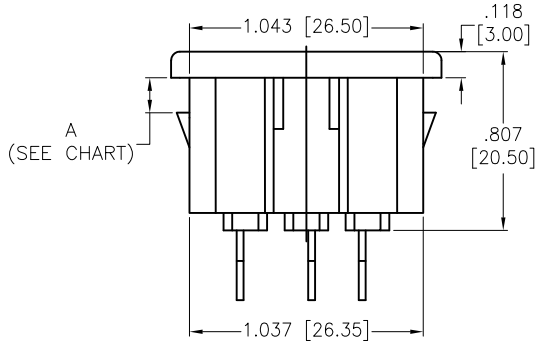
EXAMPLE ORDERING CODE
 IEC - C - 1 - 150

BODY
 STYLE

PANEL THICKNESS
 DIM. "A"
 080 = 0.80mm
 100 = 1.00mm
 120 = 1.20mm
 150 = 1.50mm
 200 = 2.00mm
 400 = 4.00mm

TERMINALS

1 = .187 QC
 2 = .250 QC
 3 = SOLDER .157"
 5 = SOLDER .098"



SEE TERMINAL OPTIONS

PART NUMBER	DIMENSION	
	A	
IEC-C-X-080	.031	[0.80]
IEC-C-X-100	.039	[1.00]
IEC-C-X-120	.047	[1.20]
IEC-C-X-150	.059	[1.50]
IEC-C-X-200	.079	[2.00]
IEC-C-X-400	.157	[4.00]

TERMINAL OPTIONS			
-1	-2	-3	-5
.187 Q.C.	.250 Q.C.	.157 Solder	.098 Solder

SPECIFICATIONS:

Material:
 Insulator: Nylon 66, glass reinforced, rated UL 94V-0
 Insulator color: Black
 Contacts: Brass
 Plating:
 Tin over Copper underplate overall
 Electrical:
 Operating voltage: 250 VAC
 Current rating: UL & CSA: 15 Amps max
 ENEC: 10 Amps max
 Insulation resistance: 100 Mohms min @ 500 VDC
 Dielectric withstanding voltage: 3,000 VAC for 1 minute
 Environmental:
 Lead free, RoHS compliant



UNLESS OTHERWISE SPECIFIED
 ALL DIMENSIONS ARE INCHES [MM]
 TOLERANCES: EXCEPT AS NOTED

INCHES		HOLES	
.X	± .10	Ø.X	± .10
.XX	± .020	Ø.XX	± .015
.XXX	± .015	Ø.XXX	± .010

ADAM TECH INTERCONNECTS
 909 Rahway Avenue,
 Union, NJ 07083
 Phone: 908-687-5000
 Fax: 908-687-5710

APPROVALS		DATE
DRAWN	SS	6/16/05
CHECKED		
APPROVED		

TITLE			
IEC MALE INLET, SNAP-IN PANEL MOUNT			
SIZE	PART NO.	REV.	
X	IEC-C-X-XXX	D	
REF:	S00087C	SCALE: NTS	SHEET 1 OF 1