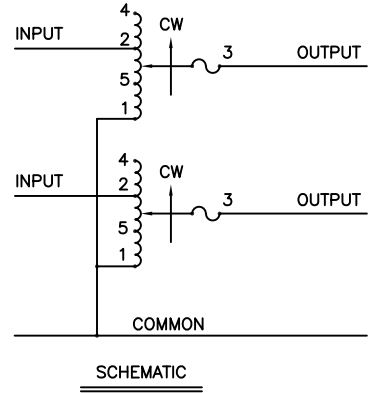


FIGURE A
 MAXIMUM OUTPUT CURRENT OF ANY
 DUAL INPUT VOLTAGE OR VOLTAGE DOUBLER
 UNIT OPERATED AT LOWER INPUT VOLTAGE.



* MAXIMUM OUTPUT CURRENT IN OUTPUT VOLTAGE RANGE FROM 0 TO 25% ABOVE LINE VOLTAGE. AT HIGHER OUTPUT VOLTAGES, OUTPUT CURRENT MUST BE REDUCED ACCORDING TO RATING CURVE, FIGURE A.
 ++ MAXIMUM KVA AT MAXIMUM OUTPUT AND CORRESPONDING DE-RATED CURRENT. MAXIMUM KVA AT LOWER OUTPUT VOLTAGES MAY BE CALCULATED FROM RATING CURVE, FIGURE A.
 V.D. = VOLTAGE DOUBLER.

WIRING	SPECIFICATIONS					SHAFT ROTATION TO INCREASE VOLTAGE	TERMINAL CONNECTIONS	
	INPUT		OUTPUT				FOR INCREASING VOLTAGE AS VIEWED FROM ROTOR END	
	VOLTS	HERTZ	VOLTS	MAX. AMPS	MAX. KVA		INPUT	JUMPER OUTPUT
SINGLE PHASE SERIES	480	50/60	0-480	35	16.8	CW	4-4	3-3
			0-560	35	19.6	CW	2-2	3-3
	240	50/60	0-560	35-15 V.D.	8.4 ++	CW	5-5	3-3

UNLESS OTHERWISE SPECIFIED TOLERANCES ARE: DIMENSIONS IN INCHES: FRACTIONS ±.005, DECIMALS ±.001 DIMENSIONS IN MILLIMETERS: FRACTIONS ±.127, DECIMALS ±.025	DATE: 11/23/99	DESIGNED BY: TIM RAU	SCALE: .5=1	NO. OF SHEETS: 1	SHEET: 1 OF 1
SPEC. CONTROL DRAWING VARIABLE TRANSFORMER TYPE: 6020C-2S			WEIGHT APPROX: 146 LBS.	CAGE CODE NO. 6020C	DATE: 11/23/99
<small>The information and design contained herein are intended to be used in the assembly of SISCO ENERGY PRODUCTS CO. units and are not to be used for any other purpose without the express written consent of SISCO ENERGY PRODUCTS CO. The foregoing does not apply to vendor proprietary parts.</small>		<small>ALL DIMENSIONS APPLY UNLESS OTHERWISE SPECIFIED</small>		SISCO ENERGY PRODUCTS CO. <small>A HANCOCK COMPANY OF HANCO GROUP</small> DAYTON, OHIO U.S.A.	
CUSTOMER APPROVAL		DATE		REV. NO.	
				D 032-7439	