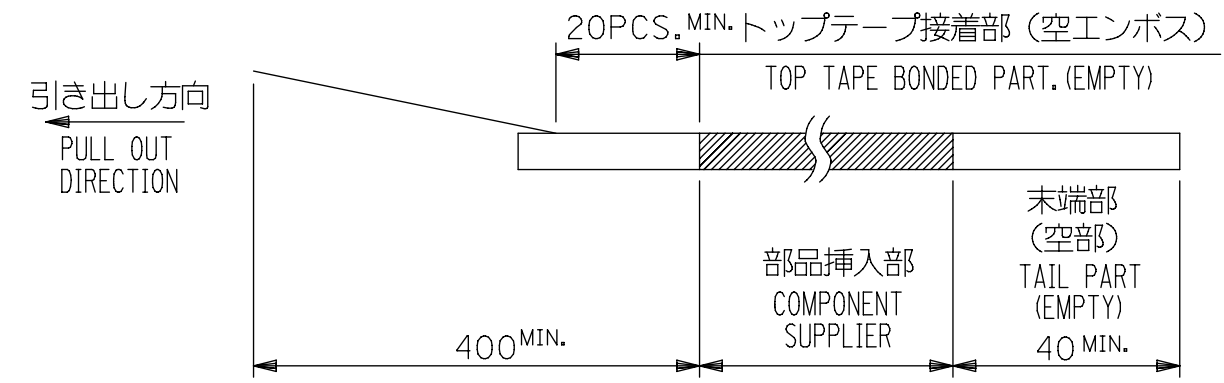
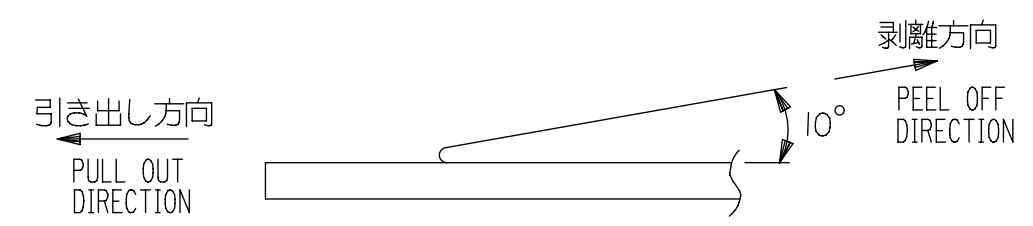


NOTES

- 製品詳細寸法については図面 512811000-SD を参照下さい。
RE DETAILED DIMENSION, SEE 512811000-SD
- 梱包数量：3000個/リール
NUMBER OF CONNECTORS : 3000PCS/REEL
- リードテープ長さ LEAD TAPE LENGTH

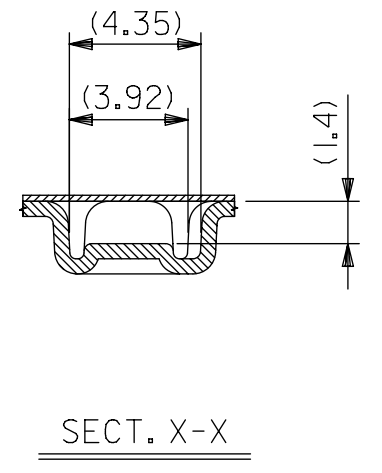
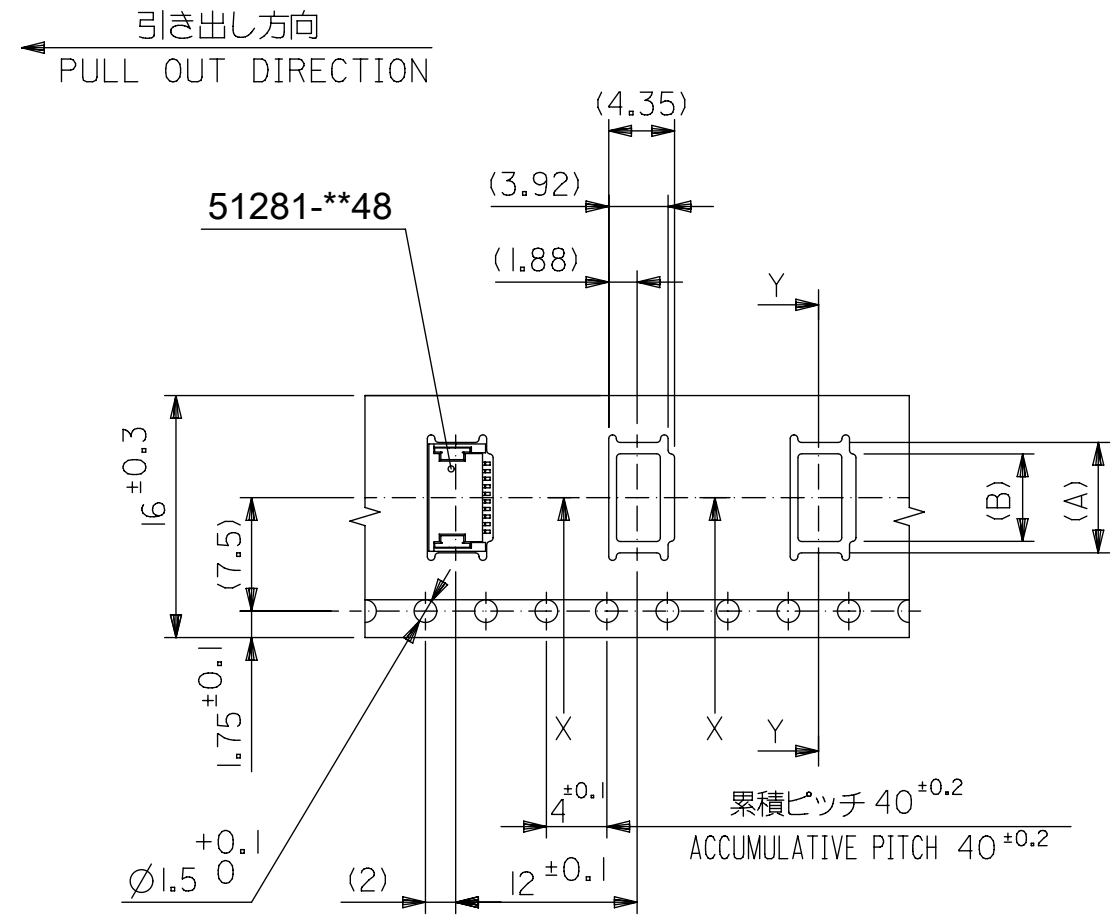
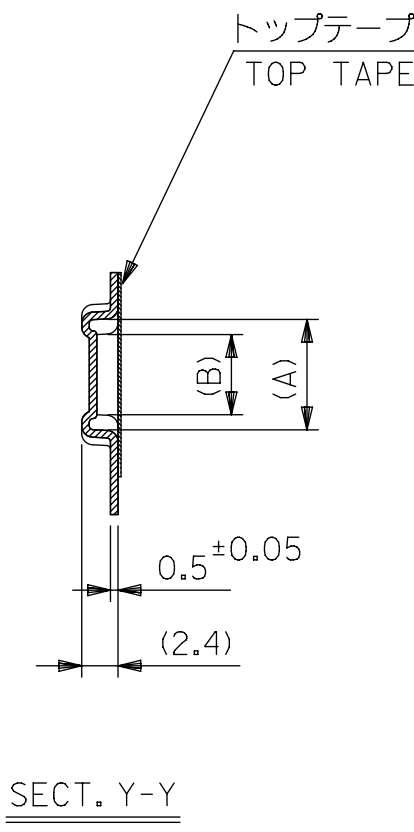


- トップテープの剥離強度：0.1N~1.3N {10gf~130gf}
(剥離方向は下図参照)
尚、本規格値は出荷時に適用。(但し、輸送時に剥離が発生しないこと。)
PEELING OFF FORCE OF TOP TAPE : 0.1N~1.3N {10gf~130gf}
(PEELING DIRECTION AS SHOWN IN FOLLOWING FIG.)
THIS REQUIREMENT SHOULD BE APPLIED AT SHIPMENT.
PEEL OFF SHOULD NOT BE ALLOWED , DURING TRANSPORTATION.



- 材料 (MATERIAL)
キャリアテープ (CARRIER TAPE) : ポリプロピレン (POLYPROPYLENE)
トップテープ (TOPTAPE) : PET , PE , PEF
リール (REEL) : ポリスチレン (PS) <リサイクル材含む>
POLYSTYRENE (PS) <RECYCLE MATERIAL CONTAINED>
- C, D 寸法は SHEET 2 ~ 3 を参照下さい。
SEE SHEET 2 ~ 3 (DIMENSION C, D).

THIS DRAWING CONTAINS INFORMATION THAT IS PROPRIETARY TO MOLEX ELECTRONIC TECHNOLOGIES, LLC AND SHOULD NOT BE USED WITHOUT WRITTEN PERMISSION									
DIMENSION UNITS		SCALE		CURRENT REV DESC:				molex	
mm		NTS							
GENERAL TOLERANCES (UNLESS SPECIFIED)				EC NO: 735884				0.5 FPC CONN NON-ZIF (HGT=1.2MM) EMBSTP PKG	
ANGULAR TOL ± 3.0°				DRWN: NARENC 2023/01/23				PRODUCT CUSTOMER DRAWING	
4 PLACES ± 0.2				CHK'D: YNUKANOBU 2023/01/23					
3 PLACES ± 0.2				APPR: YNAITO 2023/01/23				DOCUMENT NUMBER	
2 PLACES ± 0.2				INITIAL REVISION:					
1 PLACE ± 0.2				DRWN: NARENC 2022/05/16				512810000-SD	
0 PLACES ± 0.2				APPR: YNAITO 2022/05/30					
DRAFT WHERE APPLICABLE MUST REMAIN WITHIN DIMENSIONS		THIRD ANGLE PROJECTION		DRAWING		SERIES		MATERIAL NUMBER	
		A3-SIZE		51281		SEE SHEET 2 TO 4		CUSTOMER	
				GENERAL MARKET		SHEET NUMBER		1 OF 4	

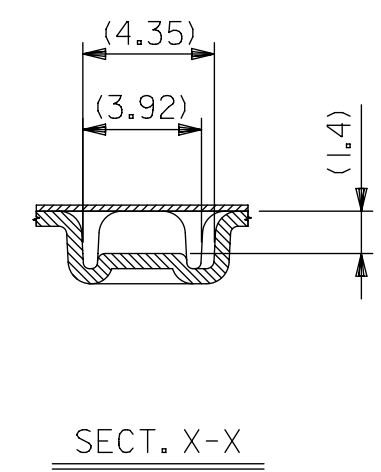
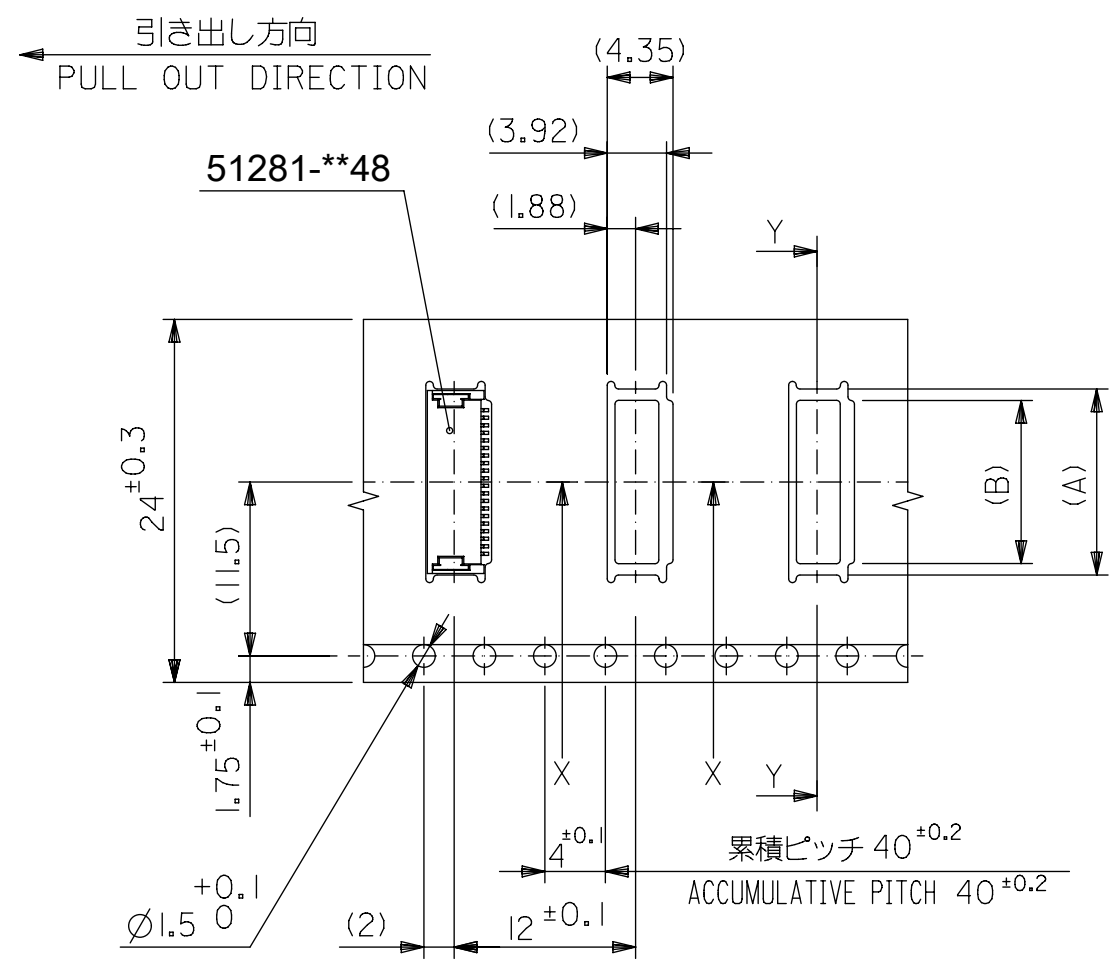
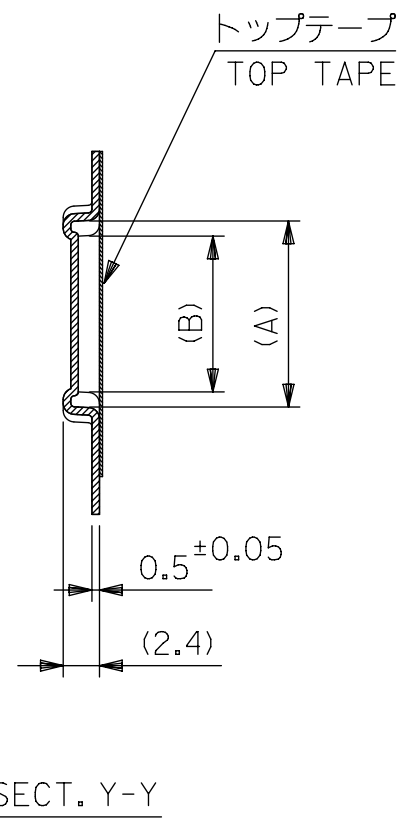


16mm幅キャリアテープ
16mm WIDTH CARRIER TAPE

16	21.4	17.4	4.3	6.3	51281-0898	8
			3.8	5.8	51281-0798	7
			3.3	5.3	51281-0698	6
			2.8	4.8	51281-0598	5
キャリアテープ幅 CARRIER TAPE WIDTH	D	C	(B)	(A)	製品番号 MATERIAL No.	極数 CIRCUIT

THIS DRAWING CONTAINS INFORMATION THAT IS PROPRIETARY TO MOLEX ELECTRONIC TECHNOLOGIES, LLC AND SHOULD NOT BE USED WITHOUT WRITTEN PERMISSION

DIMENSION UNITS mm	SCALE NTS	CURRENT REV DESC:		molex		
GENERAL TOLERANCES (UNLESS SPECIFIED)		EC NO: 735884				
ANGULAR TOL	± 3.0 °	DRWN: NARENC		PRODUCT CUSTOMER DRAWING		
4 PLACES	± 0.2	CHK'D: YNUKANOBU		DOCUMENT NUMBER		
3 PLACES	± 0.2	APPR: YNAITO		512810000-SD		
2 PLACES	± 0.2	INITIAL REVISION:		DOC TYPE		
1 PLACE	± 0.2	DRWN: NARENC		PSD		
0 PLACES	± 0.2	APPR: YNAITO		DOC PART		
DRAFT WHERE APPLICABLE MUST REMAIN WITHIN DIMENSIONS		THIRD ANGLE PROJECTION		REVISION		
		DRAWING		B		
		SERIES		SHEET NUMBER		
		A3-SIZE		2 OF 4		
		51281		MATERIAL NUMBER		
		SEE TABLE		CUSTOMER		
		GENERAL MARKET				

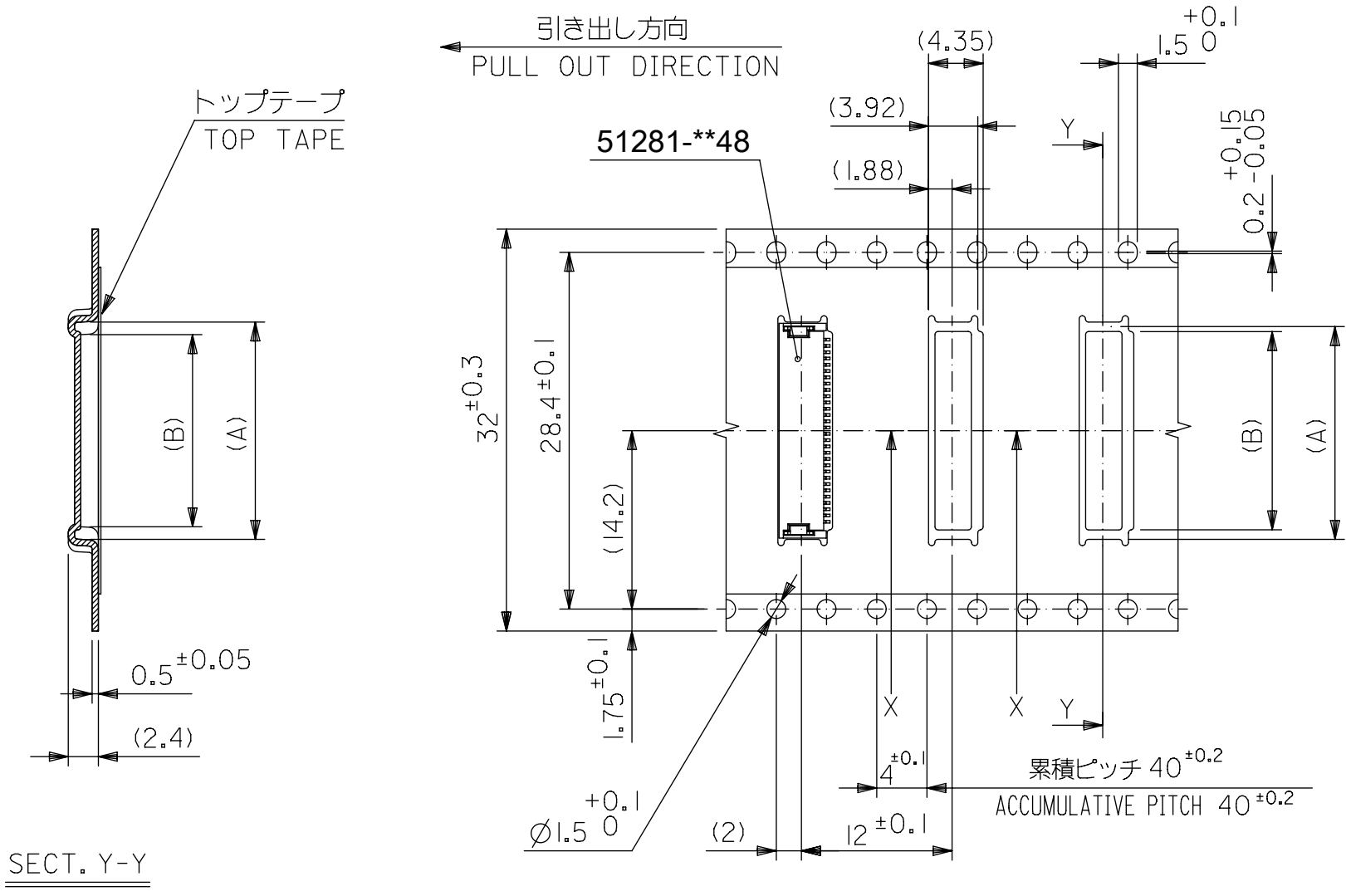


24mm幅キャリアテープ
24mm WIDTH CARRIER TAPE

24	29.4	25.4	12.3	14.3	51281-2498	24		
			11.3	13.3	51281-2298	22		
			10.3	12.3	51281-2098	20		
			9.3	11.3	51281-1898	18		
			8.3	10.3	51281-1698	16		
			7.3	9.3	51281-1498	14		
			6.3	8.3	51281-1298	12		
			5.8	7.8	51281-1198	11		
			5.3	7.3	51281-1098	10		
4.8	6.8	51281-0998	9					
キャリアテープ幅 CARRIER TAPE WIDTH			D	C	(B)	(A)	製品番号 MATERIAL No.	極数 CIRCUIT

THIS DRAWING CONTAINS INFORMATION THAT IS PROPRIETARY TO MOLEX ELECTRONIC TECHNOLOGIES, LLC AND SHOULD NOT BE USED WITHOUT WRITTEN PERMISSION

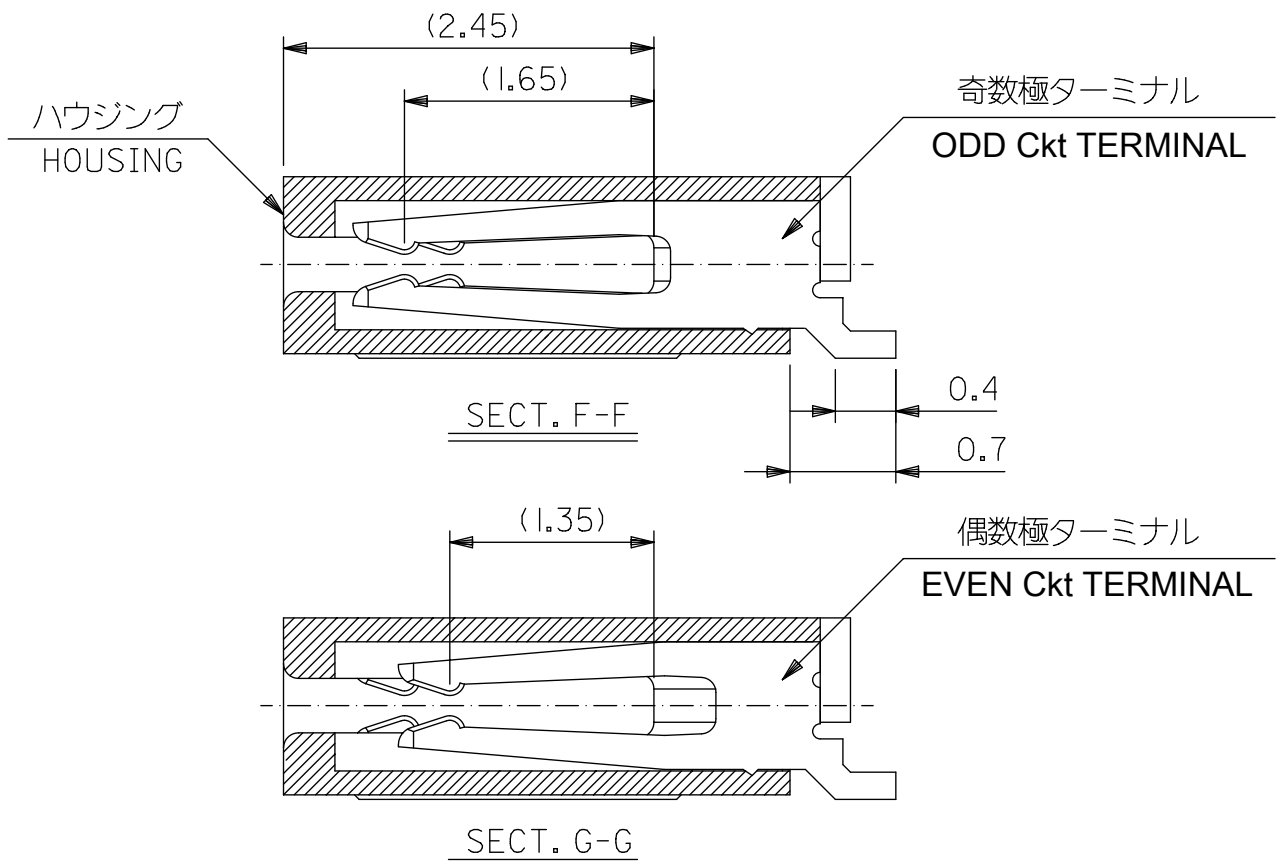
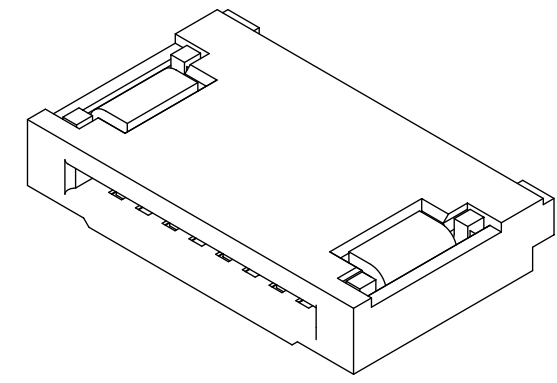
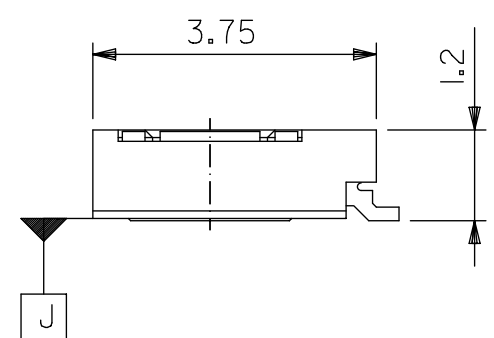
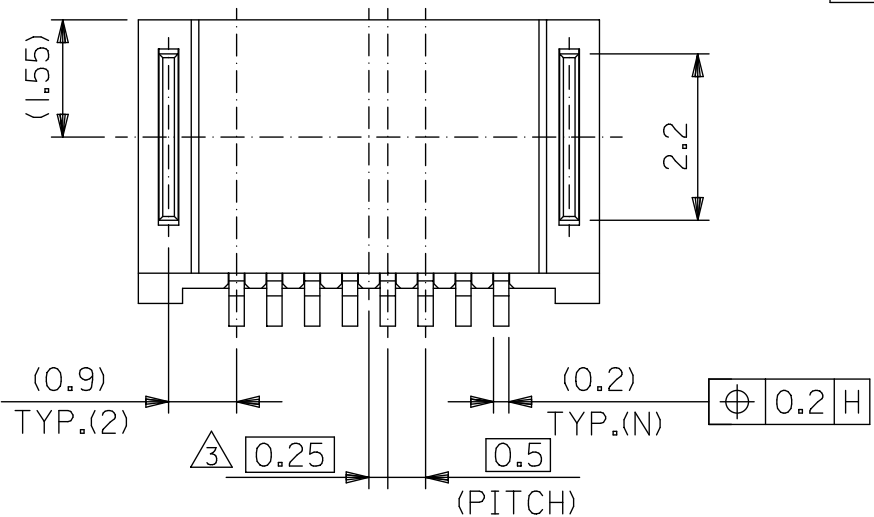
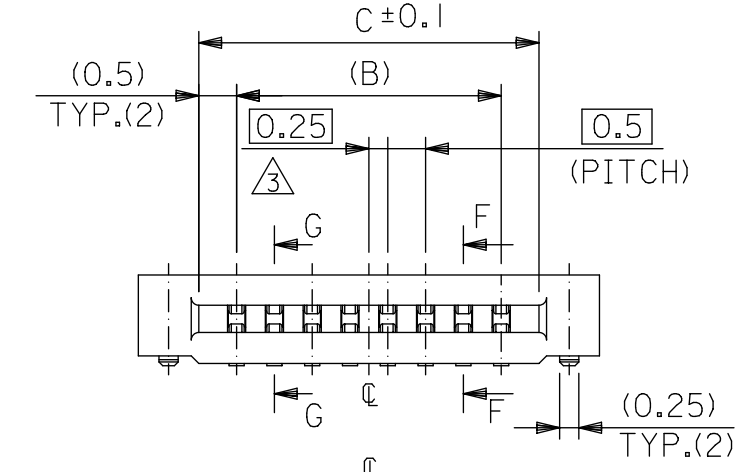
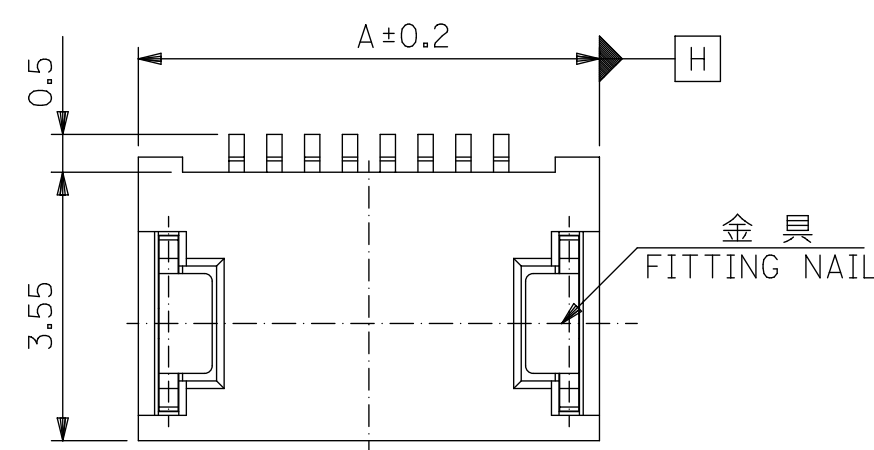
DIMENSION UNITS mm	SCALE NTS	CURRENT REV DESC:		molex			
GENERAL TOLERANCES (UNLESS SPECIFIED)		EC NO: 735884					
ANGULAR TOL	± 3.0 °	DRWN: NARENC 2023/01/23		PRODUCT CUSTOMER DRAWING			
4 PLACES	± 0.2	CHK'D: YNUKANOBU 2023/01/23		DOCUMENT NUMBER			
3 PLACES	± 0.2	APPR: YNAITO 2023/01/23		512810000-SD			
2 PLACES	± 0.2	INITIAL REVISION:		DOC TYPE			
1 PLACE	± 0.2	DRWN: NARENC 2022/05/16		PSD			
0 PLACES	± 0.2	APPR: YNAITO 2022/05/30		DOC PART			
DRAFT WHERE APPLICABLE MUST REMAIN WITHIN DIMENSIONS		THIRD ANGLE PROJECTION	DRAWING	SERIES	MATERIAL NUMBER	CUSTOMER	REVISION
			A3-SIZE	51281	SEE TABLE	GENERAL MARKET	B
							3 OF 4



32mm幅キャリアテープ
32mm WIDTH CARRIER TAPE

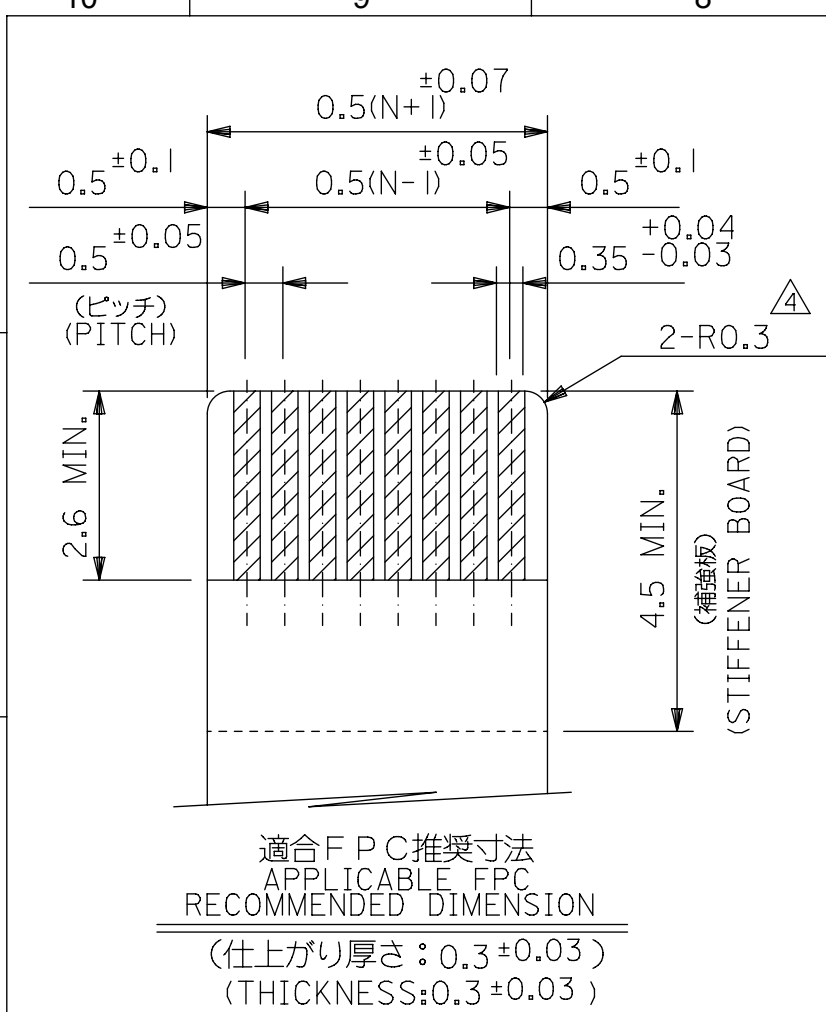
32	37.4	33.4	13.3	15.3	51281-2698	26
キャリアテープ幅 CARRIER TAPE WIDTH	D	C	(B)	(A)	製品番号 MATERIAL No.	極数 CIRCUIT

DIMENSION UNITS		SCALE		CURRENT REV DESC:				molex				
mm		NTS										
GENERAL TOLERANCES (UNLESS SPECIFIED)				EC NO: 735884				0.5 FPC CONN NON-ZIF (HGT=1.2MM) EMBSTP PKG				
ANGULAR TOL ± 3.0°				DRWN: NARENC 2023/01/23								
4 PLACES ± 0.2				CHK'D: YNUKANOBU 2023/01/23				PRODUCT CUSTOMER DRAWING				
3 PLACES ± 0.2				APPR: YNAITO 2023/01/23								
2 PLACES ± 0.2				INITIAL REVISION:				DOCUMENT NUMBER		DOC TYPE	DOC PART	REVISION
1 PLACE ± 0.2				DRWN: NARENC 2022/05/16				512810000-SD		PSD	000	B
0 PLACES ± 0.2				APPR: YNAITO 2022/05/30				MATERIAL NUMBER		CUSTOMER		SHEET NUMBER
DRAFT WHERE APPLICABLE MUST REMAIN WITHIN DIMENSIONS				THIRD ANGLE PROJECTION		DRAWING	SERIES	SEE TABLE	GENERAL MARKET		4 OF 4	

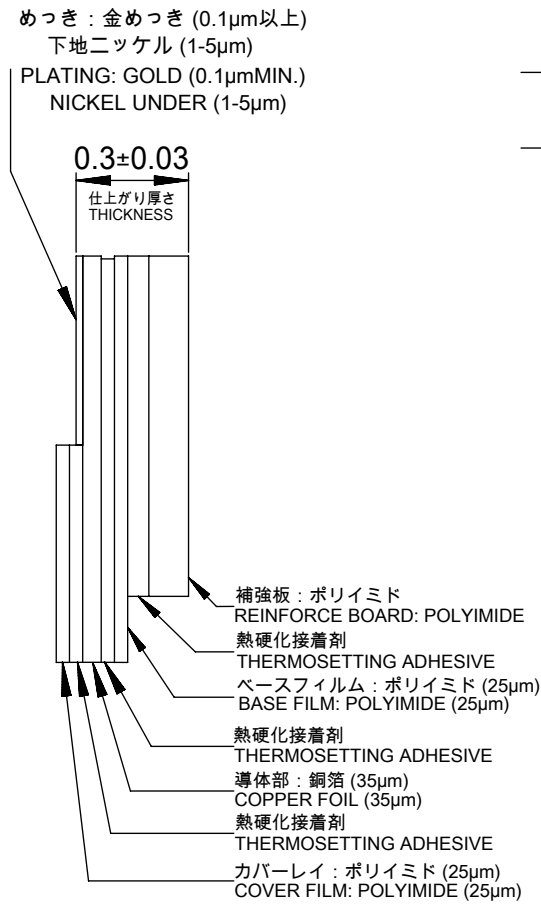


13.5	12.5	15.1	51281-2698	26
12.5	11.5	14.1	51281-2498	24
11.5	10.5	13.1	51281-2298	22
10.5	9.5	12.1	51281-2098	20
9.5	8.5	11.1	51281-1898	18
8.5	7.5	10.1	51281-1698	16
7.5	6.5	9.1	51281-1498	14
6.5	5.5	8.1	51281-1298	12
6.0	5.0	7.6	51281-1198	11
5.5	4.5	7.1	51281-1098	10
5.0	4.0	6.6	51281-0998	9
4.5	3.5	6.1	51281-0898	8
4.0	3.0	5.6	51281-0798	7
3.5	2.5	5.1	51281-0698	6
3.0	2.0	4.6	51281-0598	5
C	B	A	EMBOSSED TAPE	CIRCUIT
			ORDER No. オーダー番号	
CONNECTOR SERIES NO. : 51281-**48				

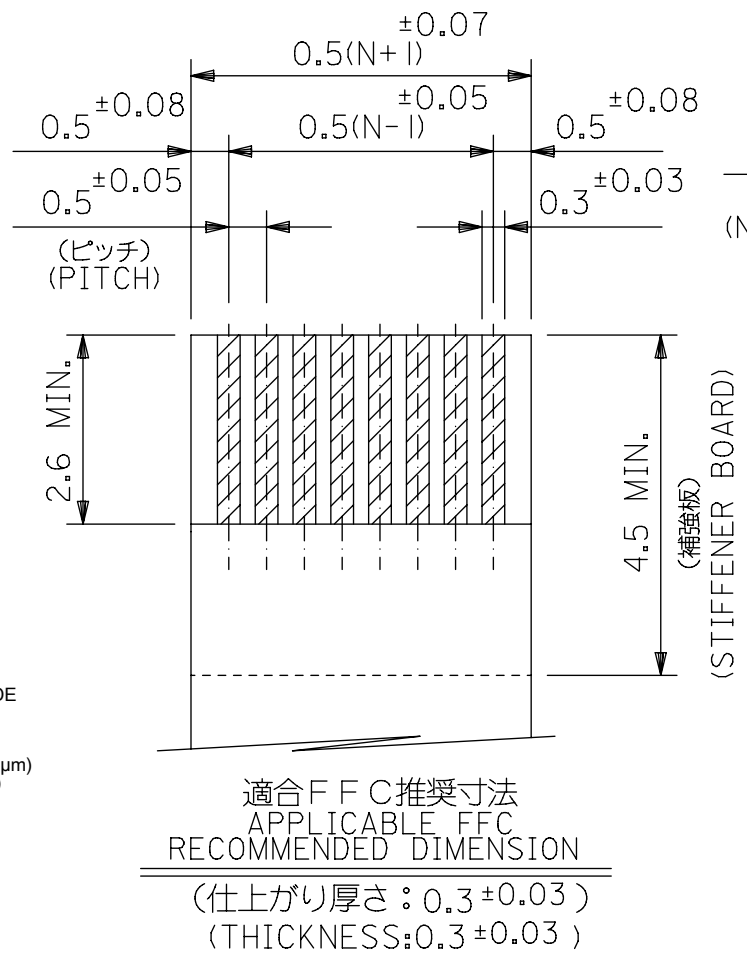
DIMENSION UNITS		SCALE	CURRENT REV DESC.			molex		
mm		NTS				0.5 FPC CONN NON-ZIF HSG ASSY (HGT=1.2MM)		
GENERAL TOLERANCES (UNLESS SPECIFIED)			EC NO: 736421			PRODUCT CUSTOMER DRAWING		
ANGULAR TOL ± 3.0°			DRWN: NARENC 2023/01/27			DOCUMENT NUMBER		
4 PLACES ± 0.2			CHK'D: YNUKANOBU 2023/01/30			512811000-SD		
3 PLACES ± 0.2			APPR: YNAITO 2023/01/30			DOC TYPE DOC PART REVISION		
2 PLACES ± 0.2			INITIAL REVISION:			PSD 000 B		
1 PLACE ± 0.2			DRWN: NARENC 2022/05/17			MATERIAL NUMBER		
0 PLACES ± 0.2			APPR: YNAITO 2022/05/30			CUSTOMER		
DRAFT WHERE APPLICABLE MUST REMAIN WITHIN DIMENSIONS			THIRD ANGLE PROJECTION			SHEET NUMBER		
			DRAWING			SEE TABLE		
			SERIES			GENERAL MARKET		
			A3-SIZE			1 OF 2		
			51281					



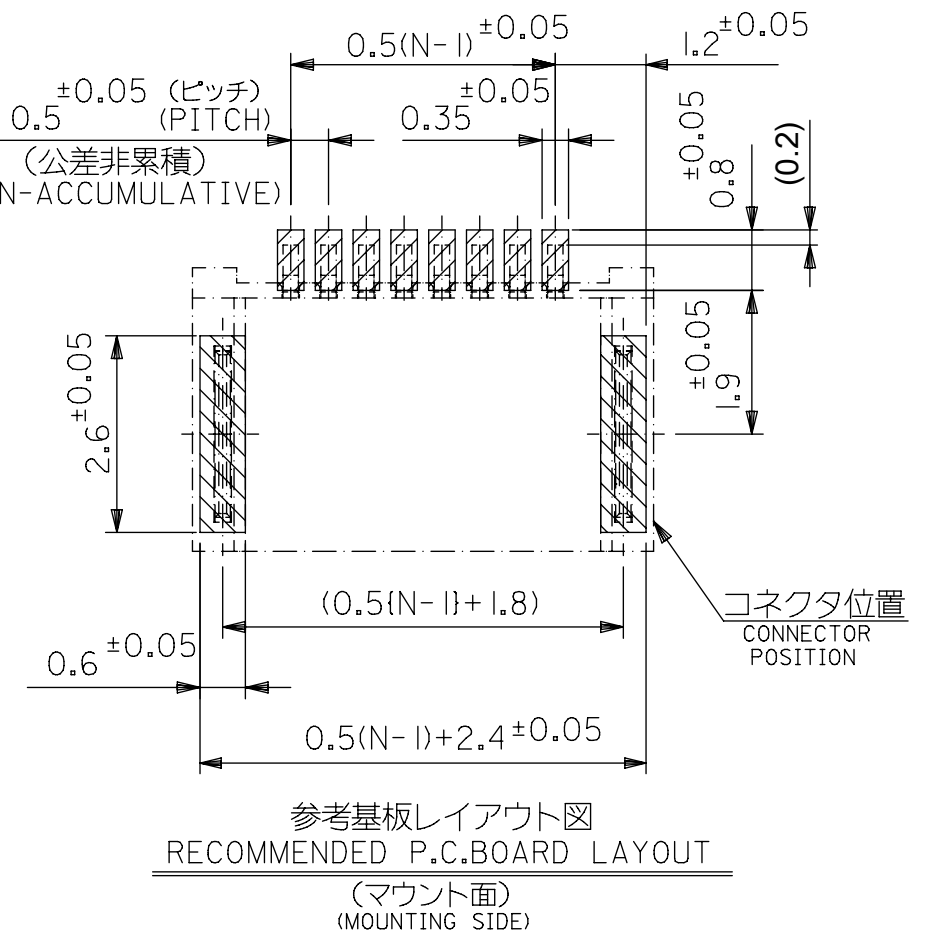
適合FPC推奨寸法
APPLICABLE FPC
RECOMMENDED DIMENSION
(仕上がり厚さ: 0.3 ± 0.03)
(THICKNESS: 0.3 ± 0.03)



FPC構成推奨仕様
STRUCTURE OF FPC



適合FFC推奨寸法
APPLICABLE FFC
RECOMMENDED DIMENSION
(仕上がり厚さ: 0.3 ± 0.03)
(THICKNESS: 0.3 ± 0.03)



参考基板レイアウト図
RECOMMENDED P.C.BOARD LAYOUT
(マウント面)
(MOUNTING SIDE)

注記 NOTES

1. 使用材料 MATERIAL

ハウジング: 液体ポリマー ガラス充填 UL94V-0
HOUSING: LIQUID CRYSTAL POLYMER (GRASS FILLED) UL94-0
ターミナル: リン青銅 (t=0.2), ニッケル下地, コンタクト部: 金メッキ, テール部: 錫メッキ
TERMINAL: PHOSPHOR-BRONZE, CONTACT: GOLD, TAIL: TIN, OVER NICKEL PLATING
金具: リン青銅 (t=0.25), ニッケル下地 純錫メッキ

2. FITTING NAIL: PHOSPHOR-BRONZE, PURE-TIN OVER NICKEL PLATING
ソルダーテール半田付け面のズレ量、及び金具半田付け面のズレ量は、基準面 J に対し、
上方向 0.1 MAXIMUM 下方向 0.15 MAXIMUMとする。
又、相互のバラツキ量は 0.1 MAXIMUMとする。

MISALIGNMENT OF SOLDER TAILS AND FITTING NAILS FROM J
UPPER DIRECTION; 0.1 MAXIMUM, LOWER DIRECTION; 0.15 MAXIMUM.
OFFSET BETWEEN SOLDER TAILS AND FITTING NAILS; 0.1 MAXIMUM.

3. 偶数極に適用
TO BE APPLIED ONLY WHEN ALL CIRCUITS ARE EVEN.

4. R0.3は、FPCの導体部にかからないこと。
R0.3 MUST NOT BE OVERLAPPED TO PATTERN OF FPC.

5. FPC/FFCについて:
打抜き方向は導体側から補強版側を推奨いたします。
導体部については軟銅箔35μmまたは50μm
メッキ厚0.1 μm以上金メッキ(電気メッキ)を推奨いたします。
RECOMMENDED PUNCH DIRECTION:
FROM CONDUCTOR SIDE TO STIFFENER BOARD SIDE.
RECOMMENDED CONDUCTOR SPEC:
THICKNESS OF SOFT COPPER FOIL: 35 μm or 50 μm
GOLD PLATING: 0.1 μm MIN. (ELECTRICAL PLATING)

6. 本製品は51281-**20の鉛フリー品である。
THIS PRODUCT IS LEAD FREE OF 51281-**20.
7. ソルダーテールの平坦度は、0.1 MAXIMUMとする。
SOLDER TAIL COPLANARITY IS 0.1 MAXIMUM.

THIS DRAWING CONTAINS INFORMATION THAT IS PROPRIETARY TO MOLEX ELECTRONIC TECHNOLOGIES, LLC AND SHOULD NOT BE USED WITHOUT WRITTEN PERMISSION		CURRENT REV DESC:		molex			
DIMENSION UNITS	SCALE						
mm	NTS			PRODUCT CUSTOMER DRAWING			
GENERAL TOLERANCES (UNLESS SPECIFIED)		EC NO: 736421		DOCUMENT NUMBER			
ANGULAR TOL ± 3.0°		DRWN: NARENC 2023/01/27		512811000-SD			
4 PLACES ± 0.2		CHK'D: YNUKANOBU 2023/01/30		DOC TYPE DOC PART REVISION			
3 PLACES ± 0.2		APPR: YNAITO 2023/01/30		PSD 000 B			
2 PLACES ± 0.2		INITIAL REVISION:		MATERIAL NUMBER CUSTOMER			
1 PLACE ± 0.2		DRWN: NARENC 2022/05/17		SEE SHEET 1 GENERAL MARKET			
0 PLACES ± 0.2		APPR: YNAITO 2022/05/30		SHEET NUMBER			
DRAFT WHERE APPLICABLE MUST REMAIN WITHIN DIMENSIONS		THIRD ANGLE PROJECTION	DRAWING	SERIES	MATERIAL NUMBER	CUSTOMER	SHEET NUMBER
			A3-SIZE	51281	SEE SHEET 1	GENERAL MARKET	2 OF 2