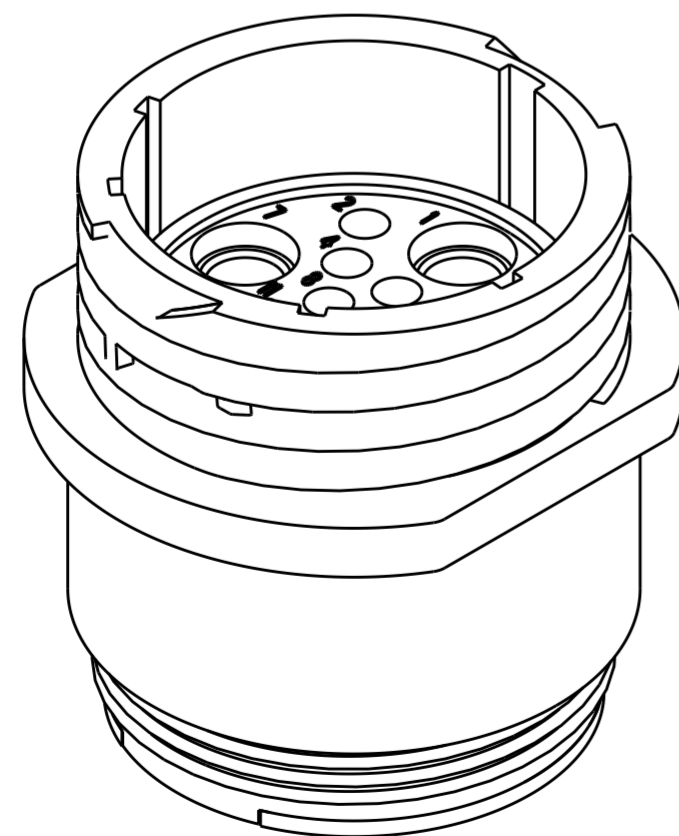
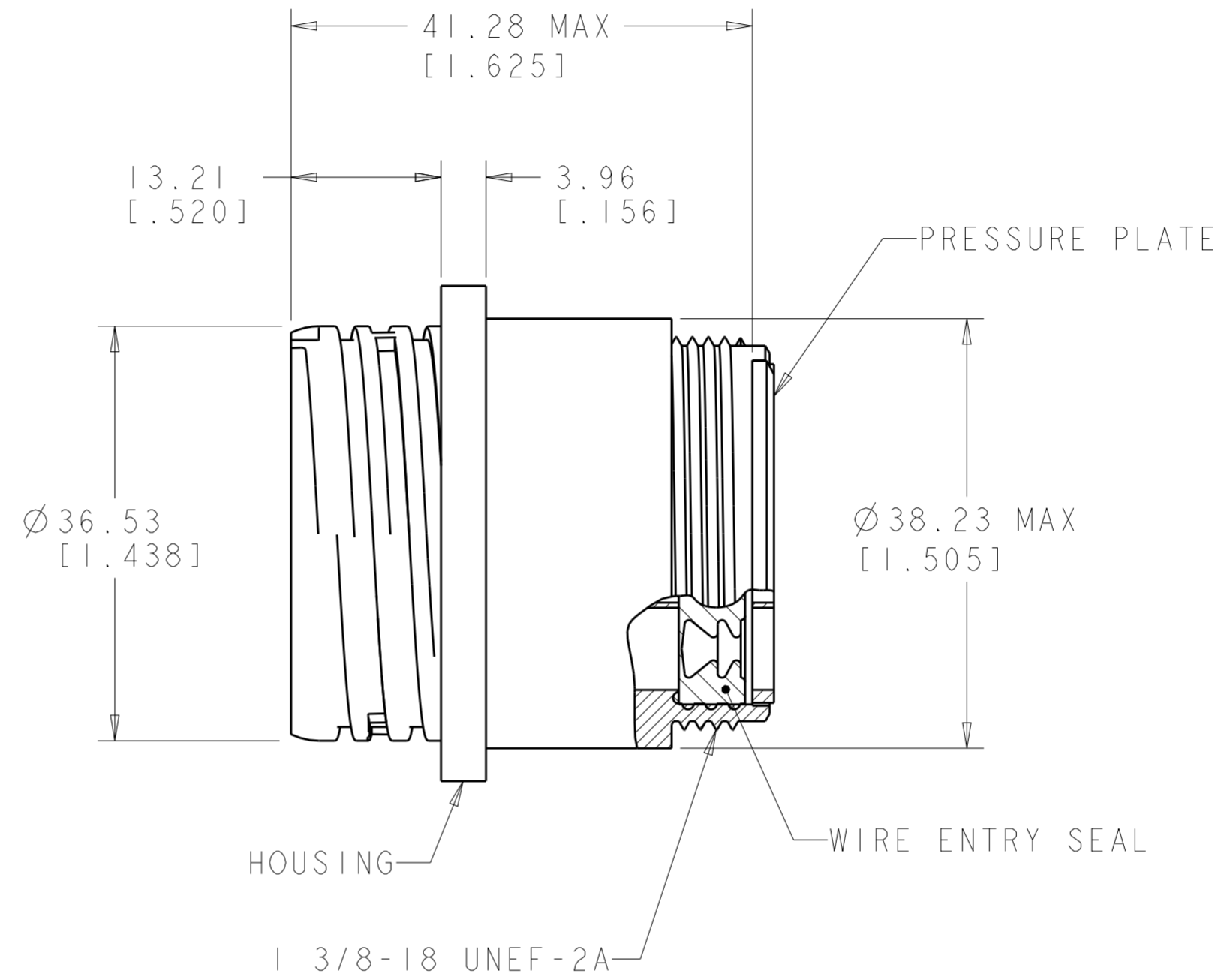
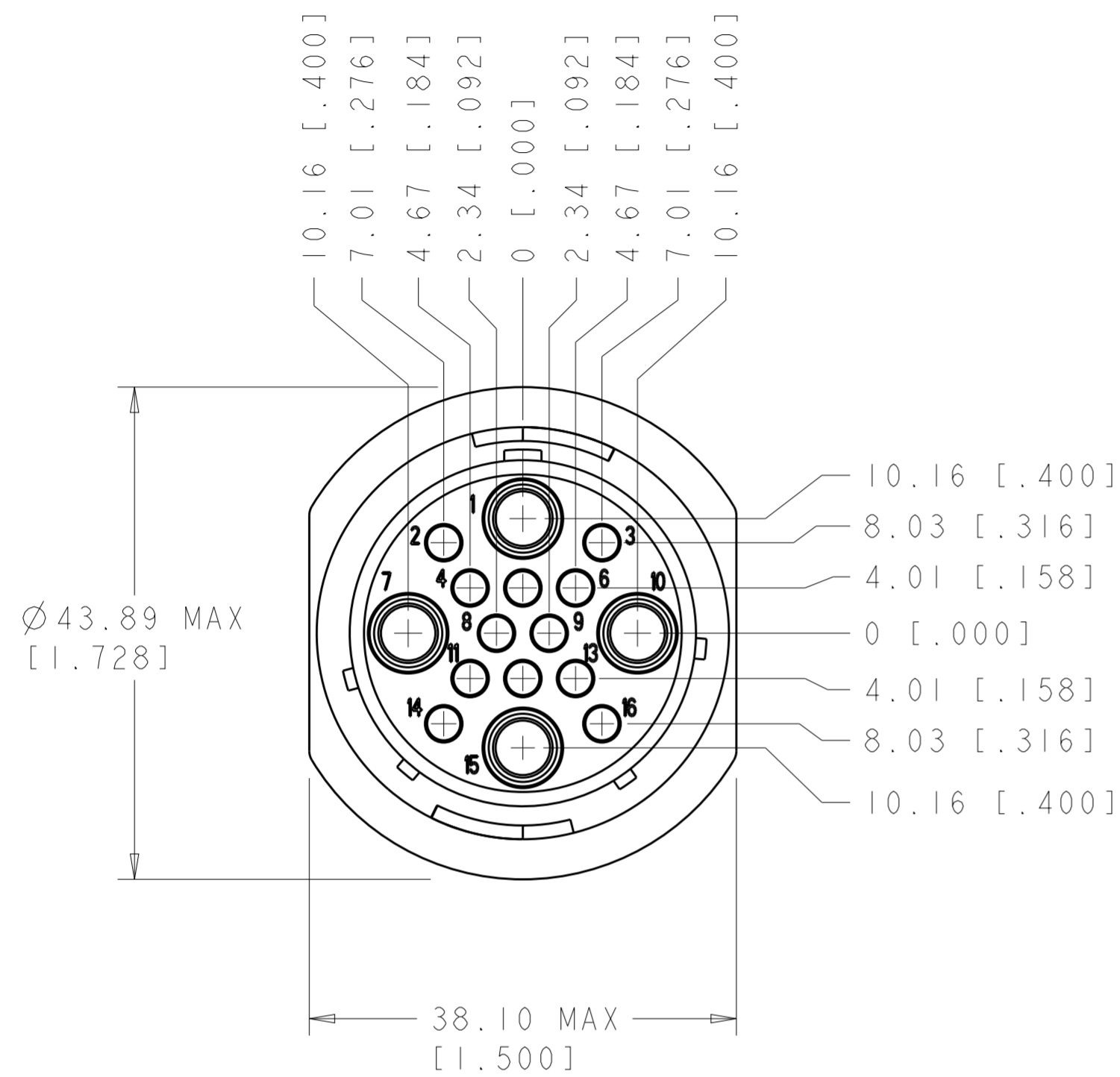


P	LTR	DESCRIPTION	DATE	DWN	APVD
A		NEW DRAWING PER ECO-12-018480	15NOV2012	KH	MZ
B		REVISED PER ECO-19-011232	08AUG2019	RS	MZ



△ HOUSING & PRESSURE PLATE: NYLON, BLACK.
 WIRE ENTRY SEAL: ELASTOMER, RED-IRON OXIDE.
 PERIPHERAL SEAL: ELASTOMER, BLACK.
 2. WILL ACCEPT (12) MULTIMATE PINS AND (4) POWER MALE CONTACTS.

1977891-1
 PART NUMBER

THIS DRAWING IS A CONTROLLED DOCUMENT.		DWN KIRAN HOLAJI 15NOV2012	TE Connectivity
DIMENSIONS: mm [INCHES]		CHK M. ZITTO 15NOV2012	
TOLERANCES UNLESS OTHERWISE SPECIFIED: 0 PLC ± 1 PLC ± 2 PLC ±0.02 3 PLC ± 4 PLC ± ANGLES ± FINISH -		APVD M. ZITTO 15NOV2012	
MATERIAL △		PRODUCT SPEC 108-1579 APPLICATION SPEC - WEIGHT -	
CUSTOMER DRAWING			NAME CPC FREE HANGING RECEPTACLE ASSEMBLY SERIES 6, SEALED, 23-16, STANDARD SEX, UV RESISTANT SIZE A200779 CAGE CODE C-1977891 DRAWING NO 1977891-1 RESTRICTED TO B
SCALE 2:1			SHEET 1 OF 1 REV B