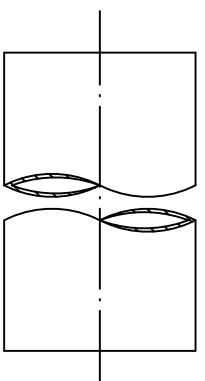
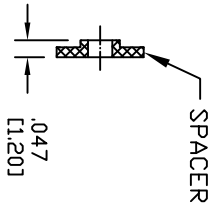
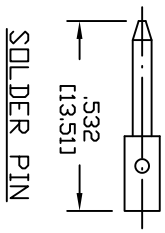
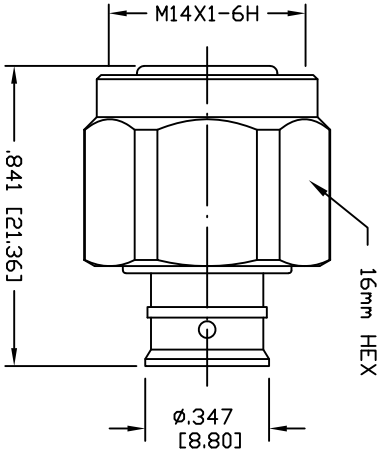


PART NO.		<b>RFD-225M-HPL</b>	
REV	DESCRIPTION	DWN	DATE
—	ENGINEERING RELEASE	CZS	10/05/20
			APPROVED
			JDMc

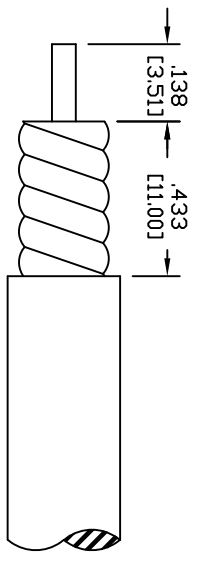


TUBING NOT TO SCALE

**SPECIFICATIONS:**

INTERFACE: IEC61169-54  
 IMPEDANCE: 50 Ohms  
 FREQUENCY RANGE: 0-6 GHz  
 INSERTION LOSS: -.01 dB MAX  
 VSWR: <1.15:1 THRU 3 GHz  
 3rd ORDER IM: S-160 dBc @ 700 MHz & 1900 MHz  
 3rd ORDER IM TEST METHOD: 2x43 dBm CARRIERS  
 DC TEST VOLTAGE: 2500 V @ SEA LEVEL  
 INSULATION RESISTANCE: 5000 MΩ  
 TEMPERATURE RANGE: -55°C TO 90°C  
 MATING TORQUE: 3 Nm (2.2/5)  
 MATING CYCLES: >500  
 NET WEIGHT: 0.05 lb  
 CERTIFICATIONS: RoHS  
 ENVIRONMENTAL: IEC 60529, IPX8 (2.5 BAR, 1 HOUR)  
 IEC 61169-1 CLAUSE 9.4.6 48 HOUR SALT MIST, 35°C  
 USED ON: SPP-250-LLPP, SPO-250, SCF14-50U, SPF-250,  
 FSJ1-50A, SCF14-50U, PTS1-50-P, TFT-401, EC1-50-HF

#	DESCRIPTION	QTY	MATERIAL	FINISH
7	COUPLING NUT	1	BRASS	CUSnZn
6	O-RING	1	RUBBER	RED
5	C-RING	1	SST	CUSnZn
4	SPACER	1	PIFE	NATURAL
3	CONTACT	1	BRASS	SILVER
2	INSULATOR	1	PIFE	NATURAL
1	BODY	1	BRASS	CUSnZn



RECOMMENDED STRIPING DIMENSIONS  
 USE COMPATIBLE TRIM TOOL SUCH AS MCPT-1412

CUSTOMER OUTLINE DRAWING  
 ALL DIMENSIONS ARE REFERENCE ONLY  
 UNLESS OTHERWISE SPECIFIED:  
 DIMENSIONS ARE IN INCHES AND [MILLIMETERS]

**ROHS COMPLIANT**  
 PROPRIETARY AND CONFIDENTIAL  
 THIS DRAWING CONTAINS INFORMATION PROPRIETARY TO RF INDUSTRIES. ANY UNAUTHORIZED USE OF THIS DRAWING IS EXPRESSLY PROHIBITED WITHOUT WRITTEN PERMISSION FROM RF INDUSTRIES. ANY VIOLATION IS PUNISHABLE UNDER U.S. COPYRIGHT LAWS.

**RF Industries**  
 DIVISION OF RF INDUSTRIES, LTD. (858) 549-6345 FAX  
 RFINDUSTRIES.COM  
 7610 MIRAMAR RD.  
 SAN DIEGO, CA 92126  
 (858) 549-6340

**2.5/5 PLUG**  
 FOR 1/4" SUPERFLEX CABLE

DRW	CHECKED	10/05/20	FORMAT	SCALE	CONTROL #	SHEET 1 OF 1
C. ZUNIGA			A	NTS	000000	

CABLE GROUP DWG #  
**RFD-225M-HPL**  
 REVISION —