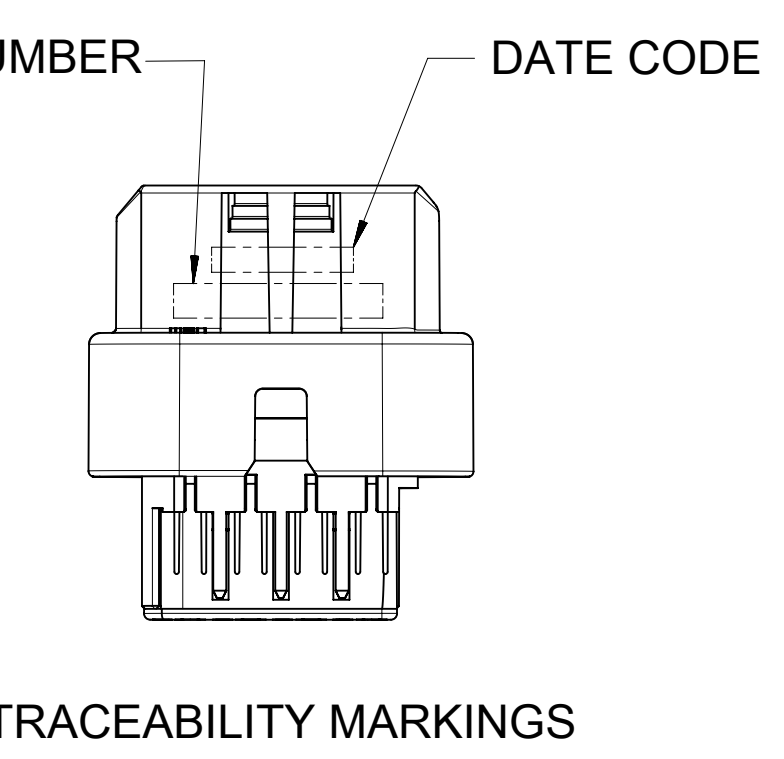
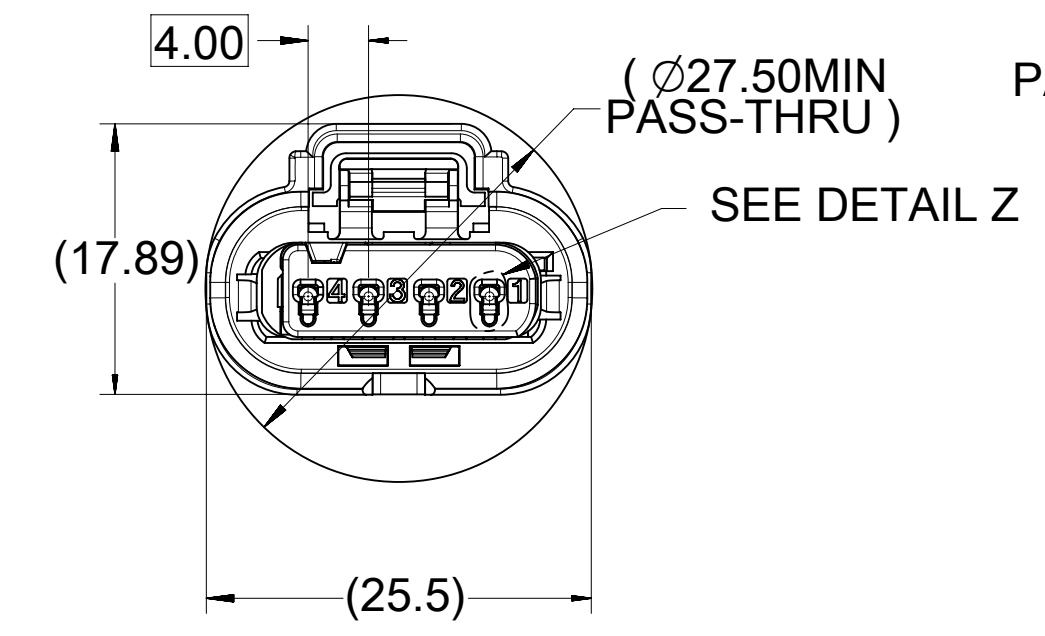
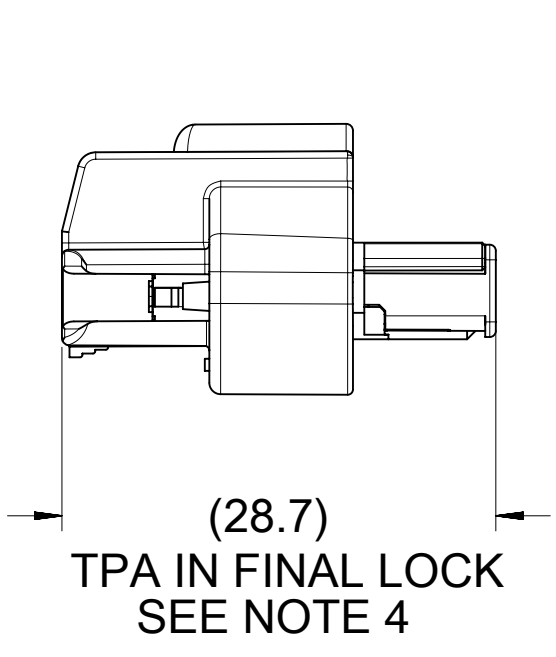
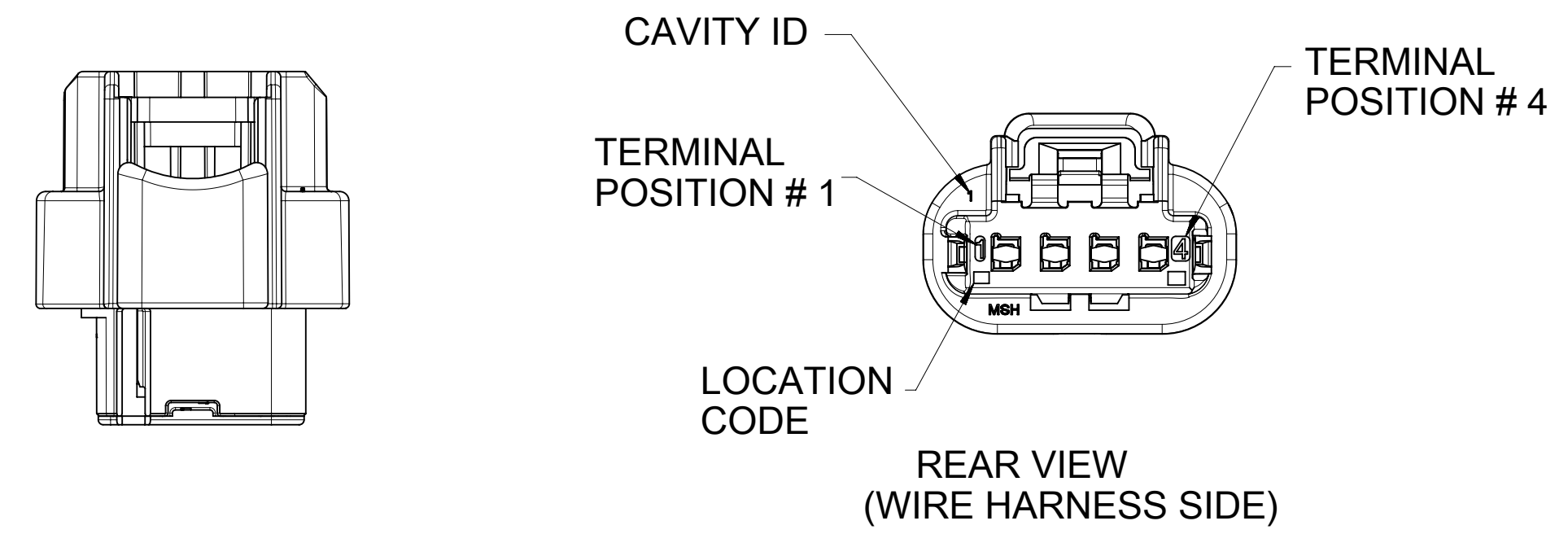
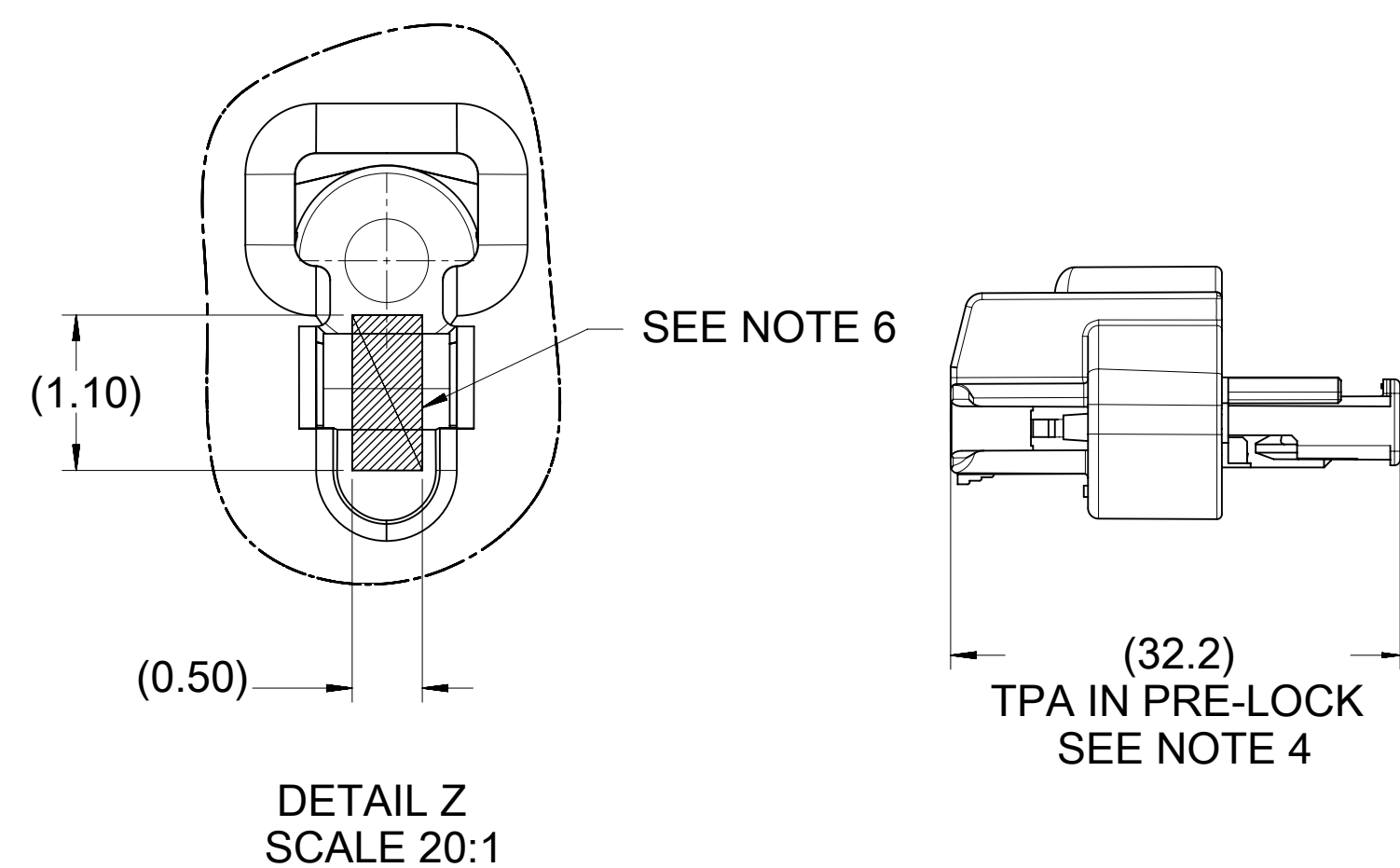
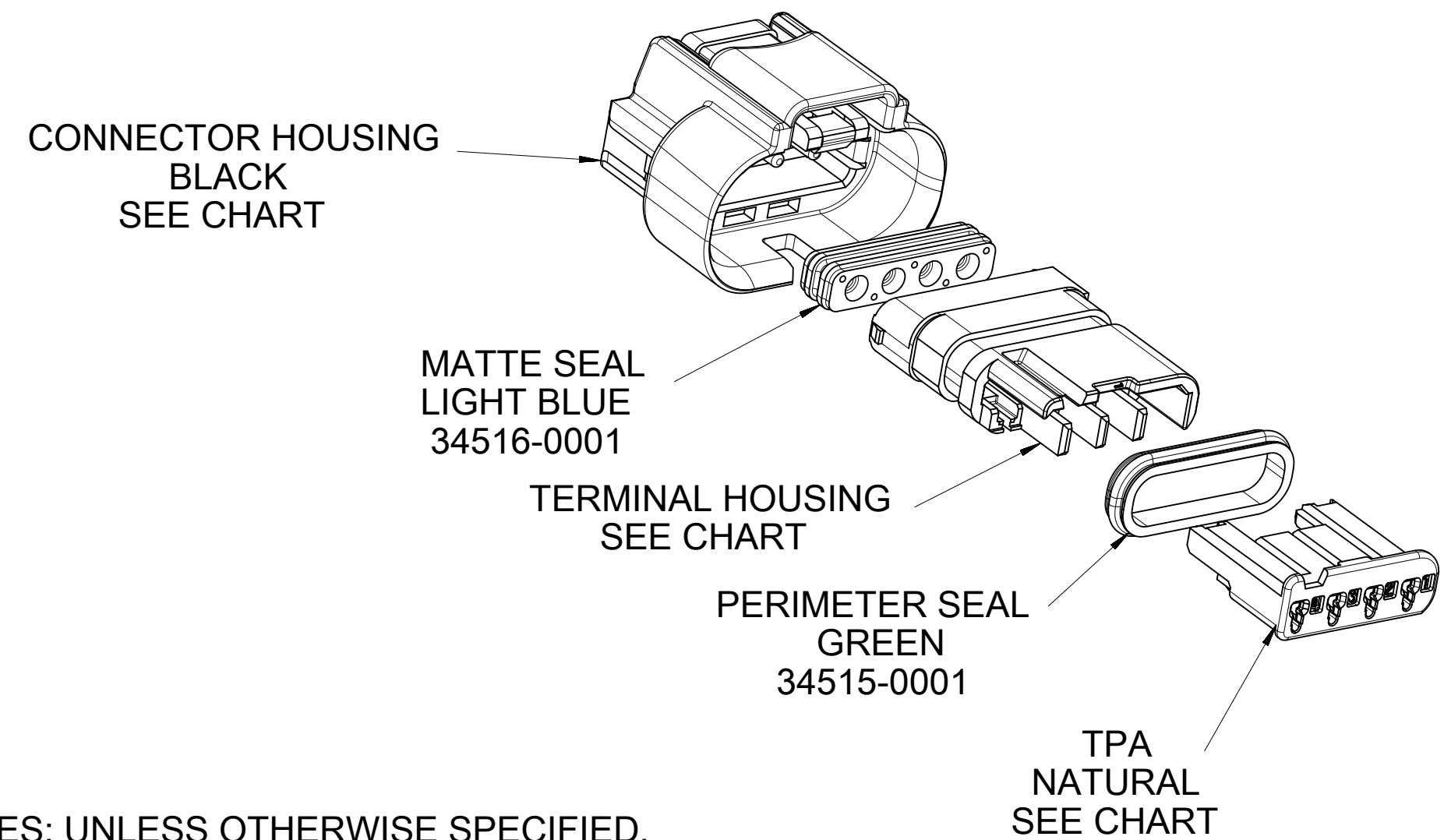
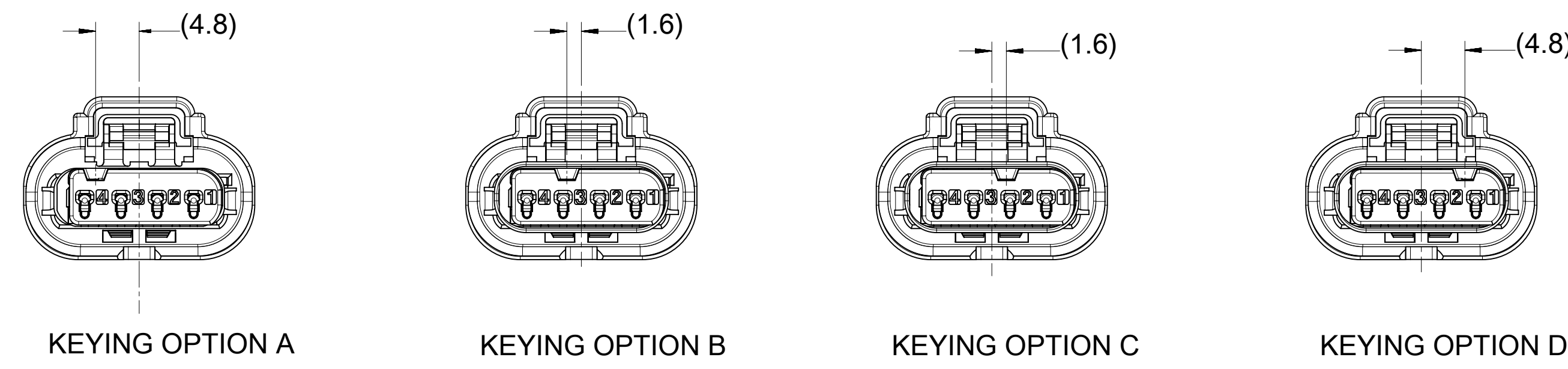
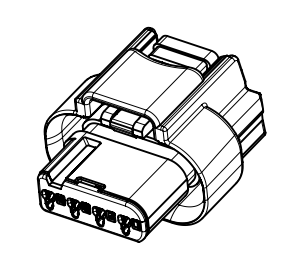


| ASSEMBLY PART NO. | TPA PART NO. | CONNECTOR HOUSING NO. | TERMINAL HOUSING | | KEYING OPTION | NUMBER OF PLUGGED POSITIONS | CAVITY STATUS (X = PLUGGED) | | | | TOOLED |
|-------------------|--------------|-----------------------|------------------|------------|---------------|-----------------------------|-----------------------------|---|---|---|--------|
| | | | PART NUMBER | COLOR | | | 1 | 2 | 3 | 4 | |
| 34511-1001 | 34514-0001 | 34512-0003 | 34513-0001 | BLACK | A | 0 | | | | | X |
| 34511-1002 | 34514-0002 | 34512-0003 | 34513-0002 | LIGHT GRAY | B | 0 | | | | | |
| 34511-1003 | 34514-0003 | 34512-0003 | 34513-0003 | BROWN | C | 0 | | | | | |
| 34511-1004 | 34514-0004 | 34512-0003 | 34513-0004 | DARK GRAY | D | 0 | | | | | |



- NOTES: UNLESS OTHERWISE SPECIFIED.
- MATERIAL
PLASTIC: GLASS FILLED SPS RESIN
SEALS: SILICONE
 - FOR RECEPTACLE TERMINAL TO BE USED WITH THIS ASSEMBLY SEE MOLEX DRAWING SD-33468-001. TERMINAL BOX AND CRIMP SHOULD BE PARALLEL TO EACH OTHER WITHIN ONE DEGREE (1°) TO PREVENT TERMINAL STUBBING.
 - DESIGNED TO MATE WITH HIRSCHMANN DRAWING 872-975-XXX VARIANTE 1 WITH FORM 1 BLADES ON DRAWING 1 99 51 50733 1.
 - ASSEMBLY SHIPPED WITH TPA IN PRE-LOCK POSITION. EACH TPA MUST BE SNAPPED INTO FINAL LOCK POSITION UPON FULL TERMINAL ASSEMBLY.
 - SYSTEM TO BE USED WITH SAE 18 AWG, 20 AWG AND 22 AWG WIRES WITH DIAMETERS IN THE RANGE OF 1.5 MM TO 2.13 MM.
 - TO PREVENT TERMINAL BEAM DAMAGE, USE RECTANGULAR FLAT TIPPED PROBES FOR TERMINAL PROBING.
 - TPA FORCES
A. ENGAGEMENT FORCE - WITH TERMINALS (PRE-LOCK TO FINAL-LOCK): 70 N MAX
B. DISENGAGEMENT FORCE - WITH TERMINALS (FINAL-LOCK TO PRE-LOCK): 15N MIN
 - FOR RECYCLING INFORMATION CONTACT MOLEX.
 - SHALL CONFORM TO THE FOLLOWING PACKAGING SPECIFICATION NUMBER: PK-31300-163
 - FINISHED ASSEMBLIES TO BE MARKED WITH DATE CODE AND PART NUMBER.
 - TPA'S MAY BECOME SEATED DURING TRANSIT. IF THIS OCCURS, TPA'S SHOULD BE MOVED TO THE PRE-LOCKED POSITION PRIOR TO FEMALE TERMINAL INSTALLATION.
 - FORCE TO BE APPLIED TO SECONDARY LOCK FOR CAVITY DAMAGE SUSCEPTIBILITY TESTING (USCAR 5.4.9) TO BE 60 N.



| | | | | | | | | | | | |
|---|--|------------------------|--|------------------------------------|--|-----------|--|-----------------|--|--------------|--|
| THIS DRAWING CONTAINS INFORMATION THAT IS PROPRIETARY TO MOLEX ELECTRONIC TECHNOLOGIES, LLC AND SHOULD NOT BE USED WITHOUT WRITTEN PERMISSION | | | | | | | | | | | |
| DIMENSION UNITS | | SCALE | | CURRENT REV DESC: OBSOLETE PART NO | | | | | | | |
| mm | | 2:1 | | | | | | | | | |
| GENERAL TOLERANCES (UNLESS SPECIFIED) | | | | EC NO: 625872 | | | | | | | |
| ANGULAR TOL ± ° | | | | DRWN: AKUMAR19 | | | | 2019/06/12 | | | |
| 4 PLACES ± | | | | CHK'D: GB | | | | 2019/11/06 | | | |
| 3 PLACES ± | | | | APPR: GGA | | | | 2019/11/12 | | | |
| 2 PLACES ± | | | | INITIAL REVISION: | | | | | | | |
| 1 PLACE ± | | | | DRWN: BFLOWERS | | | | 2004/04/12 | | | |
| 0 PLACES ± | | | | APPR: SMARCEAU | | | | 2004/04/13 | | | |
| DRAFT WHERE APPLICABLE MUST REMAIN WITHIN DIMENSIONS | | THIRD ANGLE PROJECTION | | DRAWING | | SERIES | | MATERIAL NUMBER | | CUSTOMER | |
| | | D-SIZE | | 34511 | | SEE TABLE | | GENERAL MARKET | | SHEET NUMBER | |
| | | | | | | | | | | 1 OF 1 | |