

6

5

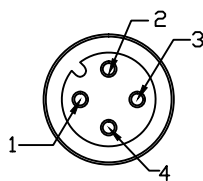
4

3

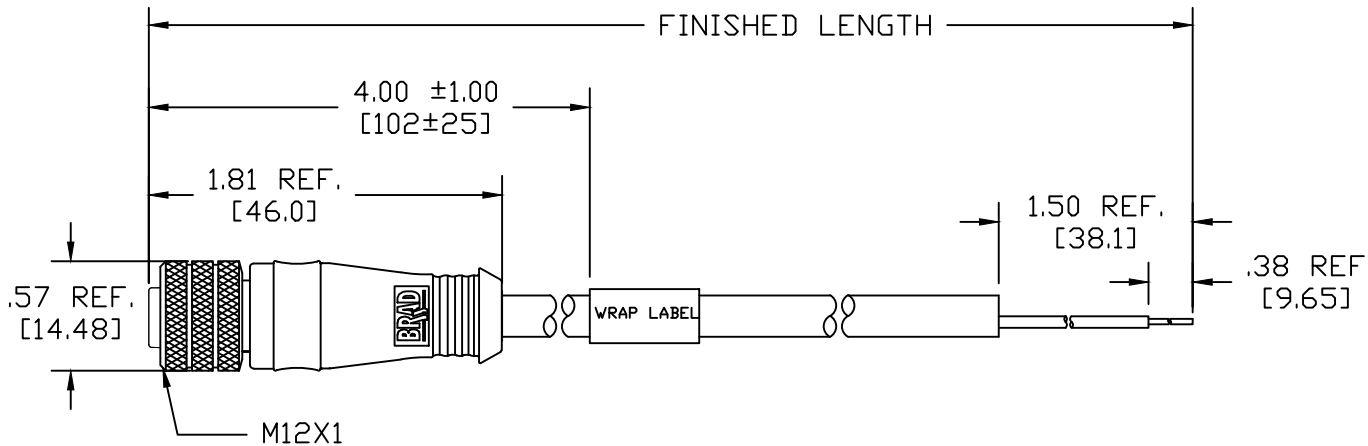
2

1

FEMALE INSERT
FRONT VIEW



- 1 BROWN
- 2 WHITE
- 3 BLUE
- 4 BLACK



804000J50M020

Wire type
22/4C AWG light
Gray PVC

cable length
M020-----2 Meter
M100-----10 Meter

MECHANICAL
CONTACT : GOLD/NICKEL OVER COPPER ALLOY
INSERT : BLACK PUR
O-RING: RED VITON
COUPLING NUT: TEFLON COAT OVER NICKEL PLATED BRASS
MOLDED BODY: GRAY PVC
CABLE: 22 AWG 4 CONDUCTORS LIGHT GRAY PVC JACKET
CABLE MARKING: RJ AWM STYLE 2937 VW-1 80C 300V E65859
SWCC SHOWA CSA AWM II A 80C 300V FT1 LL40873
22AWGX4C 1-BROWN 2-WHITE 3-BLUE 4-BLACK LF
WRAP LABEL: MYLAR WHITE WITH BLACK LETTERS

ELECTRICAL
VOLTAGE RATING: 250V AC/DC
AMPERAGE: 4A

ENVIRONMENTAL
PROTECTION: IP67 PER IEC 60529
IP68 PER SPEC PS-120001-001
OPERATION TEMP: 0°C~80°C

RELEASE EC NO: WEU2012-0002 DRWN: TWOLDEGE 2011/07/18 CHKD: VOU APPR: JFMURPHY 2012/04/17 REV	QUALITY SYMBOLS	GENERAL TOLERANCES (UNLESS SPECIFIED)		DIMENSION STYLE	SCALE	DESIGN UNITS	THIRD ANGLE PROJECTION	
	$\nabla=0$ $\sphericalangle=0$	mm	INCH	IN/MM	1:1	INCH		
		4 PLACES	±---	±---	DRAWN BY DATE	TITLE		
	A		3 PLACES	±---	TWOLDEGE 2011/07/18	MICRO CHANGE ASSEMBLY 4-POLE FEMALE STRAIGHT 22/4 AWG LIGHT GRAY PVC		
		2 PLACES	±0.13	±0.010	CHECKED BY DATE	MOLEX INCORPORATED		
		1 PLACE	±.25	±0.020	VOU ---	SD-120001-001		
		ANGULAR ±---°		APPROVED BY DATE	SHEET NO.			
		DRAFT WHERE APPLICABLE MUST REMAIN WITHIN DIMENSIONS		JFMURPHY 2012/04/17	1 OF 1			
				MATERIAL NO.	THIS DRAWING CONTAINS INFORMATION THAT IS PROPRIETARY TO MOLEX INCORPORATED AND SHOULD NOT BE USED WITHOUT WRITTEN PERMISSION			

6

5

4

3

2

1

E

E

D

D

C

C

B

B

A

A