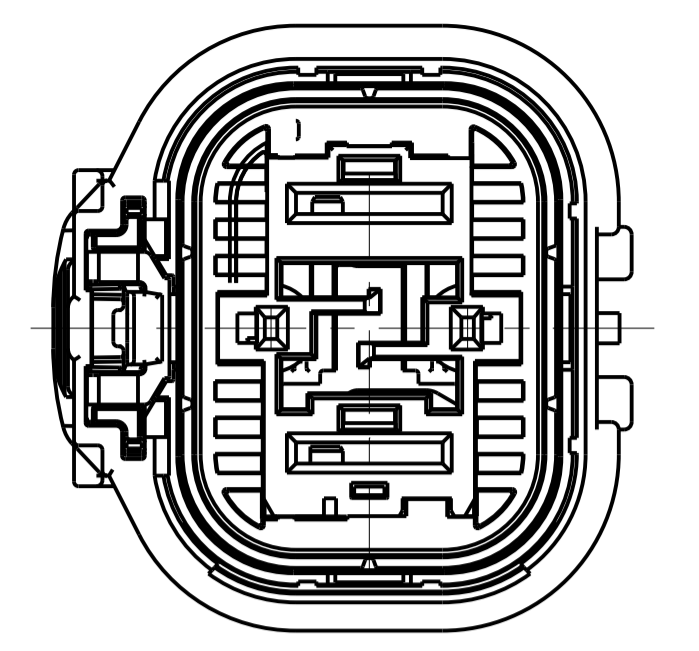
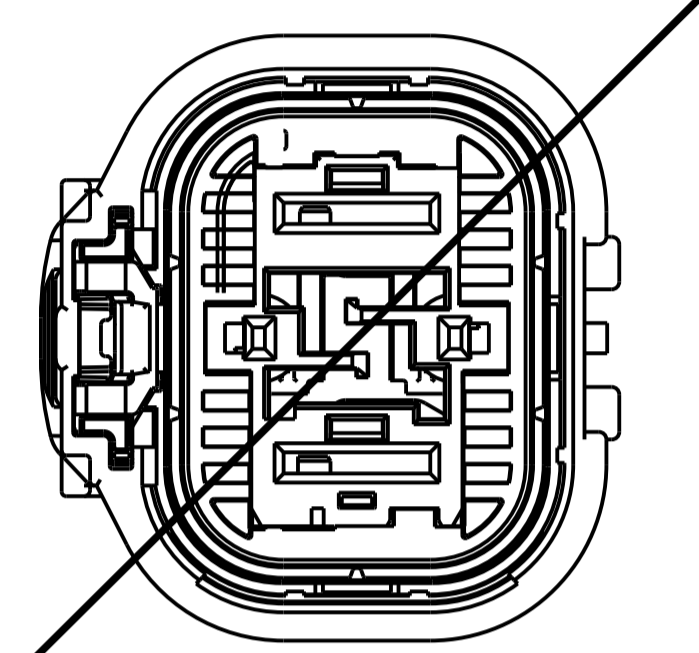


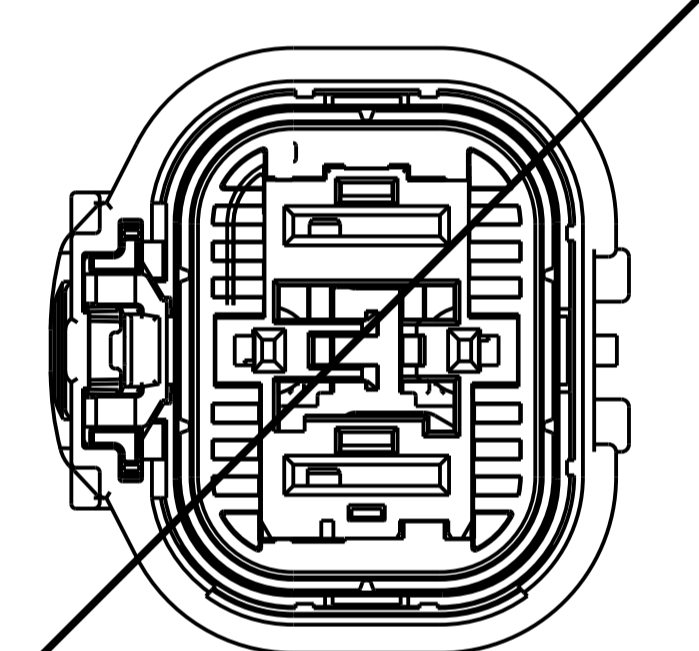
CAVITY VERSIONS



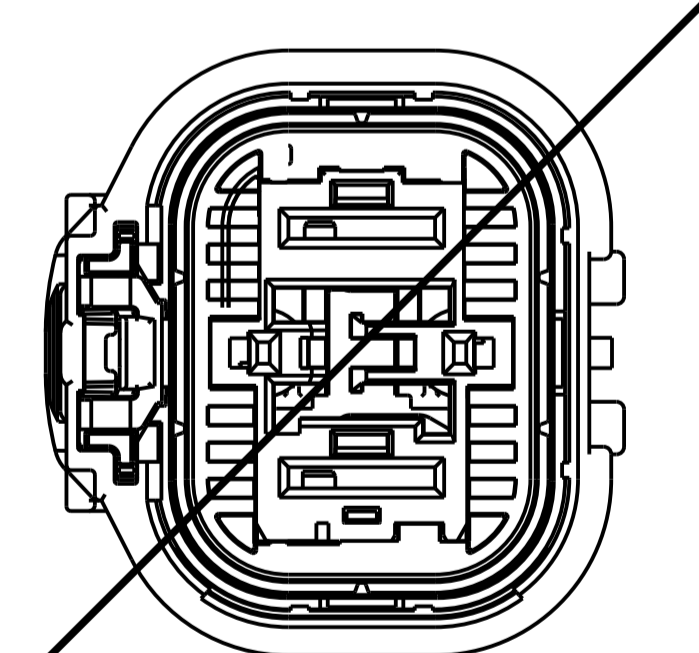
CODING - A



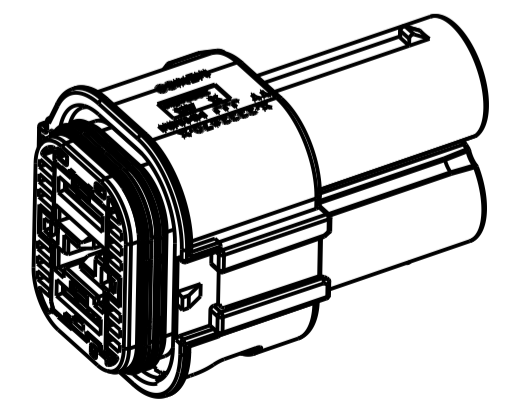
CODING - B



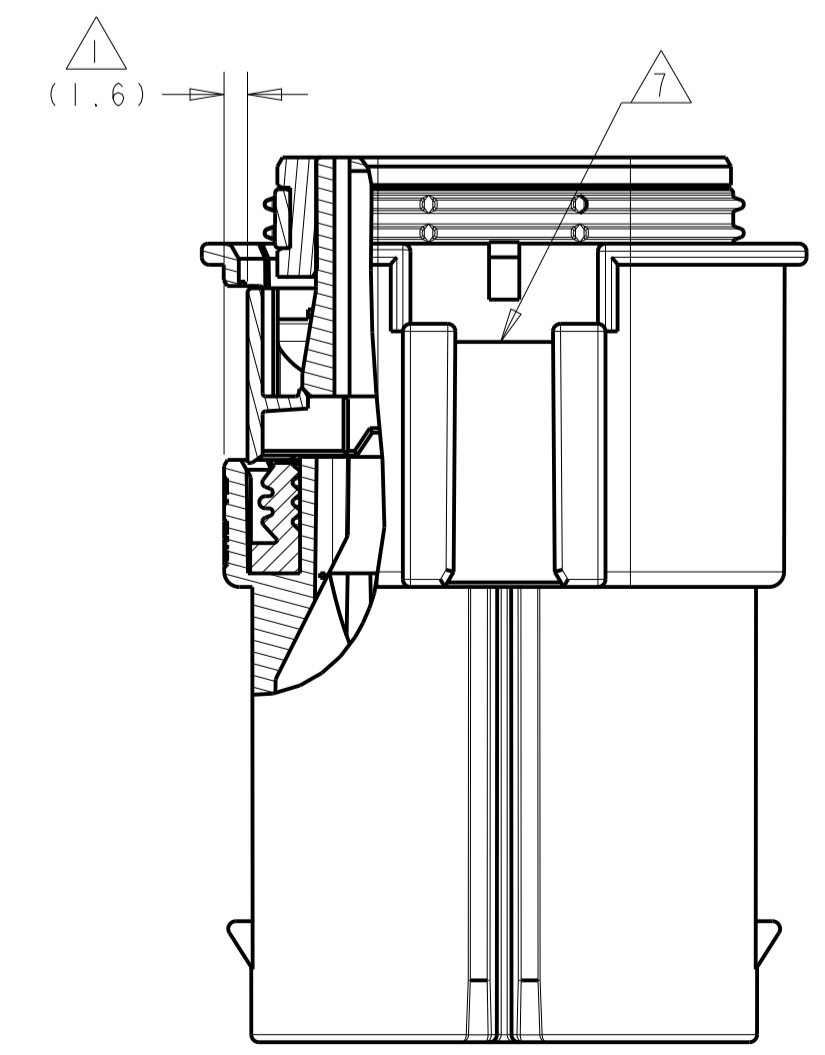
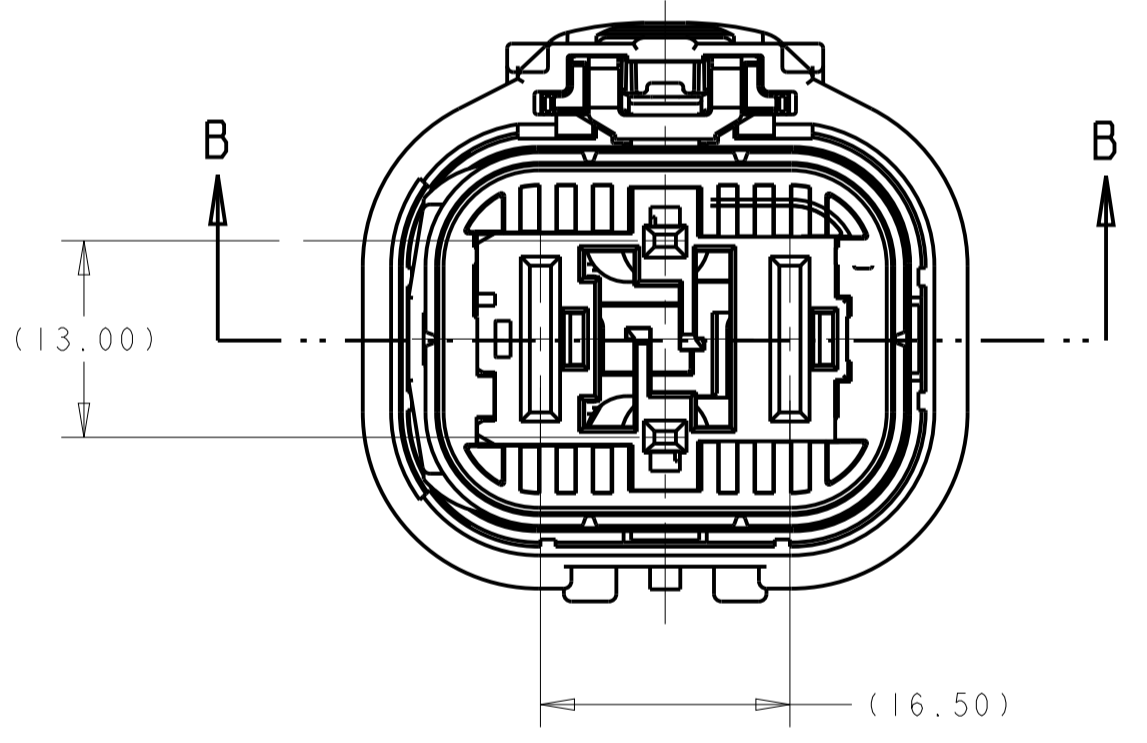
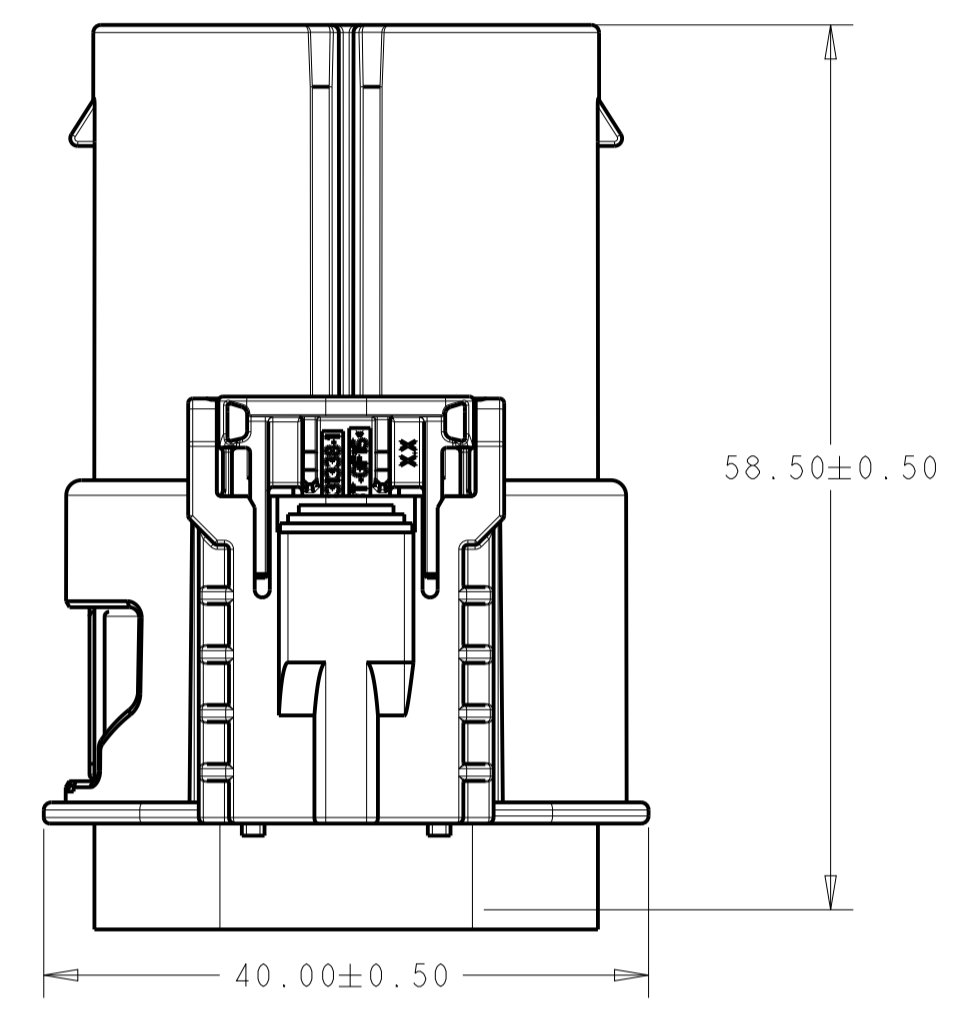
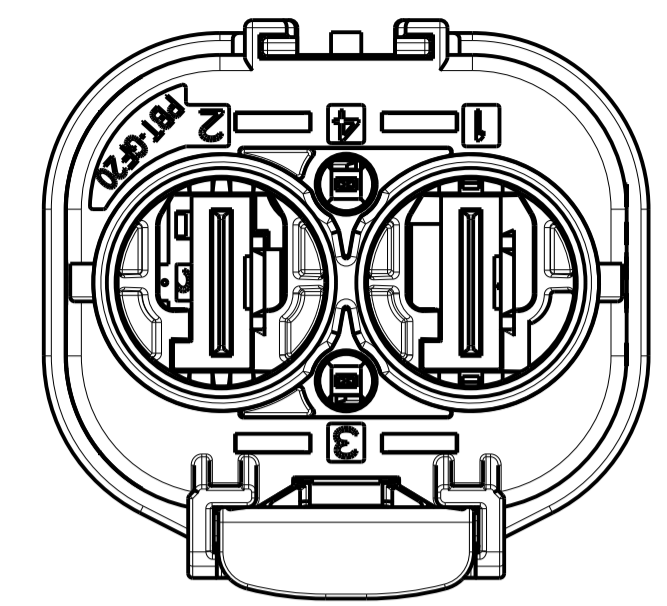
CODING - C



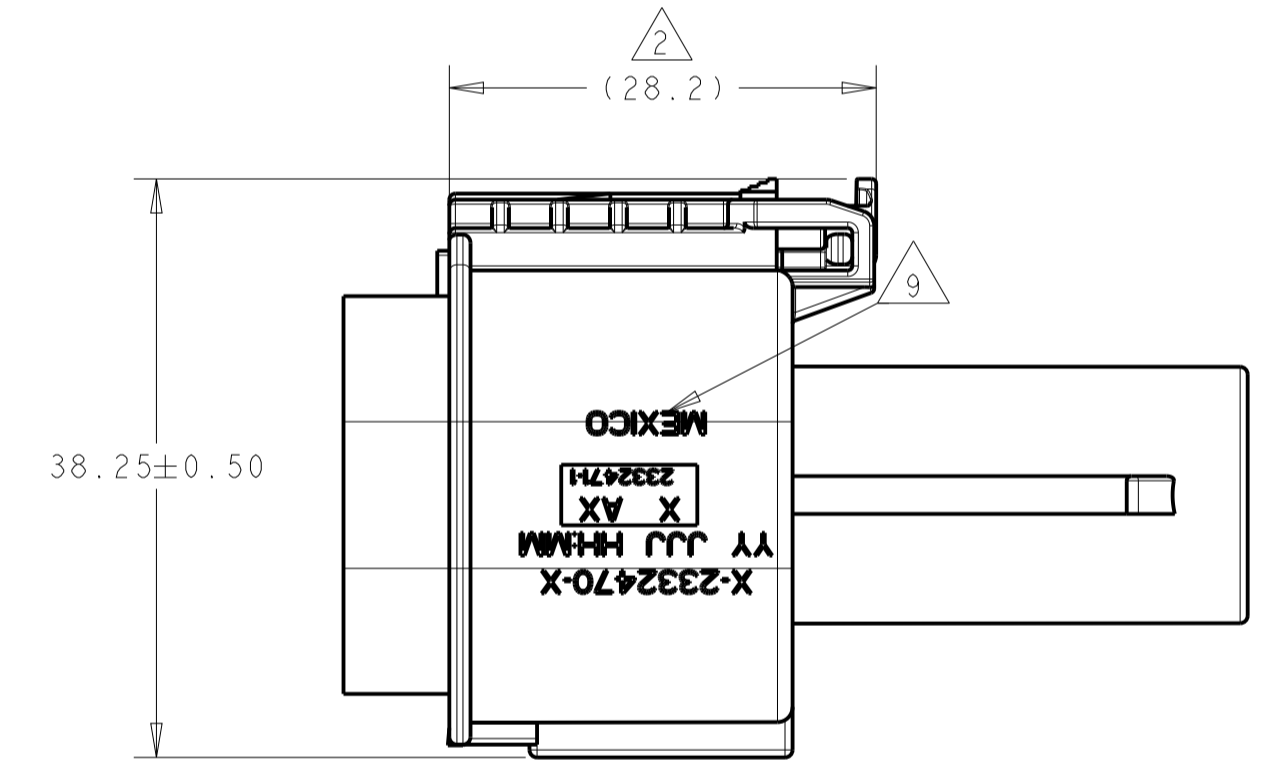
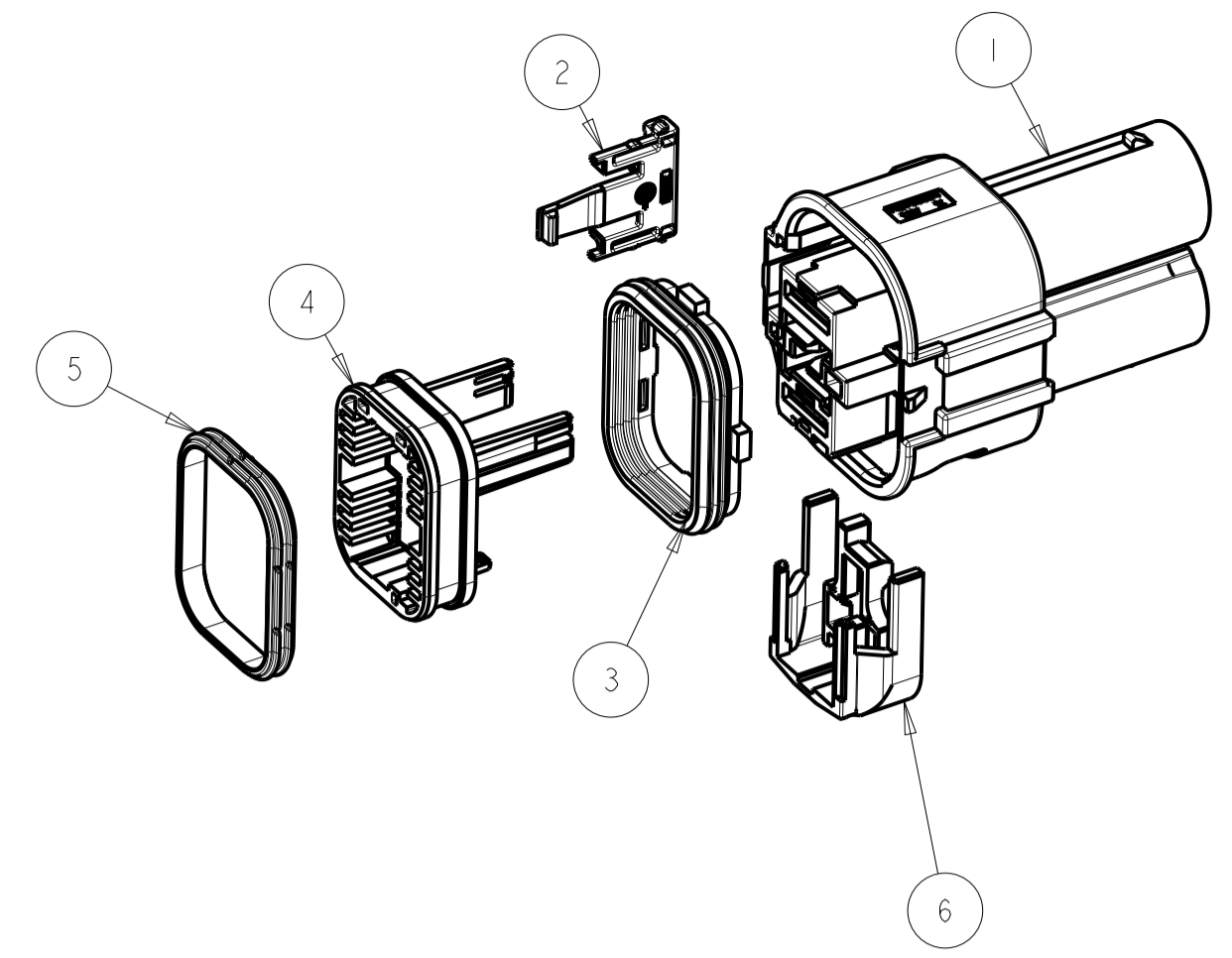
CODING - D



SCALE 1:1



SECTION B-B



PRELIMINARY - NOT RELEASED FOR PRODUCTION

1	1	1	1		
1	-	-	-		
-	1	1	1		
-	1	1	1		
1	-	-	-		
-	1	1	1		
1	-	-	-		
-	1	1	1		
1	-	-	-		
-	1	1	1		
2	3	1	2	VERSIONS	
4 CLOSED	3 & 4 CLOSED	-	4 CLOSED	CAVITY CLOSED	
A	A	A	A	CODING	
A	1	1	A	REV.	
1-2332470-1	0-2332470-3	0-2332470-2	0-2332470-1	TE ASSY NO.	

REVISIONS					
P	LTN	DESCRIPTION	DATE	DMN	APVD
A		ECO-20-010148	22JUL2020	KM	MA
A1		REVISED PER ECO-21-001052	25JAN2021	SN	MA

1 DELIVERED WITH ISL IN PRE- LOCKED POSITION AS SHOWN IN GENERAL VIEWS. IF ISL MOVES TO LOCKED POSITION IN SHIPPING, THE ISL MUST BE MOVED BACK TO PRE-LOCKED POSITION. REFER TO INSTRUCTION SHEET 408-32276, PARA 5.4.1 FOR PROCEDURE

2 DELIVERED WITH CPA IN PRE- LOCKED POSITION AS SHOWN IN GENERAL VIEWS.

3. TERMINALS USED:
POWER:

1-1563845-X	8-10	2287390-5
1-1563844-X	4-6	2287390-4
TE PN TERMINAL	WIRE RANGE(MM2)	TE-PN SINGLE WIRE SEAL
RECOMMENDED TERMINAL SYSTEM: SOCKET CONTACT 9.5		

-X INDICATES PLATING TYPE. SILVER PLATING REQUIRED TO MEET T3 AND/OR LV214 SG3 PERFORMANCE.

SIGNAL:

7-1452671-X	1.0	967067-1
7-1452668-X	0.5-0.75	2287390-4
7-1452665-X	0.35	967067-2
TE PN TERMINAL	WIRE RANGE(MM2)	TE-PN SINGLE WIRE SEAL
RECOMMENDED TERMINAL SYSTEM: SOCKET CONTACT 1.2		

-X INDICATES PLATING TYPE. SILVER PLATING REQUIRED TO MEET T3 AND/OR LV214 SG3 PERFORMANCE.

4. APPLICABLE DRESS COVERS

60 DEGREE	2310399-1 2310400-1
180 DEGREE	9-2301629-1 2PCS/UNIT

5. MATING INTERFACE DETAILS
REFER TO 208-32025.

6. CONNECTOR INSTRUCTION SHEET
REFER TO 408-32276

11MM CLIP SLOT PER EWCAP-005-11.

7 DRESS COVER(S) MANDATORY TO MEET SEALING PERFORMANCE S3. DRESS COVER(S) MANDATORY TO MEET VIBRATION PERFORMANCE ACCORDING TO LV214 SG3.
1X LIFE-SHORE 30 FOR ITEM 3 AND ITEM 5.
1.5X LIFE-SHORE 30 FOR ITEM 3 AND ITEM 5.

8. CONNECTOR PREPARATION REQUIRED TO MEET 75N MATE FORCE. REFER TO INSTRUCTION SHEET 408-32276, PARA 4.1 TO 4.3.2, FOR PROCEDURE.

9 PRODUCT ASSEMBLED IN MEXICO WILL BE SO MARKED.

RED	PBT-GF20	RETAINER	6
NATURAL	SILICONE SHORE 50	ABSORBER	5
BRICK RED	SILICONE SHORE 30		
BLACK	PBT-GF20	REDUCER	4
NATURAL	SILICONE SHORE 50		
BRICK RED	SILICONE SHORE 30	SEAL	3
RED	PBT-GF15	CPA	2
BLACK	PBT-GF20	4POS, REC HSG CODE A, VERSION 3	1
BLACK	PBT-GF20	4POS, REC HSG CODE A, VERSION 2	1
BLACK	PBT-GF20	4POS, REC HSG CODE A, VERSION 1	1
COLOR	MATERIAL	DESCRIPTION	ITEM NO

THIS DRAWING IS A CONTROLLED DOCUMENT.

DMN: S. SHRIKANTH 10MAY2018
 GM: G. BHAT 11MAY2018
 APVD: M. ALLOWAY 11MAY2018

TE Connectivity

NAME: 4POS, MCON 9.5, MCON 1.2, REC HSG ASSY, SLD

SIZE: CAGE CODE: DRAWING NO: A100779C=2332470

SCALE: 5:1 SHEET 1 OF 1 REV A1