

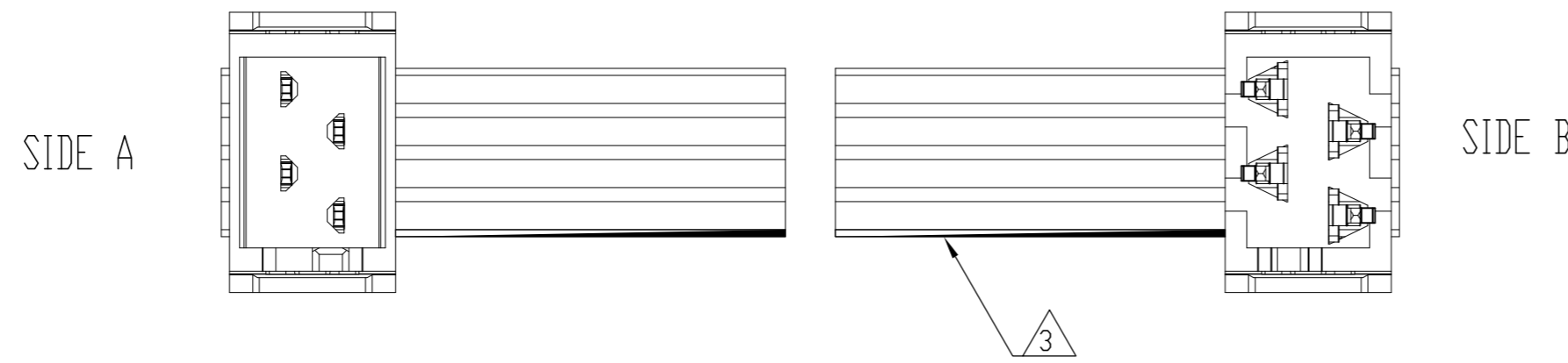
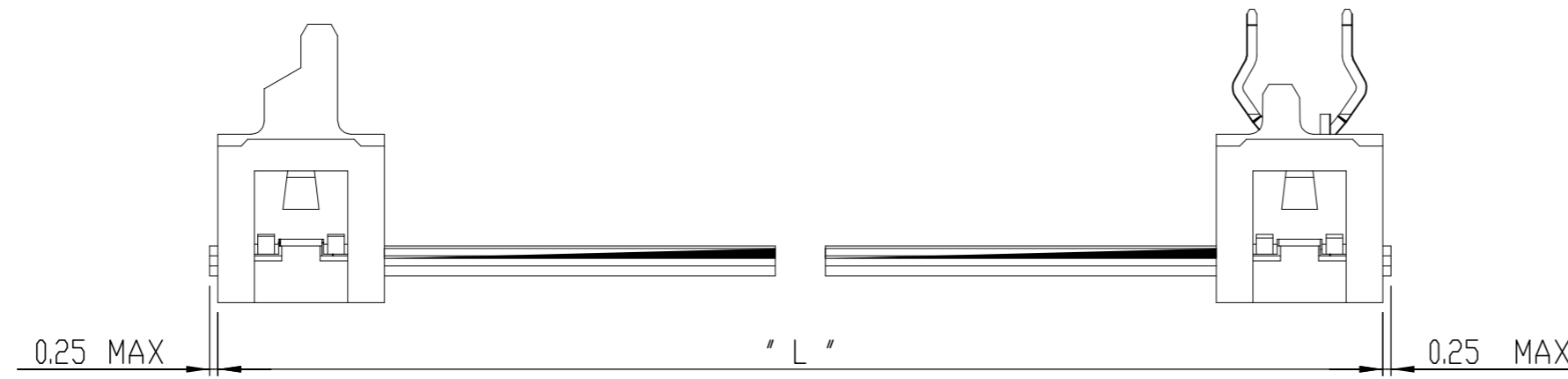
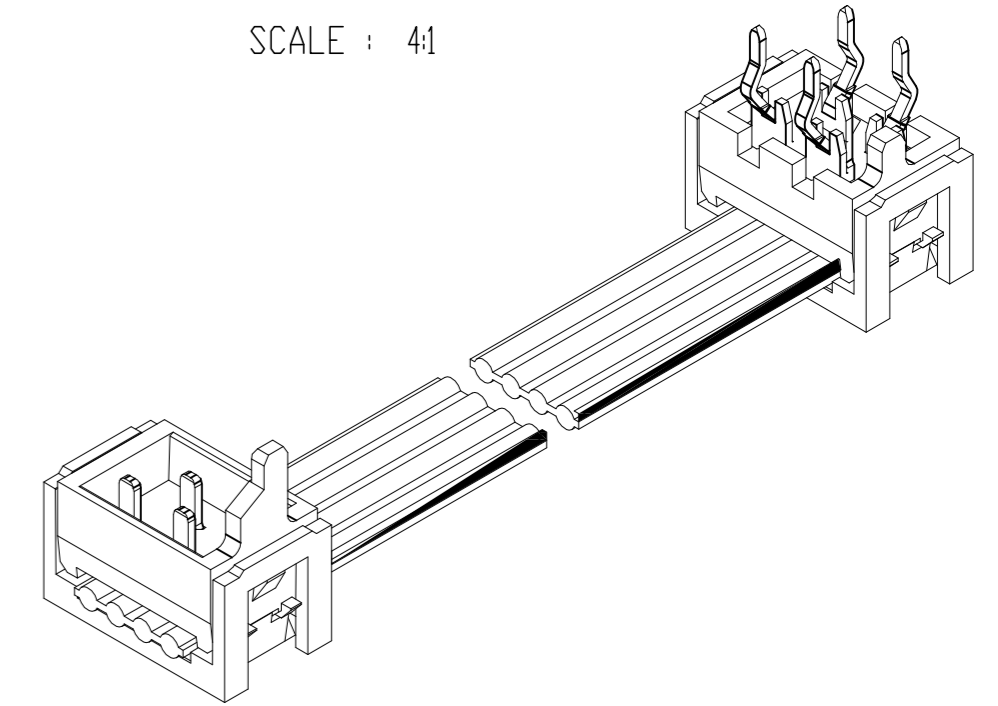
THIS DRAWING IS UNPUBLISHED. RELEASED FOR PUBLICATION 20  
 © COPYRIGHT 20 BY - ALL RIGHTS RESERVED.

NOTES:

- 1 ASSEMBLIES TO BE TESTED FOR 100% CONTINUITY
- 2 ASSEMBLIES ARE PACKAGED ACCORDING PACKAGING SPEC 107-19582
- 3 RED MARKED CORRESPONDS TO PIN 1
- 4 FOR MDW TO MDW SEE 2205060

| REVISIONS |     |                 |           |     |      |
|-----------|-----|-----------------|-----------|-----|------|
| P         | LTR | DESCRIPTION     | DATE      | DWN | APVD |
| A         |     | INITIAL RELEASE | 16DEC2013 | KR  | BvH  |
| B         |     | ECR-15-015452   | 21OCT2015 | TB  | BvH  |
|           |     |                 |           |     |      |
|           |     |                 |           |     |      |

SCALE : 4:1



2205068-X (4 POSITION CABLE ASSEMBLY) AS SHOWN

| TE PN     | POS | LENGTH | DESCRIPTION                 |
|-----------|-----|--------|-----------------------------|
| 2205077-3 | 20  | 200    | CA MICRO-MATCH MDW-PB 20POS |
| 2205077-2 | 20  | 150    | CA MICRO-MATCH MDW-PB 20POS |
| 2205077-1 | 20  | 70     | CA MICRO-MATCH MDW-PB 20POS |
| 2205075-3 | 18  | 200    | CA MICRO-MATCH MDW-PB 18POS |
| 2205075-2 | 18  | 150    | CA MICRO-MATCH MDW-PB 18POS |
| 2205075-1 | 18  | 70     | CA MICRO-MATCH MDW-PB 18POS |
| 2205074-3 | 16  | 200    | CA MICRO-MATCH MDW-PB 16POS |
| 2205074-2 | 16  | 150    | CA MICRO-MATCH MDW-PB 16POS |
| 2205074-1 | 16  | 70     | CA MICRO-MATCH MDW-PB 16POS |
| 2205073-3 | 14  | 200    | CA MICRO-MATCH MDW-PB 14POS |
| 2205073-2 | 14  | 150    | CA MICRO-MATCH MDW-PB 14POS |
| 2205073-1 | 14  | 70     | CA MICRO-MATCH MDW-PB 14POS |
| 2205072-3 | 12  | 200    | CA MICRO-MATCH MDW-PB 12POS |
| 2205072-2 | 12  | 150    | CA MICRO-MATCH MDW-PB 12POS |
| 2205072-1 | 12  | 70     | CA MICRO-MATCH MDW-PB 12POS |
| 2205071-3 | 10  | 200    | CA MICRO-MATCH MDW-PB 10POS |
| 2205071-2 | 10  | 150    | CA MICRO-MATCH MDW-PB 10POS |
| 2205071-1 | 10  | 70     | CA MICRO-MATCH MDW-PB 10POS |
| 2205070-3 | 8   | 200    | CA MICRO-MATCH MDW-PB 8POS  |
| 2205070-2 | 8   | 150    | CA MICRO-MATCH MDW-PB 8POS  |
| 2205070-1 | 8   | 70     | CA MICRO-MATCH MDW-PB 8POS  |
| 2205069-3 | 6   | 200    | CA MICRO-MATCH MDW-PB 6POS  |
| 2205069-2 | 6   | 150    | CA MICRO-MATCH MDW-PB 6POS  |
| 2205069-1 | 6   | 70     | CA MICRO-MATCH MDW-PB 6POS  |
| 2205068-3 | 4   | 200    | CA MICRO-MATCH MDW-PB 4POS  |
| 2205068-2 | 4   | 150    | CA MICRO-MATCH MDW-PB 4POS  |
| 2205068-1 | 4   | 70     | CA MICRO-MATCH MDW-PB 4POS  |

THIS DRAWING IS A CONTROLLED DOCUMENT.

| DIMENSIONS: | TOLERANCES UNLESS OTHERWISE SPECIFIED: |
|-------------|--|
| M/M         | 0 PLC ±                                |
|             | 1 PLC ±                                |
|             | 2 PLC ±                                |
|             | 3 PLC ±                                |
|             | 4 PLC ±                                |
|             | ANGLES ±                               |
|             | FINISH ±                               |

|   |   |
|---|---|
| DWN<br>K. RAGHAVENDRA<br>13DEC2013                        | <br>TE Connectivity<br>NAME<br><b>CABLE ASSY MICRO-MATCH MDW-PB</b><br>-<br>-<br>SIZE<br>A2<br>CAGE CODE<br>-<br>DRAWING NO<br>C-2205068<br>RESTRICTED TO<br>-<br>SCALE<br>5:1<br>SHEET<br>1 OF 1<br>REV<br>B |
| CHK<br>B. VELDHOFEN<br>23DEC2013                          |   |
| APVD<br>G. DOREMALLEN VAN<br>23DEC2013                    |   |
| PRODUCT SPEC<br>-<br>APPLICATION SPEC<br>-<br>WEIGHT<br>- |   |
| Customer Drawing  |   |