

4

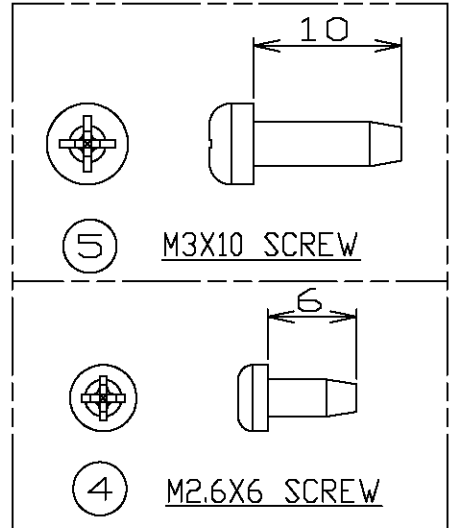
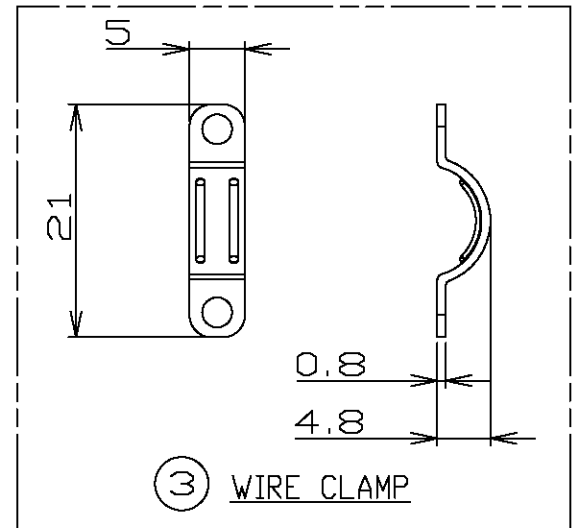
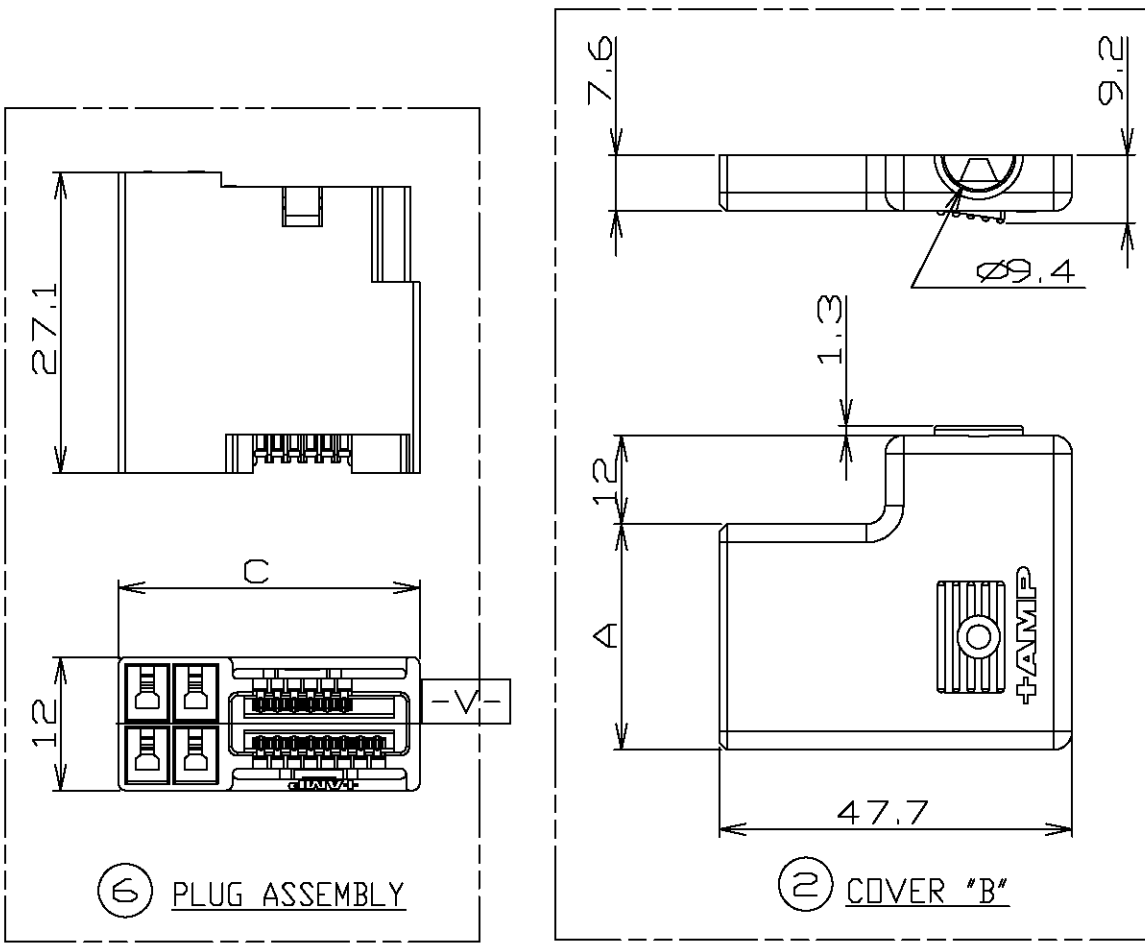
3

2

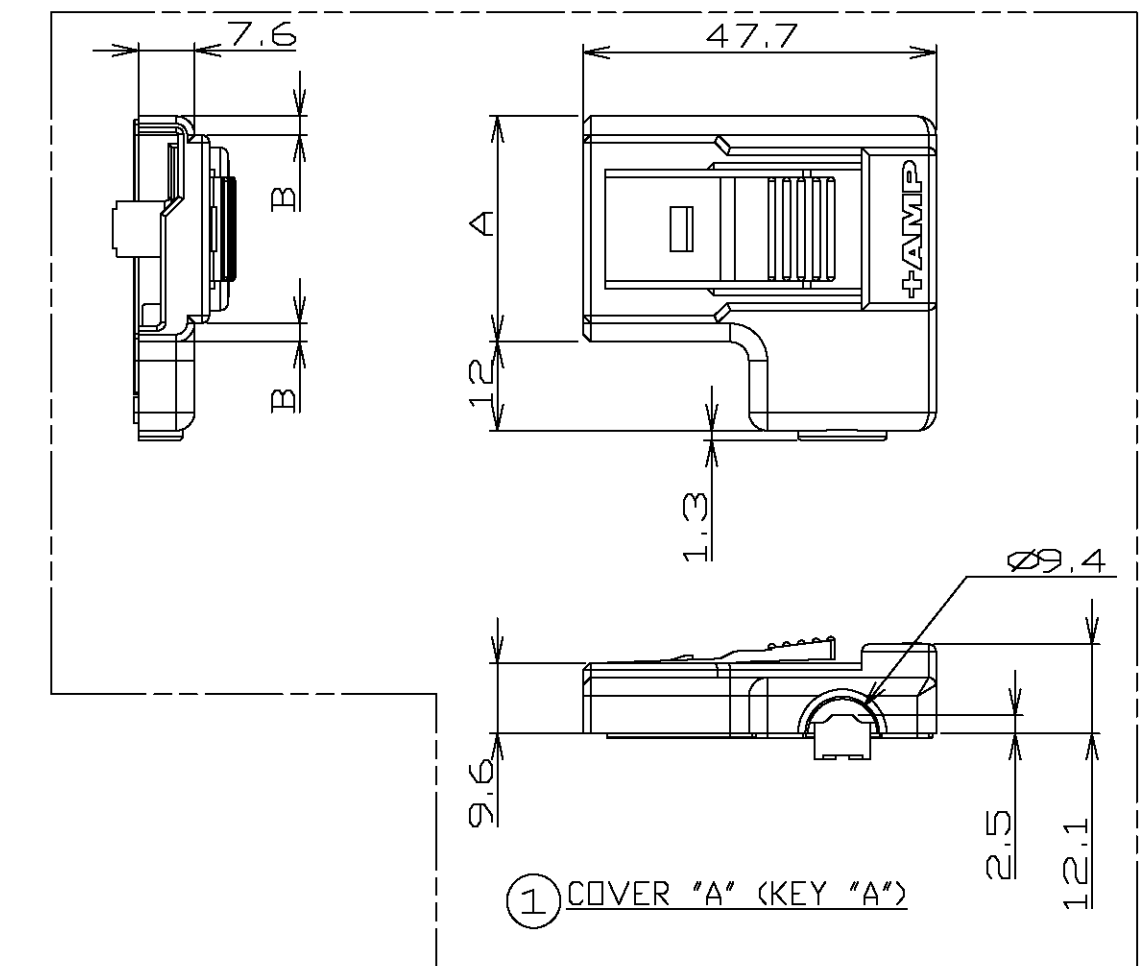
1

THIS DRAWING IS UNPUBLISHED. RELEASED FOR PUBLICATION
 © COPYRIGHT BY TYCO ELECTRONICS CORPORATION. ALL RIGHTS RESERVED.

LOC	DIST	REVISIONS					
ES	00	P	LTR	DESCRIPTION	DATE	DWN	APVD
		A		REVISED FB00-0217-04	16DEC04	H.H	I.E



NOTES: THIS IS LEAD-FREE P/N.

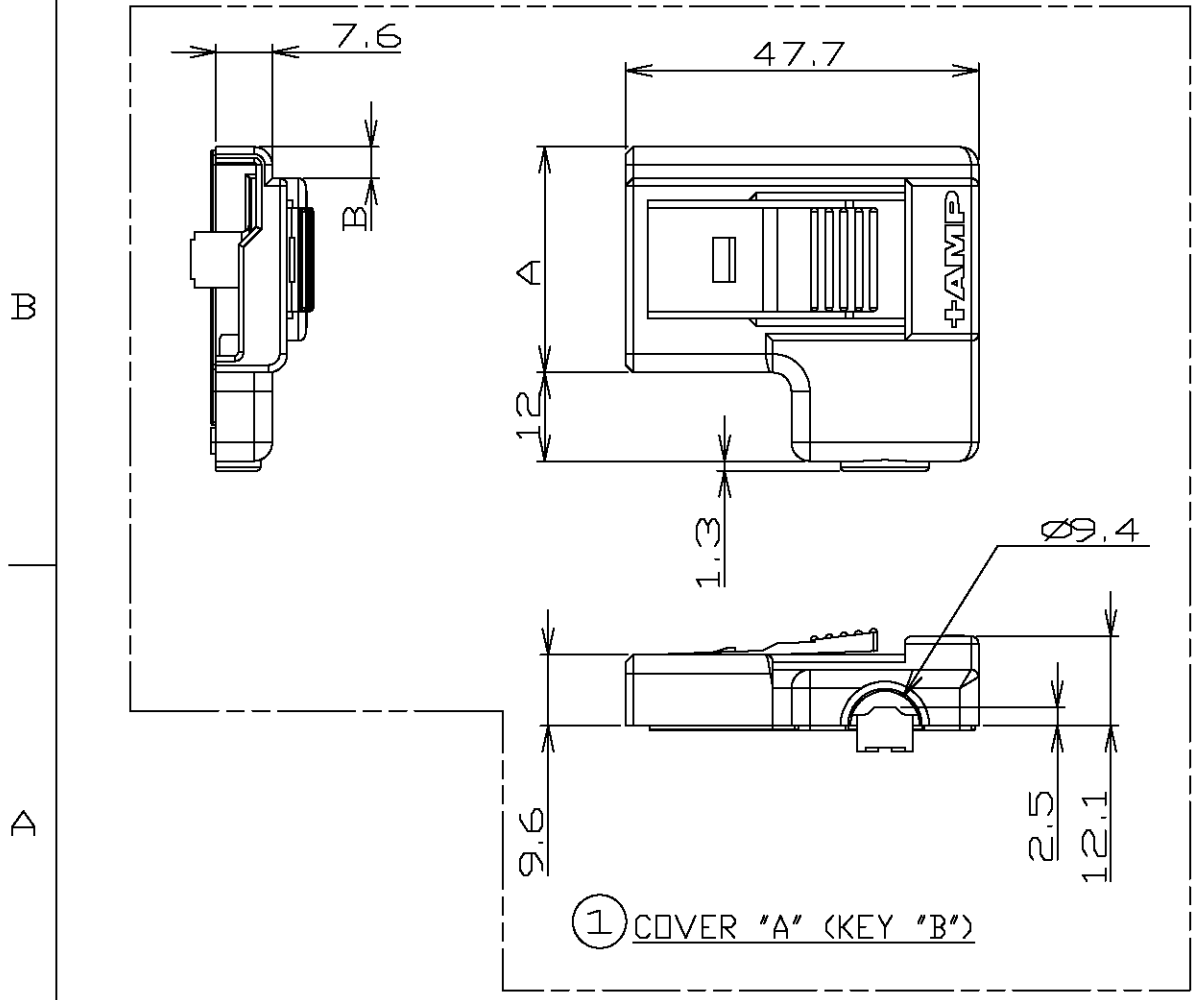
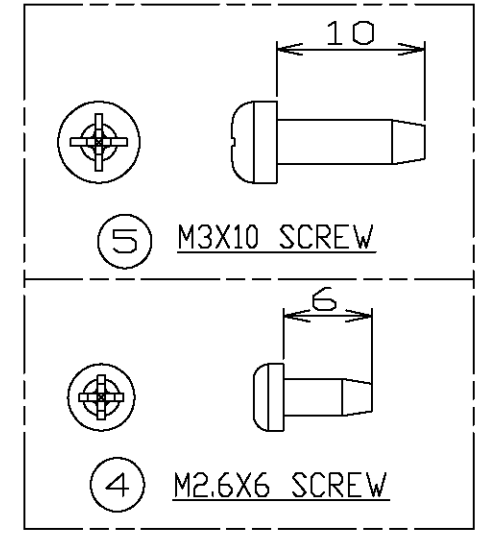
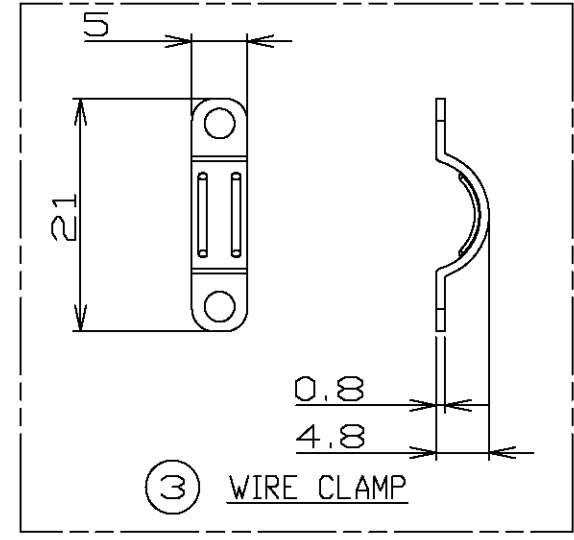
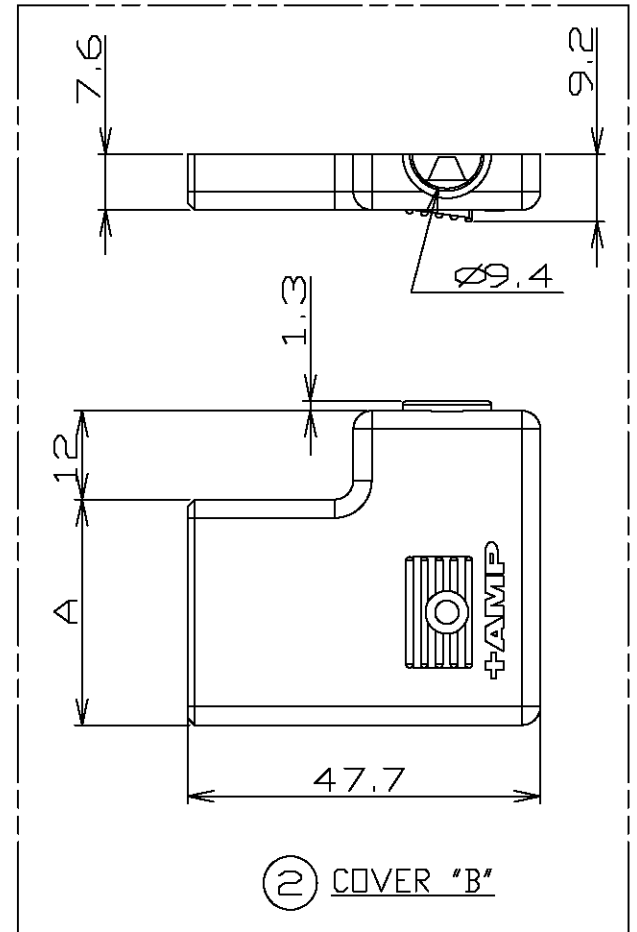
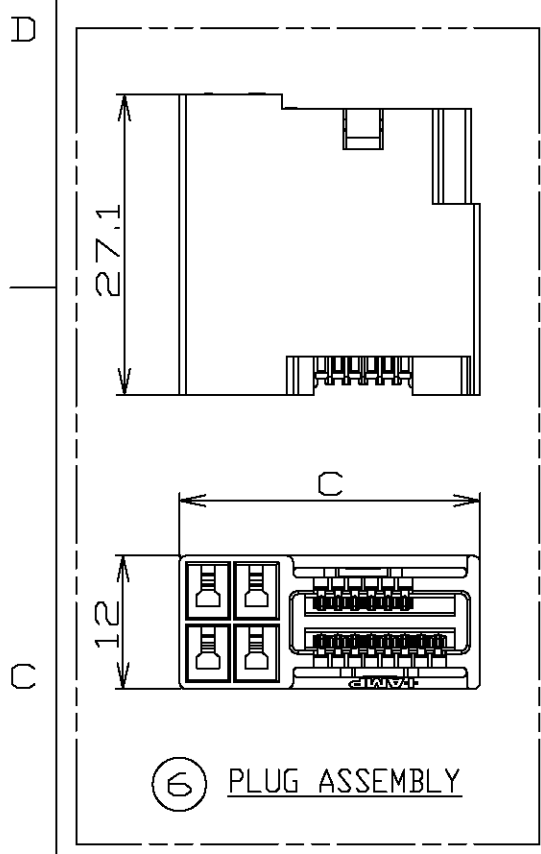


DIMENSIONS			QTY	MATERIAL & FINISH	DESCRIPTION	PART NUMBER	ITEM	KEY TYPE	PART NUMBER
27.1	—	—	1	THERMOPLASTIC, UL94V-0 COLOR: GRAY	PLUG ASSEMBLY, 14P	1-292245-4	⑥	A	1-292248-4
—	—	—	1	STEEL, ZINC PLATED	TAPTITE SCREW, P-TITE M3X10	292264-1	⑤		
—	—	—	2	STEEL, ZINC PLATED	TAPTITE SCREW, P-TITE M2.6X6	292263-1	④		
—	—	—	1	STEEL, ZINC PLATED	WIRE CLAMP	292265-1	③		
—	—	30.5	1	THERMOPLASTIC, UL94-HB, COLOR: GRAY	COVER "B", 14P	1-1123914-4	②		
—	2.55	30.5	1	THERMOPLASTIC, UL94-HB COLOR: GRAY	COVER "A", 14P, KEY "A"	1-1123913-4	①		

<small>THIS DRAWING IS A CONTROLLED DOCUMENT FOR TYCO ELECTRONICS CORPORATION IT IS SUBJECT TO CHANGE AND THE CONTROLLING ENGINEERING ORGANIZATION SHOULD BE CONTACTED FOR THE LATEST REVISION.</small>		DWN J. JIANG 05FEB03 CHK S. YAO 05FEB03 APVD T. SASAKI 05FEB03	tyco Electronics Tyco Electronics Corporation Shanghai, P.R.China, 200233	
DIMENSIONS: mm	TOLERANCES UNLESS OTHERWISE SPECIFIED: 0 PLC ± 1 PLC ± 2 PLC ± 3 PLC ± 4 PLC ± ANGLES ±	PRODUCT SPEC 108-60028 APPLICATION SPEC 114-5256	NAME CABLE CLAMP KIT FOR AMP 1.5mm PITCH MINI CT HYBRID LATTICE CONNECTOR	
MATERIAL	FINISH	WEIGHT	SIZE	RESTRICTED TO
SEE TABLE	SEE TABLE	CUSTOMER DRAWING	A3 00779 C-292248	—
SCALE NON			SHEET 1 OF 3	REV A

THIS DRAWING IS UNPUBLISHED. RELEASED FOR PUBLICATION
 © COPYRIGHT BY TYCO ELECTRONICS CORPORATION. ALL RIGHTS RESERVED.

LOC	DIST	REVISIONS		
ES	00	P	LTR	DESCRIPTION
				DATE
				DWN
				APVD
		SEE SHEET 1		



DIMENSIONS			QTY	MATERIAL & FINISH	DESCRIPTION	PART NUMBER	ITEM	KEY TYPE	PART NUMBER
27.1	—	—	1	THERMOPLASTIC, UL94V-0 COLOR: GRAY	PLUG ASSEMBLY, 14P	1-292245-4	⑥		
—	—	—	1	STEEL, ZINC PLATED	TAPTITE SCREW, P-TITE M3X10	292264-1	⑤		
—	—	—	2	STEEL, ZINC PLATED	TAPTITE SCREW, P-TITE M2.6X6	292263-1	④	B	3-292248-4
—	—	—	1	STEEL, ZINC PLATED	WIRE CLAMP	292265-1	③		
—	—	30.5	1	THERMOPLASTIC, UL94-HB, COLOR: GRAY	COVER "B", 14P	1-1123914-4	②		
—	4.25	30.5	1	THERMOPLASTIC, UL94-HB COLOR: GRAY	COVER "A", 14P, KEY "B"	3-1123913-4	①		

DIMENSIONS: mm 		TOLERANCES UNLESS OTHERWISE SPECIFIED: 0 PLC ± 1 PLC ± 2 PLC ± 3 PLC ± 4 PLC ± ANGLES ±		DWN CHK APVD PRODUCT SPEC APPLICATION SPEC WEIGHT CUSTOMER DRAWING		tyco Electronics Tyco Electronics Corporation Shanghai, P.R.China, 200233		NAME CABLE CLAMP KIT FOR AMP 1.5mm PITCH MINI CT HYBRID LATTICE CONNECTOR		SIZE A3		CAGE CODE 00779		DRAWING NO C-292248		RESTRICTED TO			
SEE TABLE		SEE TABLE		SCALE		NON		SHEET		2		OF		3		REV		A	

4

3

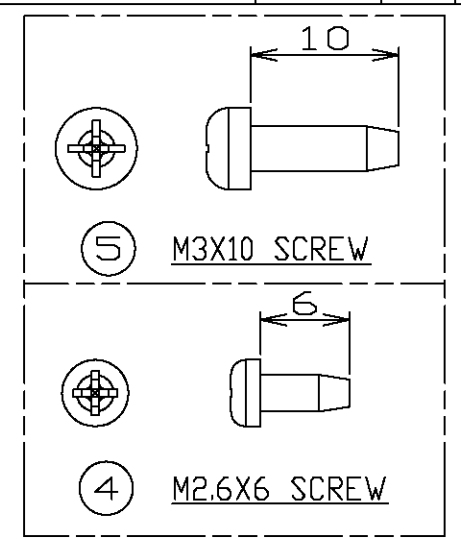
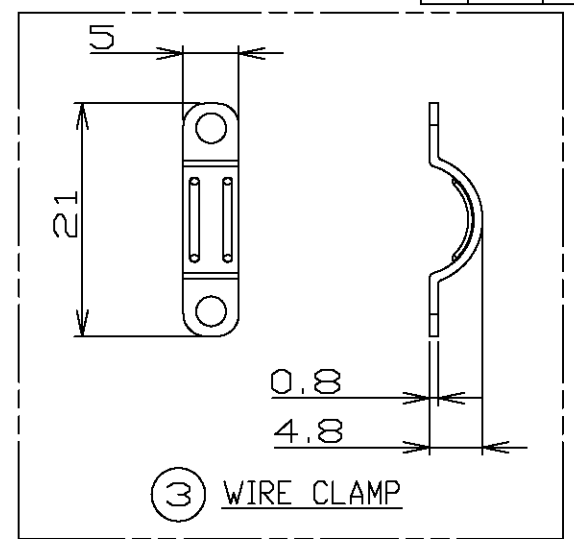
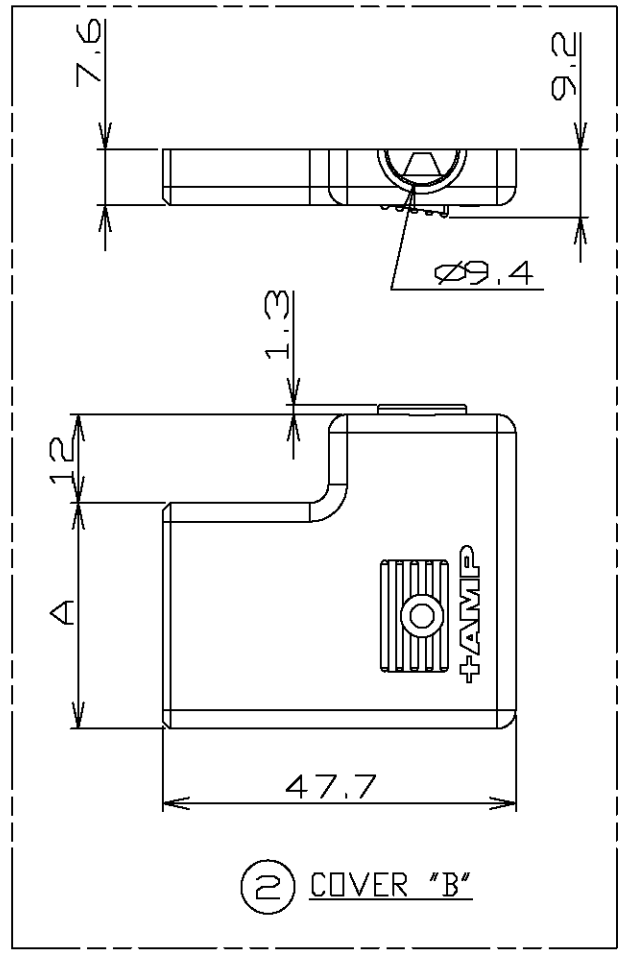
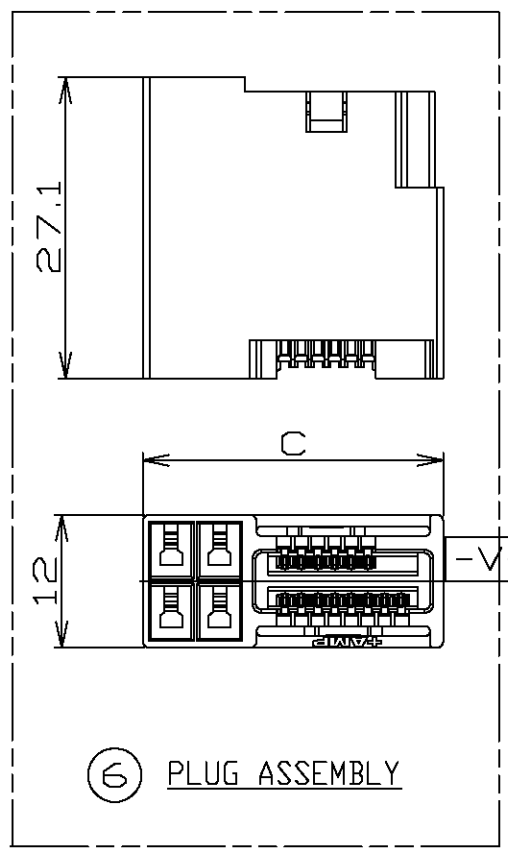
2

1

THIS DRAWING IS UNPUBLISHED. RELEASED FOR PUBLICATION
© COPYRIGHT BY TYCO ELECTRONICS CORPORATION. ALL RIGHTS RESERVED.

LOC	DIST	REVISIONS					
ES	00	P	LTR	DESCRIPTION	DATE	DWN	APVD
		-	-	SEE SHEET 1	-	-	-

D



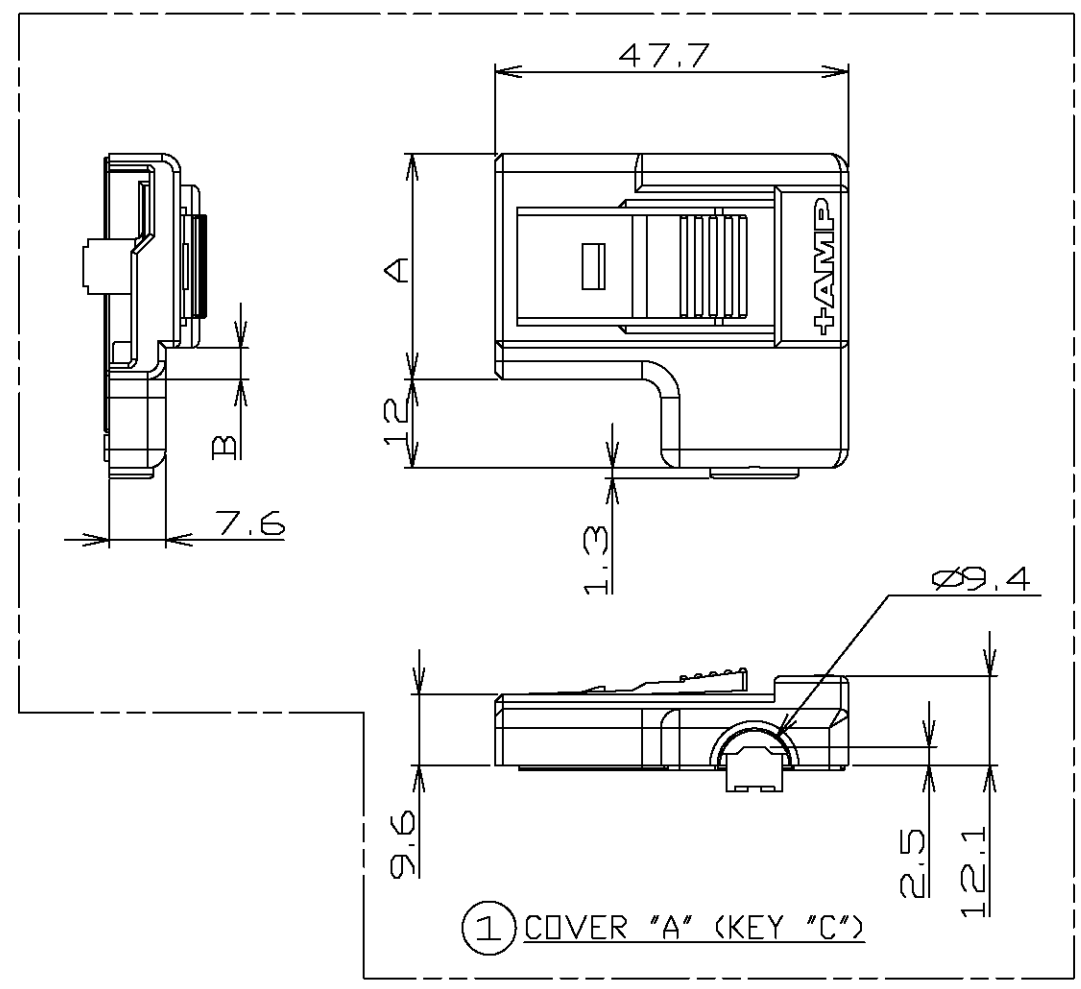
D

C

C

B

B



DIMENSIONS			QTY	MATERIAL & FINISH	DESCRIPTION	PART NUMBER	ITEM	KEY TYPE	PART NUMBER
27.1	—	—	1	THERMOPLASTIC, UL94V-0 COLOR: GRAY	PLUG ASSEMBLY, 14P	1-292245-4	⑥	C	5-292248-4
—	—	—	1	STEEL, ZINC PLATED	TAPTITE SCREW, P-TITE M3X10	292264-1	⑤		
—	—	—	2	STEEL, ZINC PLATED	TAPTITE SCREW, P-TITE M2.6X6	292263-1	④		
—	—	—	1	STEEL, ZINC PLATED	WIRE CLAMP	292265-1	③		
—	—	30.5	1	THERMOPLASTIC, UL94-HB, COLOR: GRAY	COVER "B", 14P	1-1123914-4	②		
—	4.25	30.5	1	THERMOPLASTIC, UL94-HB COLOR: GRAY	COVER "A", 14P, KEY "C"	5-1123913-4	①		

THIS DRAWING IS A CONTROLLED DOCUMENT FOR TYCO ELECTRONICS CORPORATION
IT IS SUBJECT TO CHANGE AND THE CONTROLLING ENGINEERING ORGANIZATION
SHOULD BE CONTACTED FOR THE LATEST REVISION.

DIMENSIONS: mm	TOLERANCES UNLESS OTHERWISE SPECIFIED: 0 PLC ± 1 PLC ± 2 PLC ± 3 PLC ± 4 PLC ± ANGLES ±	DWN CHK APVD PRODUCT SPEC APPLICATION SPEC WEIGHT	Tyco Electronics Corporation Shanghai, P.R.China, 200233 NAME CABLE CLAMP KIT FOR AMP 1.5mm PITCH MINI CT HYBRID LATTICE CONNECTOR SIZE CAGE CODE DRAWING NO A3 00779 C-292248 RESTRICTED TO
MATERIAL SEE TABLE	FINISH SEE TABLE	CUSTOMER DRAWING	SCALE: NON SHEET 3 OF 3 REV A