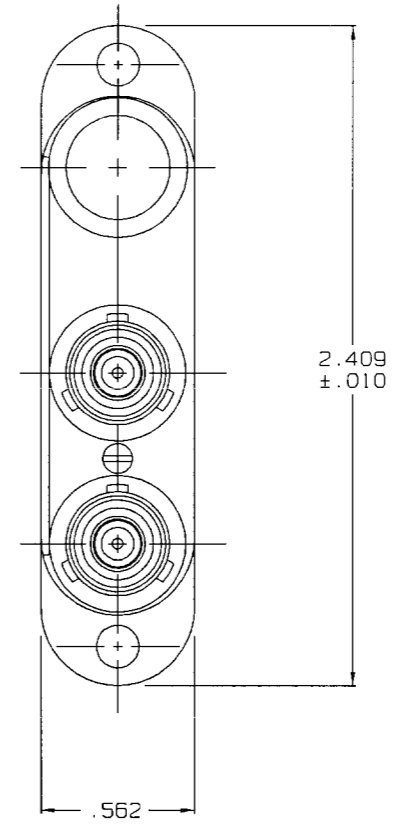
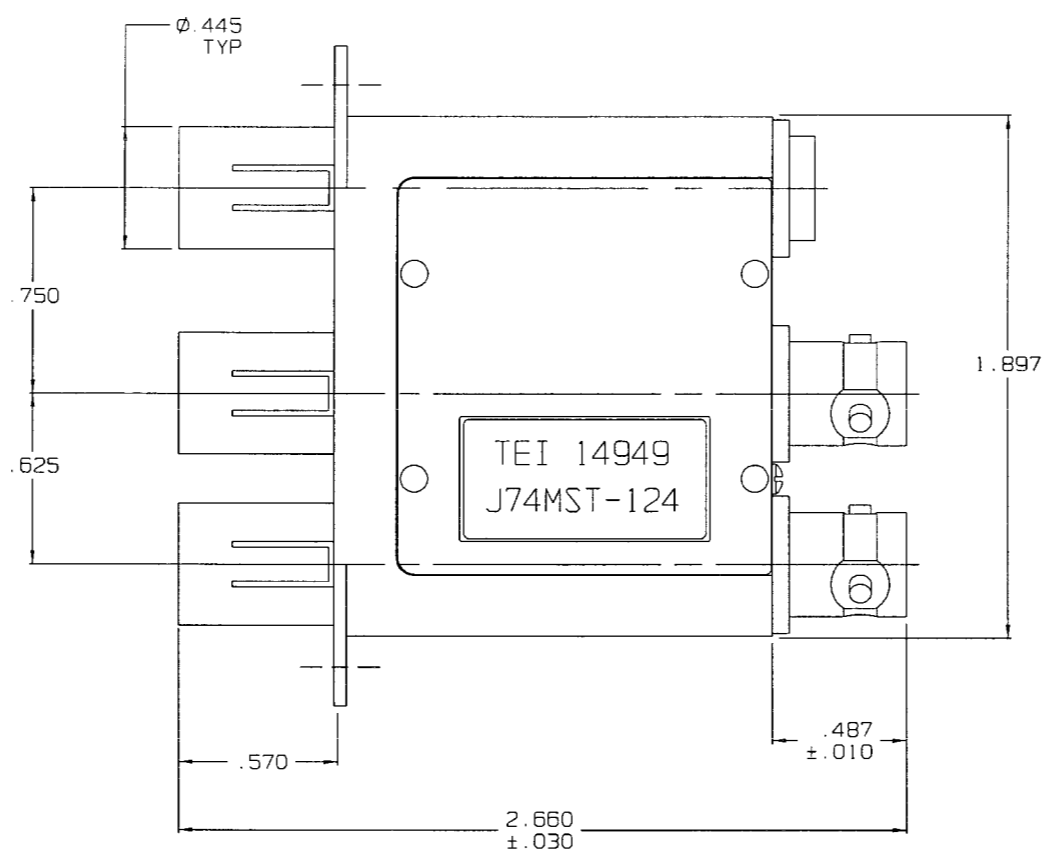
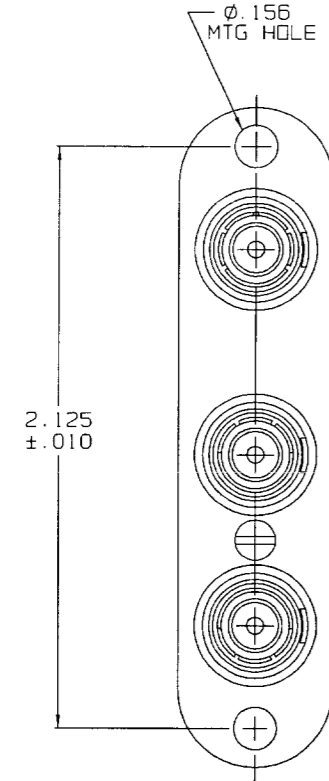


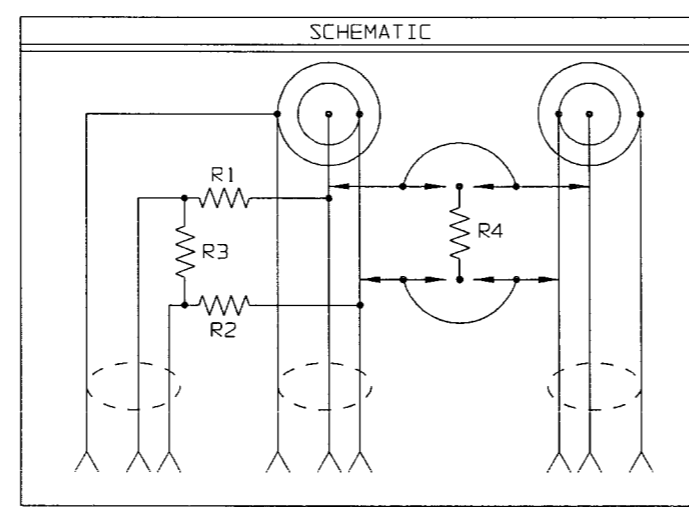
DATA CONTAINED IN THIS DOCUMENT IS PROPRIETARY TO TROMPETER ELECTRONICS INC. AND SHALL NOT BE DISCLOSED, COPIED OR USED FOR PROCUREMENT OR MANUFACTURE WITHOUT EXPRESS WRITTEN PERMISSION OF TROMPETER ELECTRONICS INC.

REVISIONS		305-0805	SH 1
REV	DESCRIPTION	DATE	APPROVED
G	REVISED PER ECD 15035	4-24-03	WM



J74MST-124 SHOWN

**RED INDICATES ORIGINAL**



3. EXAMPLE OF COMPLETE MODEL NO:  
**J74MST-124**  
 BASIC NO. ———— TERM. RESISTANCE IN OHMS (1/2W, 1%)  
 ———— SELF TERMINATING  
 ———— MONITOR SEPARATE
2. DUAL TWINAX/TRIAX SELF NORMALLING, SELF TERMINATING PATCH JACK WITH SEPARATE 20 dB ISOLATED MONITOR JACK AND TRB INPUT RECEPTACLES
1. FINISH: TFS-1A (NICKEL)

INTERPRET DRAWING PER MIL-STD-100 DIMENSIONS ARE IN INCHES AND INCLUDE FINISH THICKNESS UNLESS OTHERWISE SPECIFIED		TOL: UNLESS SPECIFIED .XX .XXX ± .005 .XXXX		
DATE	4-22-03	ANGLES		
DRAWN	AAH	MATERIAL:		TITLE:
CHECKED	4-22-03	FINISH:		J74MST-R
QUAL	4/24/03			SIZE
MAN	4/23/03			CAGE CODE
APPROVED	4/23/03			DRAWING NO.
CAD FILE NO.	305-0805G	DO NOT SCALE DWG		REV.
NEXT ASSY				G
		SCALE	NONE	DATE
				4-1-92
				SHEET
				1C