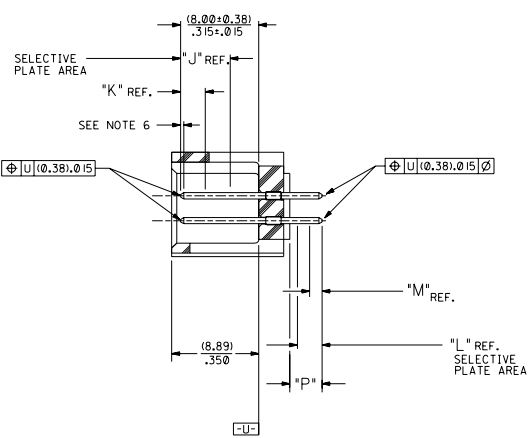


RECOMMENDED P.C. BOARD HOLE LAYOUT



SECTION J-J

NOTES:

- 1- 20 CIRCUIT SIZE SHOWN FOR ILLUSTRATION PURPOSES.
- 2- PIN PUSHOUT FORCE: (17.79 N) 4 LBS.
- 3- PINS MUST MEET SOLDERABILITY SPEC. MIL-STD-202 METHOD 208B.
- 4- WINDOW NOT AVAILABLE ON 6 AND 8 CIRCUIT SIZE.
- 5- FOR CHARTED DIMENSIONS AND ASSEMBLY NO.S NOT SHOWN ON THIS SHEET - SEE SHEET 2.
- 6- ROW TO ROW PIN HEIGHT VARIATION MUST NOT EXCEED (0.13) / .005 IN.
- 7- PRODUCT CONFORMS TO PS-8723.

CKT.	DIM. 'A'		DIM. 'B'		DIM. 'C'		DIM. 'D'		DIM. 'E'	
	INCH	MILL	INCH	MILL	INCH	MILL	INCH	MILL	INCH	MILL
06	(1.68) .066	(8.43) .332	(5.08) .200	(1.68) .066						
08	(1.68) .066	(10.97) .432	(7.62) .300	(1.68) .066						
10	(1.68) .066	(13.51) .532	(10.16) .400	(4.22) .166						
12	(1.68) .066	(16.05) .632	(12.70) .500	(4.22) .166						
14	(1.68) .066	(18.59) .732	(15.24) .600	(6.76) .266						
16	(1.68) .066	(21.13) .832	(17.78) .700	(6.76) .266						
18	(1.68) .066	(23.67) .932	(20.32) .800	(9.30) .366						
20	(1.68) .066	(26.21) 1.032	(22.86) .900	(1.68) .066	(19.46) .766					
22	(1.68) .066	(28.75) 1.132	(25.40) 1.000	(1.68) .066	(22.00) .866					
24	(1.68) .066	(31.29) 1.232	(27.94) 1.100	(1.68) .066	(24.54) .966					
26	(1.68) .066	(33.83) 1.332	(30.48) 1.200	(1.68) .066	(27.08) 1.066					
28	(1.68) .066	(36.37) 1.432	(33.02) 1.300	(1.68) .066	(29.62) 1.166					
30	(1.68) .066	(38.91) 1.532	(35.56) 1.400	(1.68) .066	(32.16) 1.266					
32	(1.68) .066	(41.45) 1.632	(38.10) 1.500	(1.68) .066	(34.70) 1.366					
34	(1.68) .066	(43.99) 1.732	(40.64) 1.600	(1.68) .066	(37.24) 1.466					
36	(1.68) .066	(46.53) 1.832	(43.18) 1.700	(1.68) .066	(39.78) 1.566					
38	(1.68) .066	(49.07) 1.932	(45.72) 1.800	(1.68) .066	(42.32) 1.666					
40	(1.68) .066	(51.61) 2.032	(48.26) 1.900	(1.68) .066	(44.86) 1.766					
42	(1.68) .066	(54.15) 2.132	(50.80) 2.000	(1.68) .066	(47.40) 1.866					
44	(1.68) .066	(56.69) 2.232	(53.34) 2.100	(1.68) .066	(49.94) 1.966					
46	(1.68) .066	(59.23) 2.332	(55.88) 2.200	(1.68) .066	(52.48) 2.066					
48	(1.68) .066	(61.77) 2.432	(58.42) 2.300	(1.68) .066	(55.02) 2.166					
50	(1.68) .066	(64.31) 2.532	(60.96) 2.400	(1.68) .066	(57.56) 2.266					
52	(1.68) .066	(66.85) 2.632	(63.50) 2.500	(1.68) .066	(60.10) 2.366					
54	(1.68) .066	(69.39) 2.732	(66.04) 2.600	(1.68) .066	(62.64) 2.466					
56	(1.68) .066	(71.93) 2.832	(68.58) 2.700	(1.68) .066	(65.18) 2.566					
58	(1.68) .066	(74.47) 2.932	(71.12) 2.800	(1.68) .066	(67.72) 2.666					
60	(1.68) .066	(77.01) 3.032	(73.66) 2.900	(1.68) .066	(70.26) 2.766					
62	(1.68) .066	(79.55) 3.132	(76.20) 3.000	(1.68) .066	(72.80) 2.866					
64	(1.68) .066	(82.09) 3.232	(78.74) 3.100	(1.68) .066	(75.34) 2.966					
66	(1.68) .066	(84.63) 3.332	(81.28) 3.200	(1.68) .066	(77.88) 3.066					
68	(1.68) .066	(87.17) 3.432	(83.82) 3.300	(1.68) .066	(80.42) 3.166					
70	(1.68) .066	(89.71) 3.532	(86.36) 3.400	(1.68) .066	(82.96) 3.266					
72	(1.68) .066	(92.25) 3.632	(88.90) 3.500	(1.68) .066	(85.50) 3.366					

MATERIAL:

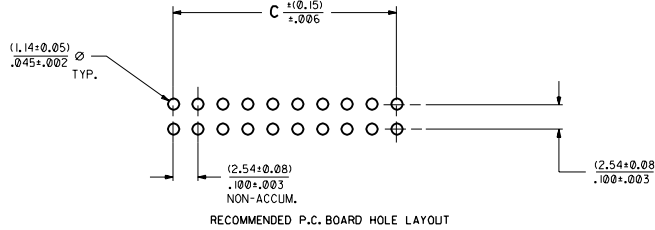
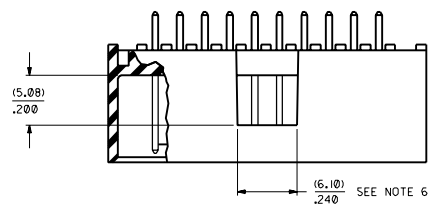
SHROUDED WAFER: GLASS FILLED POLYESTER, 94V-0; COLOR: BLACK.
PINS: PHOSPHOR BRONZE,
SEE SHEET 2 FOR FINISHES.

ASSEMBLY STYLE "A" AND "B"

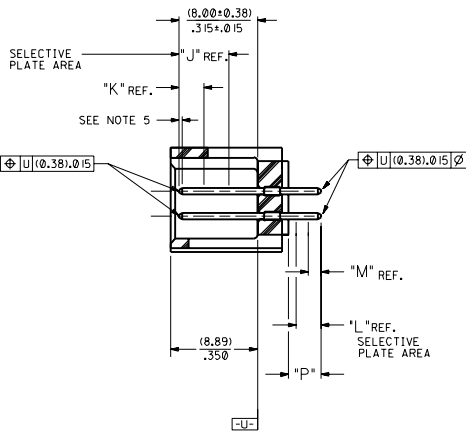
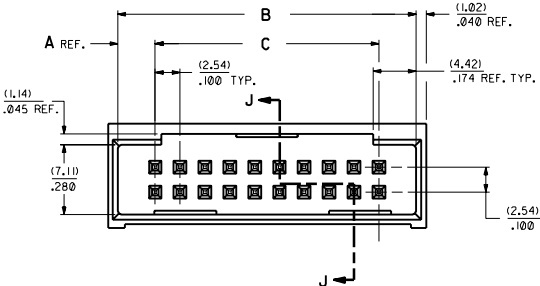
DIMS. SHOWN METRIC INCH		REVISE ONLY ON CAD SYSTEM	
TITLE SALES ASSEMBLY		DATE 12/92/07/17	
WAFER - STRAIGHT MT. FULLY SHROUDED		DRAWN DA	
.1000 GRID - FOR USE W/ .0025 SQ. PINS		CHECKED LTR	
WITH .066 END WALLS		REVISIONS	
MOLEX INCORPORATED		SEE CHART SDA-8723-*****	
PART NO. 8723A1		SCALE 4:1	

- U ADD -3803 OPT
DCP2004-2268
DMORGAN 04/05/20
- T LEAD FREE
USP2004-1770
R WHITE 04/04/26
- S ADD -3802 OPTION
ECN #022004-052
DMORGAN 04/01/2
- R2 TAB DIF DIM 6 CIR
ECN #010999-0145
DMORGAN 56/09/01
- R1 ADD WDG LATCH NOTE
ECN #010998-0399
DMORGAN 56/06/23
- R ADDED SHEET 7
- O REMOVE FDP NO.S
PER ECR NO US0205
05-04-93
- P CHGD WINDOW NOTES
PER ECR NO US0316
05-04-93
- O CHANGED MATERIAL
PER ECR NO US0146
01-22-93
- R2 REVISED A REDRAWN
PER ECR NO US0173
05-29-92

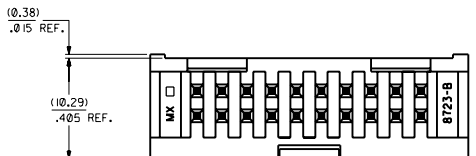
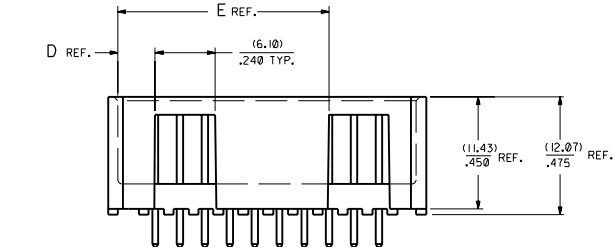
20 19 18 17 16 15 14 13 12 11 10 9 8 7 6 5 4 3 2 1



RECOMMENDED P.C. BOARD HOLE LAYOUT



SECTION J-J



CKT.	DIM. 'A'	DIM. 'B'	DIM. 'C'	DIM. 'D'	DIM. 'E'
06	(3.81) ±.150	(12.70) ±.500	(5.08) ±.200	(3.81) ±.150	
08	(3.81) ±.150	(15.24) ±.600	(7.62) ±.300	(3.81) ±.150	
10	(3.81) ±.150	(17.78) ±.700	(10.16) ±.400	(6.35) ±.250	
12	(3.81) ±.150	(20.32) ±.800	(12.70) ±.500	(6.35) ±.250	
14	(3.81) ±.150	(22.86) ±.900	(15.24) ±.600	(8.89) ±.350	
16	(3.81) ±.150	(25.40) ±.1.000	(17.78) ±.700	(8.89) ±.350	
18	(3.81) ±.150	(27.94) ±.1.100	(20.32) ±.800	(11.43) ±.450	
20	(3.81) ±.150	(30.48) ±.1.200	(22.86) ±.900	(3.81) ±.150	(21.59) ±.850
22	(3.81) ±.150	(33.02) ±.1.300	(25.40) ±.1.000	(3.81) ±.150	(24.13) ±.950
24	(3.81) ±.150	(35.56) ±.1.400	(27.94) ±.1.100	(3.81) ±.150	(26.67) ±.1.050
26	(3.81) ±.150	(38.10) ±.1.500	(30.48) ±.1.200	(3.81) ±.150	(29.21) ±.1.150
28	(3.81) ±.150	(40.64) ±.1.600	(33.02) ±.1.300	(3.81) ±.150	(31.75) ±.1.250
30	(3.81) ±.150	(43.18) ±.1.700	(35.56) ±.1.400	(3.81) ±.150	(34.29) ±.1.350
32	(3.81) ±.150	(45.72) ±.1.800	(38.10) ±.1.500	(3.81) ±.150	(36.83) ±.1.450
34	(3.81) ±.150	(48.26) ±.1.900	(40.64) ±.1.600	(3.81) ±.150	(39.37) ±.1.550
36	(3.81) ±.150	(50.80) ±.2.000	(43.18) ±.1.700	(3.81) ±.150	(41.91) ±.1.650
38	(3.81) ±.150	(53.34) ±.2.100	(45.72) ±.1.800	(3.81) ±.150	(44.45) ±.1.750
40	(3.81) ±.150	(55.88) ±.2.200	(48.26) ±.1.900	(3.81) ±.150	(46.99) ±.1.850
42	(3.81) ±.150	(58.42) ±.2.300	(50.80) ±.2.000	(3.81) ±.150	(49.53) ±.1.950
44	(3.81) ±.150	(60.96) ±.2.400	(53.34) ±.2.100	(3.81) ±.150	(52.07) ±.2.050
46	(3.81) ±.150	(63.50) ±.2.500	(55.88) ±.2.200	(3.81) ±.150	(54.61) ±.2.150
48	(3.81) ±.150	(66.04) ±.2.600	(58.42) ±.2.300	(3.81) ±.150	(57.15) ±.2.250
50	(3.81) ±.150	(68.58) ±.2.700	(60.96) ±.2.400	(3.81) ±.150	(59.69) ±.2.350
52	(3.81) ±.150	(71.12) ±.2.800	(63.50) ±.2.500	(3.81) ±.150	(62.23) ±.2.450
54	(3.81) ±.150	(73.66) ±.2.900	(66.04) ±.2.600	(3.81) ±.150	(64.77) ±.2.550
56	(3.81) ±.150	(76.20) ±.3.000	(68.58) ±.2.700	(3.81) ±.150	(67.31) ±.2.650
58	(3.81) ±.150	(78.74) ±.3.100	(71.12) ±.2.800	(3.81) ±.150	(69.85) ±.2.750
60	(3.81) ±.150	(81.28) ±.3.200	(73.66) ±.2.900	(3.81) ±.150	(72.39) ±.2.850
62	(3.81) ±.150	(83.82) ±.3.300	(76.20) ±.3.000	(3.81) ±.150	(74.93) ±.2.950
64	(3.81) ±.150	(86.36) ±.3.400	(78.74) ±.3.100	(3.81) ±.150	(77.47) ±.3.050
66	(3.81) ±.150	(88.90) ±.3.500	(81.28) ±.3.200	(3.81) ±.150	(80.01) ±.3.150
68	(3.81) ±.150	(91.44) ±.3.600	(83.82) ±.3.300	(3.81) ±.150	(82.55) ±.3.250
70	(3.81) ±.150	(93.98) ±.3.700	(86.36) ±.3.400	(3.81) ±.150	(85.09) ±.3.350
72	(3.81) ±.150	(96.52) ±.3.800	(88.90) ±.3.500	(3.81) ±.150	(87.63) ±.3.450

NOTES:

- 1- 20 CIRCUIT SIZE SHOWN FOR ILLUSTRATION PURPOSES.
- 2- PIN PUSHOUT FORCE: (17.79 N) 4 LBS.
- 3- PINS MUST MEET SOLDERABILITY SPEC. MIL-STD-202 METHOD 208B.
- 4- FOR CHARTED DIMENSIONS AND ASSEMBLY N.O.S NOT SHOWN ON THIS SHEET - SEE SHEET 4.
- 5- ROW TO ROW PIN HEIGHT VARIATION MUST NOT EXCEED (0.13) ±.005 IN.
- 6- WINDOW NOT AVAILABLE ON 6 AND 8 CIRCUIT SIZE.
- 7- PRODUCT CONFORM TO PS-8723.

MATERIAL:

SHROUDED WAFER: 30% G.F. POLYESTER, 94V-0; COLOR: BLACK.
 PINS: PHOS. BRONZE 510,
 SEE SHEET 4 FOR FINISHES.

ASSEMBLY STYLES "C" AND "D"

R2	SEE SHEET 1
R	SEE SHEET 1
P	SEE SHEET 1
O	SEE SHEET 1
N	SEE SHEET 1

DIMENSIONS SHOWN UNLESS OTHERWISE SPECIFIED IN PARAGRAPHS ARE IN MILLIMETERS

PLATE	±.005	---
PLATE	±.01	±.013
PLATE	---	±.025

DATE: 10/15/82
 SCALE: 4:1

MFG. | SH. | REV. | LTR. | REVISIONS

REVISE ONLY ON CAD SYSTEM

TITLE: SALES ASSEMBLY
 WAFER-STRAIGHT MT. FULLY SHROUDED
 .100 GRID-FOR USE W/ .025 SQ. PINS
 WITH .150 END WALLS

MOLEX INCORPORATED
 SHEET NO. 3
 DATE: 92/07/17

SEE CHART SDA-8723-*****

DA D

NO. OF CKTS	TIN		TIN		15 GOLD		15 GOLD		30 GOLD		30 GOLD		50 GOLD		50 GOLD		TIN		30 GOLD	
	EDP NUMBER	ENG NUMBER	EDP NUMBER	ENG NUMBER	EDP NUMBER	ENG NUMBER	EDP NUMBER	ENG NUMBER	EDP NUMBER	ENG NUMBER	EDP NUMBER	ENG NUMBER	EDP NUMBER	ENG NUMBER	EDP NUMBER	ENG NUMBER	EDP NUMBER	ENG NUMBER	EDP NUMBER	ENG NUMBER
	06	15-42-6206	A-8723-086164	15-42-6306	A-8723-086164	15-29-6206	A-8723-086571	15-29-6306	A-8723-086571	15-41-7206	A-8723-086574	15-41-7306	A-8723-086574	A-8723-086596	A-8723-086596	15-42-6606	A-8723-086164	15-42-6706	A-8723-086574	15-42-6806

NO. OF CKTS	TIN		TIN		15 GOLD		15 GOLD		30 GOLD		30 GOLD		50 GOLD		50 GOLD		TIN		30 GOLD	
	EDP NUMBER	ENG NUMBER	EDP NUMBER	ENG NUMBER	EDP NUMBER	ENG NUMBER	EDP NUMBER	ENG NUMBER	EDP NUMBER	ENG NUMBER	EDP NUMBER	ENG NUMBER	EDP NUMBER	ENG NUMBER	EDP NUMBER	ENG NUMBER	EDP NUMBER	ENG NUMBER	EDP NUMBER	ENG NUMBER
	06	15-42-6206	A-8723-086164	15-42-6306	A-8723-086164	15-29-6206	A-8723-086571	15-29-6306	A-8723-086571	15-41-7206	A-8723-086574	15-41-7306	A-8723-086574	A-8723-086596	A-8723-086596	15-42-6606	A-8723-086164	15-42-6706	A-8723-086574	15-42-6806

DIMENSIONS SHOWN METRIC INCH		REVISE ONLY ON CAD SYSTEM	
TITLE		SALES ASSEMBLY	
WAFAIR-STRAIGHT MT. FULLY SHROUDED		DATE	
.100 GRID-FOR USE W/.005 SQ. PINS		92/07/17	
WITH .150 END WALLS		PART NO.	
MOLEX INCORPORATED		SDA-8723-*****	
SEE CHART		SCALE	
L.T.R. REVISIONS		L.T.R. REVISIONS	