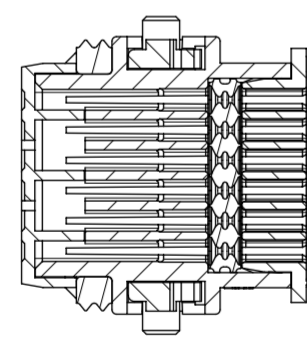
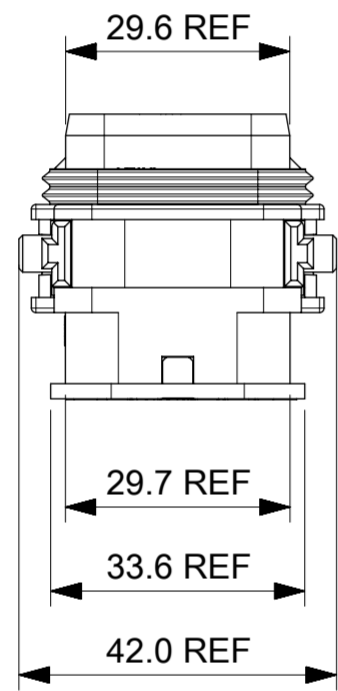
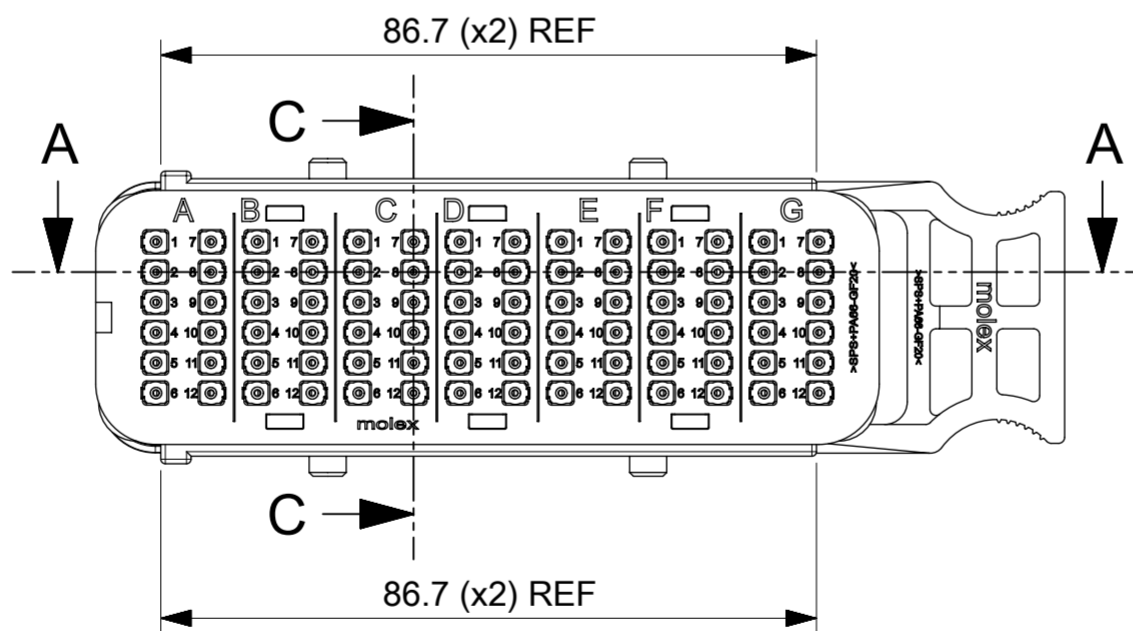
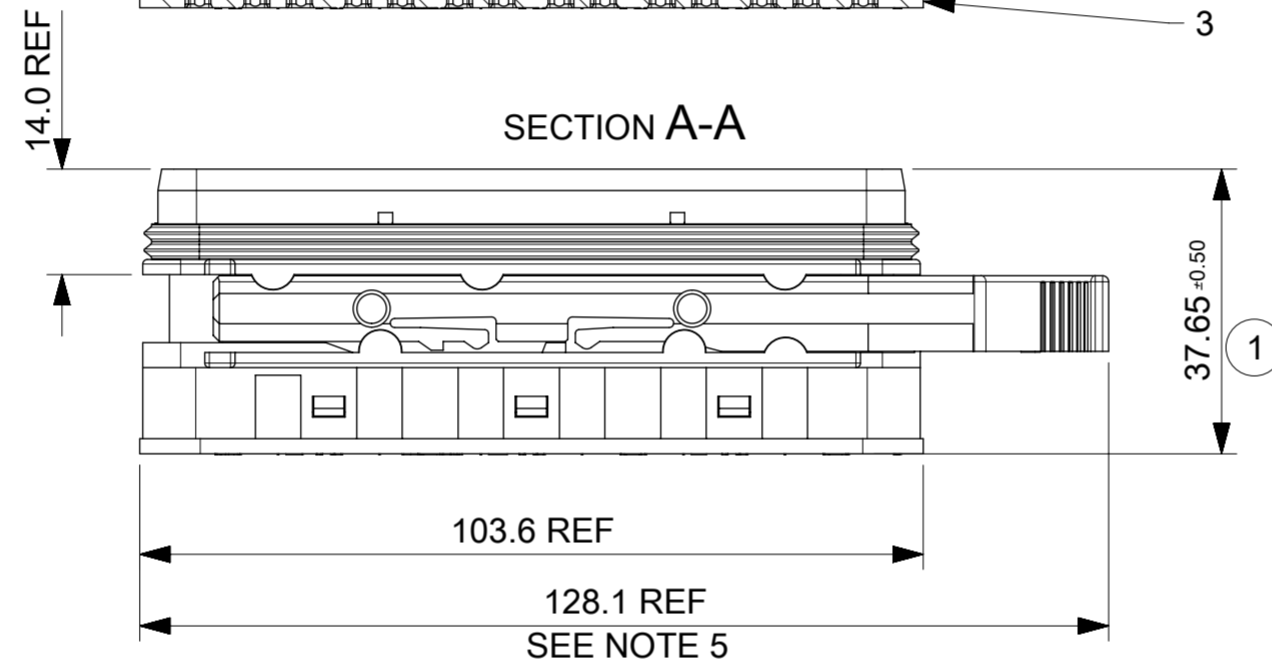
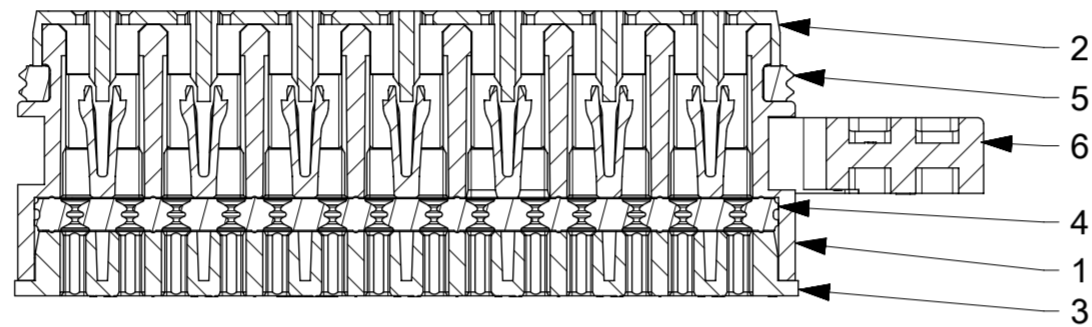
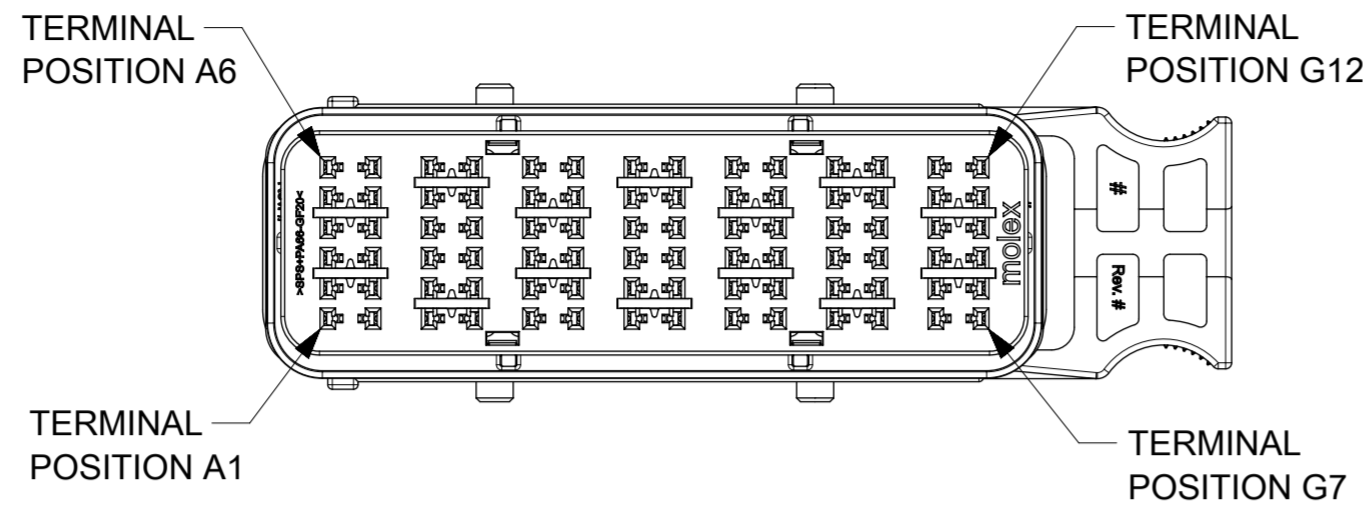
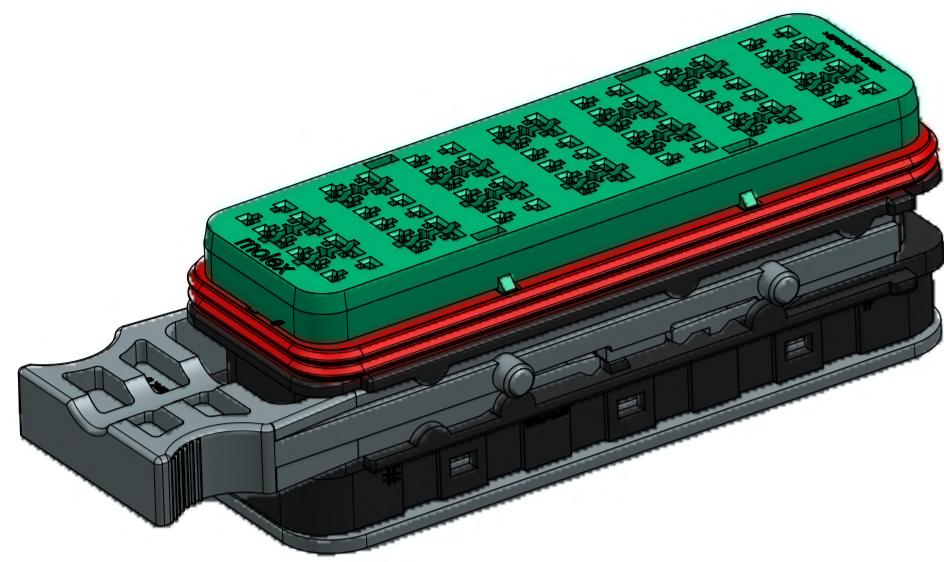


84+0 MAIN HOUSING BLACK

TPA IN FULL-LOCK (AS SHIPPED) POSITION AND LATCH IN PARTIALLY OPEN POSITION

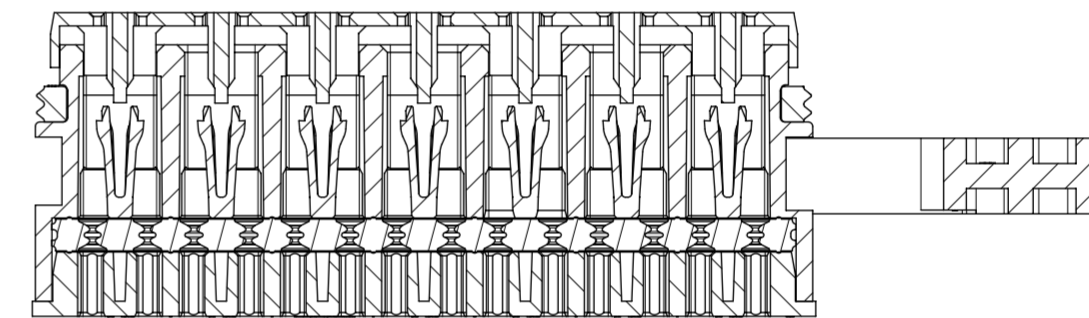
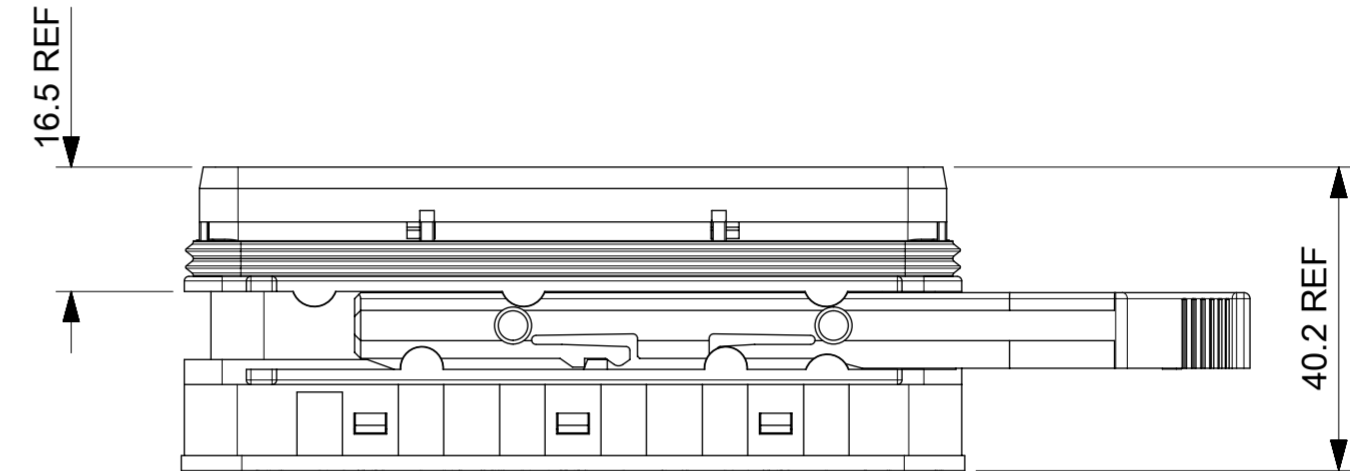
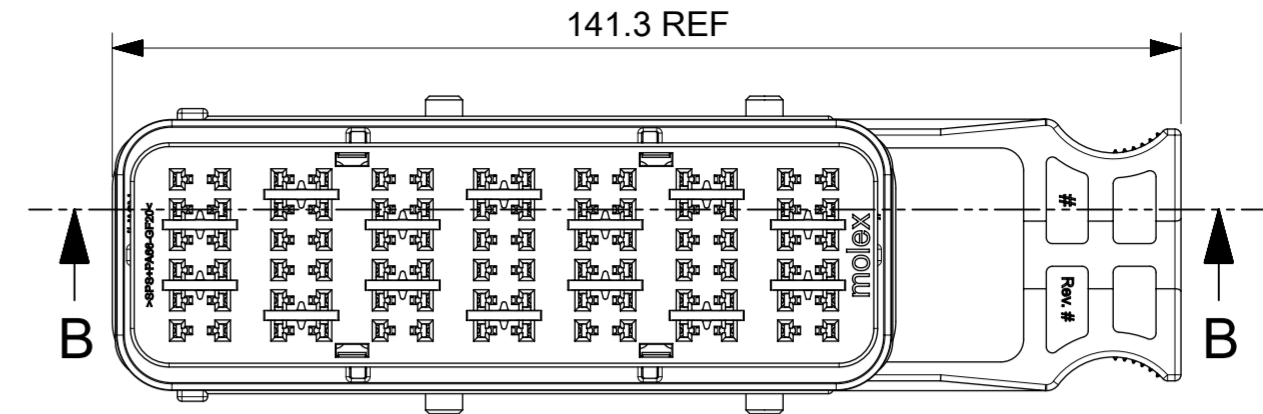


SECTION C-C

No.	DESCRIPTION	QTY.	COLOUR
6	SLIDING LATCH	1	BLACK
5	FEMALE FRONT SEAL	1	RED
4	FEMALE BACK SEAL	1	LIGHT BLUE
3	FEMALE REAR COVER	1	BLACK
2	FEMALE FRONT COVER	1	GREEN
1	FEMALE HOUSING	1	BLACK
BILL OF MATERIAL			

ACCEPTABLE CABLE INSULATION Ø RANGES (mm) - NOTE 3						
CAVITY SET						
A	B	C	D	E	F	G
1.5 - 2.7	1.5 - 2.7	1.5 - 2.7	1.5 - 2.7	1.5 - 2.7	1.5 - 2.7	1.5 - 2.7

TPA IN PRE-LOAD POSITION AND LATCH IN OPEN POSITION



SECTION B-B

NOTES:

- MATERIALS: HOUSINGS: POLYSTYRENE/NYLON BLEND, GLASS FILLED, UL 94 HB
SEALS: SILICONE RUBBER
- EXTERNAL SURFACES CLASS C PER MOLEX STANDARD PS-45499-002. VARIATION OF SHADE WITHIN OR BETWEEN BATCHES, OR DISCOLOURATION IS ACCEPTABLE.
- MX150 RECEPTACLE TERMINAL PER SD-33012-002 TO BE USED WITH THIS ASSEMBLY CRIMPED WITH CABLE INSULATION OUTER DIAMETER IN THE RANGE 1.5mm TO 2.7mm
- PRODUCT SPECIFICATION: 850830010 PSP
- PACKAGING SPECIFICATION: 850700010 PSK; LATCH SHIPPED IN PARTIALLY OPEN POSITION
- MATES WITH: SRC2 84 PIN BLADE HOUSING ASSEMBLY (BLACK)
PART NUMBER 932880001 PER 932880001 PSD OR 937928400 PER 937921000 PSD
- APPLICATION SPECIFICATION: 850830010 PSA
- CONDUIT INTERFACE OPTIONS: REFER TO 934811000 PSD

INSPECTION NUMBERS RESERVED FOR THIS SHEET: 1-50
LAST INSPECTION NUMBER USED: 1

QUALITY SYMBOLS	THIS DRAWING CONTAINS INFORMATION THAT IS PROPRIETARY TO MOLEX ELECTRONIC TECHNOLOGIES, LLC AND SHOULD NOT BE USED WITHOUT WRITTEN PERMISSION		GENERAL TOLERANCES (UNLESS SPECIFIED)	DIMENSION UNITS	SCALE	molex
▽ = 0	2017/04/12	2017/06/30	MM	1:1	SRC2 FEMALE 84 PIN RECEPTACLE HOUSING ASSEMBLY	
▽ = 0	DRWN: SMC GREVY	CHKD: AJOBRIEN	ANGULAR TOL ± 0.5 °	DRWN BY		DATE
▽ = 0	EC NO: 114187	REV: APPR: JD WALLACE	4 PLACES ±	AJOBRIEN	2016/01/21	SERIES MATERIAL NUMBER CUSTOMER 93287 932870001 GENERAL MARKET
▽ = 0	ADD GREEN OPTIONS		3 PLACES ±	CHK'D BY	DATE	
▽ = 0			2 PLACES ± 0.2	SMC GREVY	2016/01/22	
▽ = 0			1 PLACE ± 0.5	APPR BY	DATE	
▽ = 0			0 PLACES ±	JD WALLACE	2016/01/26	
▽ = 0			DRAFT WHERE APPLICABLE MUST REMAIN WITHIN DIMENSIONS	DRAWING SIZE	THIRD ANGLE PROJECTION	
▽ = 0	A3			A2		

84+0 (2.5) MAIN HOUSING BLACK

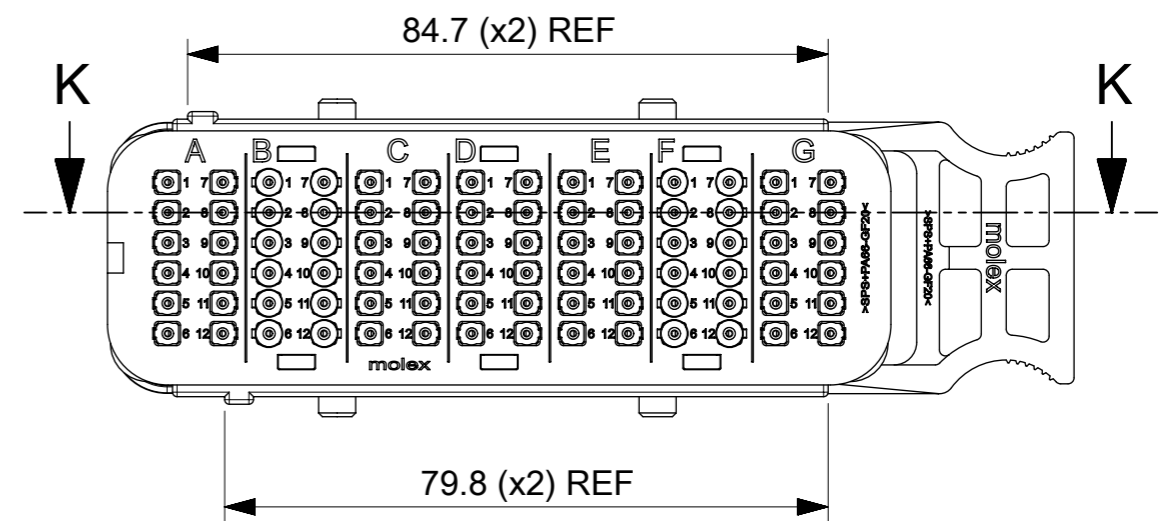
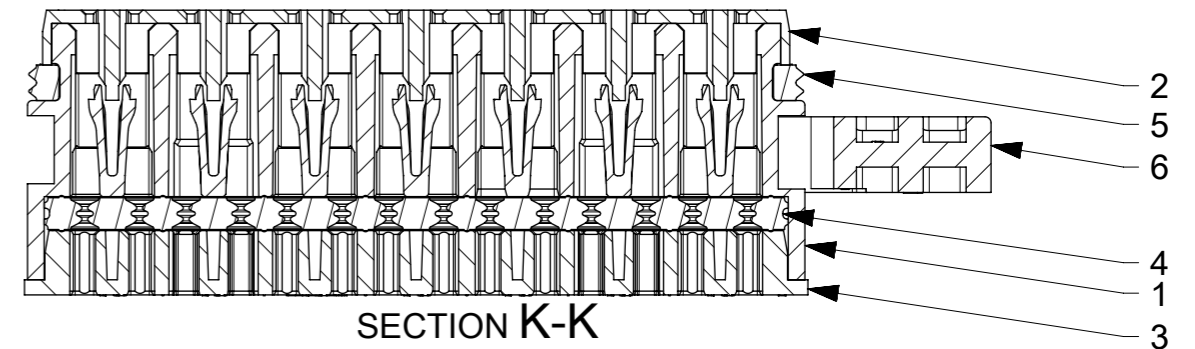
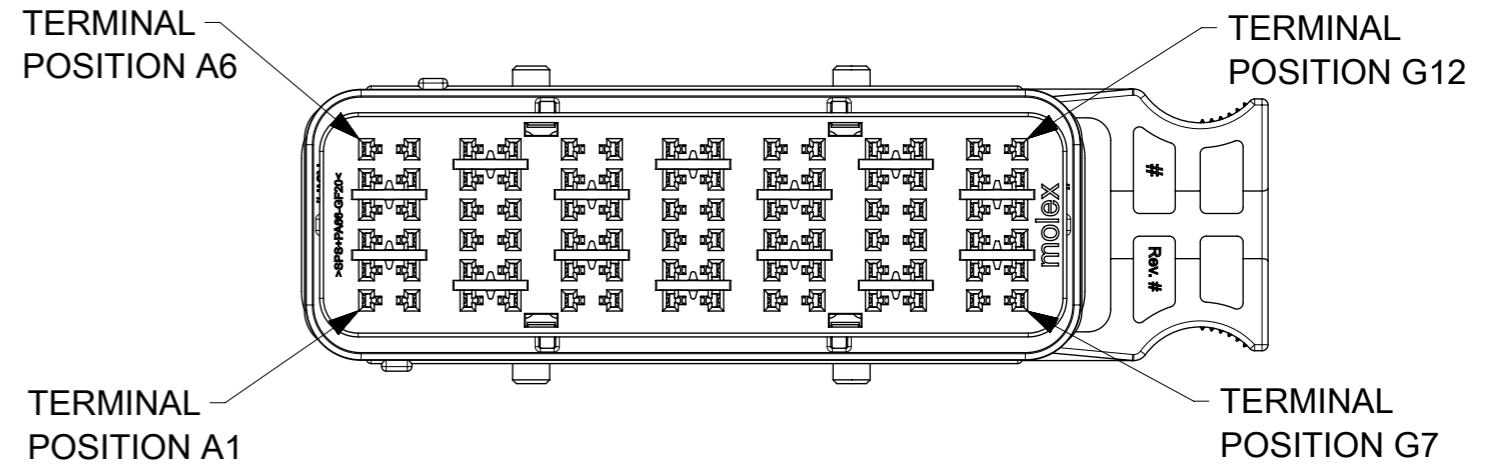
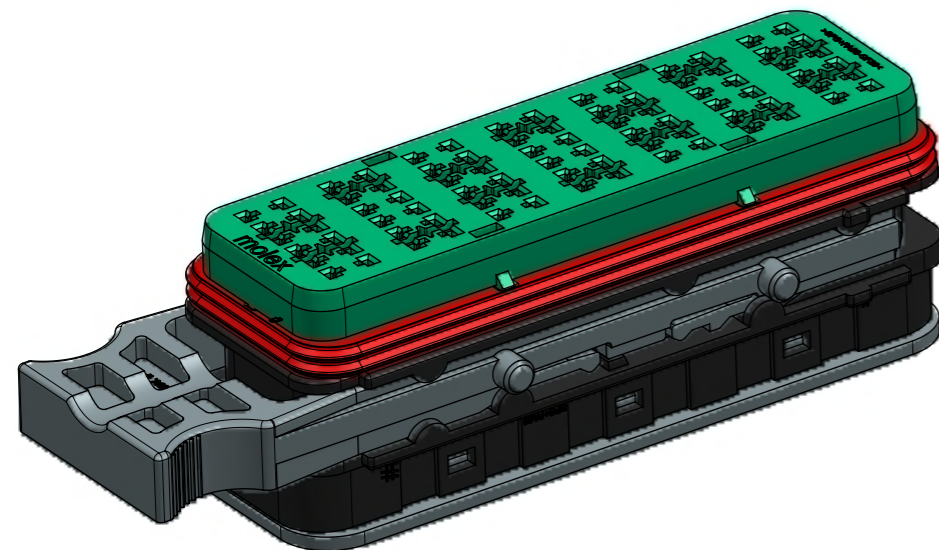
NOTES:

1. REFERENCE SHEET ONE FOR UNSPECIFIED NOTES AND DIMENSIONS
2. MX150 RECEPTACLE TERMINAL PER SD-33012-002 TO BE USED WITH THIS ASSEMBLY IN ALL CAVITIES CRIMPED WITH CABLE INSULATION OUTER DIAMETER IN THE RANGE 1.5mm TO 2.7mm
3. SRC RECEPTACLE TERMINALS PER 936430010 PSD MAY BE USED WITH THIS ASSEMBLY IN CAVITIES B & F CRIMPED WITH 2.5mm² (13AWG) CABLE INSULATION OUTER DIAMETER IN THE RANGE 2.7mm TO 3.0mm
4. MATES WITH: SRC2 84 PIN 2.5 BLADE HOUSING ASSEMBLY (BLACK) PART NUMBER 932888425 PER 932880001 PSD OR 937928425 PER 937921000 PSD

ACCEPTABLE CABLE INSULATION Ø RANGES (mm) - NOTES 2 & 3 (COMBINATIONS OF CABLES PER NOTES 2 & 3 ALLOWED IN B & F)						
CAVITY SET						
A	B	C	D	E	F	G
1.5 - 2.7	1.5 - 3.0	1.5 - 2.7	1.5 - 2.7	1.5 - 2.7	1.5 - 3.0	1.5 - 2.7

6	SLIDING LATCH	1	BLACK
5	FEMALE FRONT SEAL	1	RED
4	FEMALE BACK SEAL	1	LIGHT BLUE
3	FEMALE REAR COVER	1	BLACK
2	FEMALE FRONT COVER	1	GREEN
1	FEMALE HOUSING	1	BLACK
No.	DESCRIPTION	QTY.	COLOUR

BILL OF MATERIAL



QUALITY SYMBOLS	THIS DRAWING CONTAINS INFORMATION THAT IS PROPRIETARY TO MOLEX ELECTRONIC TECHNOLOGIES, LLC AND SHOULD NOT BE USED WITHOUT WRITTEN PERMISSION										
▽A = 0	ADD GREEN OPTIONS EC NO: 114187 DRWN: SMCGREEVY CHK'D: AJOBRIEN APPR: JDWALLACE	GENERAL TOLERANCES (UNLESS SPECIFIED)		DIMENSION UNITS	SCALE						
▽E = 0		ANGULAR TOL ± 0.5 °		MM	1:1						
▽F = 0		4 PLACES ±	DATE		AJOBRIEN 2016/01/21		SRC2 FEMALE 84 PIN RECEPTACLE HOUSING ASSEMBLY				
▽ = 0		3 PLACES ±	DATE		SMCGREEVY 2016/01/22						
▽C = 0		2 PLACES ± 0.2	DATE		JDWALLACE 2016/01/26		PRODUCT CUSTOMER DRAWING				
▽ = 0		1 PLACE ± 0.5	DATE								
⊠ = 0		0 PLACES ±	DATE				SERIES	MATERIAL NUMBER	CUSTOMER		
■ = 0		DRAFT WHERE APPLICABLE MUST REMAIN WITHIN DIMENSIONS		DRAWING SIZE	THIRD ANGLE PROJECTION		93287	932878425	GENERAL MARKET		
▽ = 0		A3			A3		DOCUMENT NUMBER	DOC TYPE	DOC PART	SHEET NUMBER	
							932870001	PSD	000	2 OF 4	

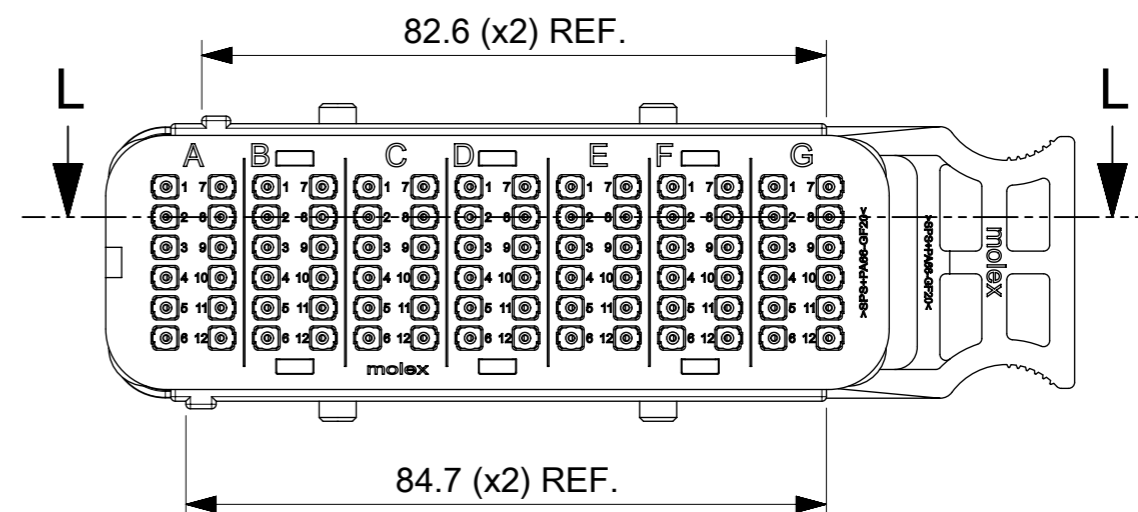
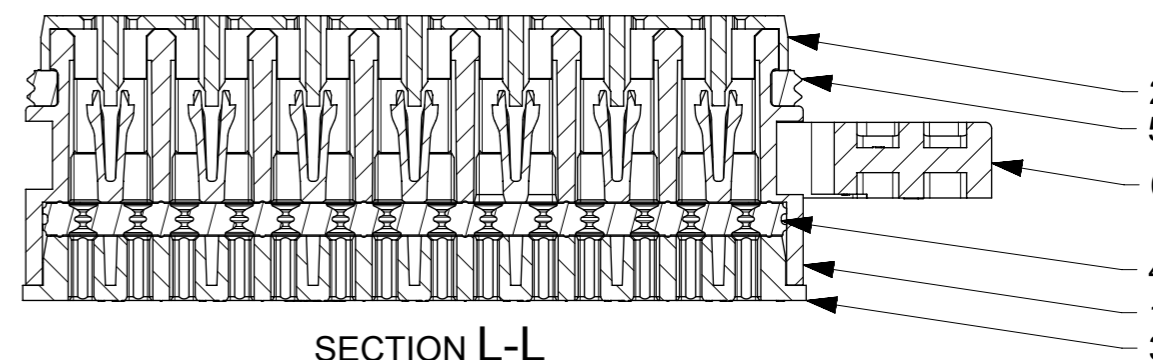
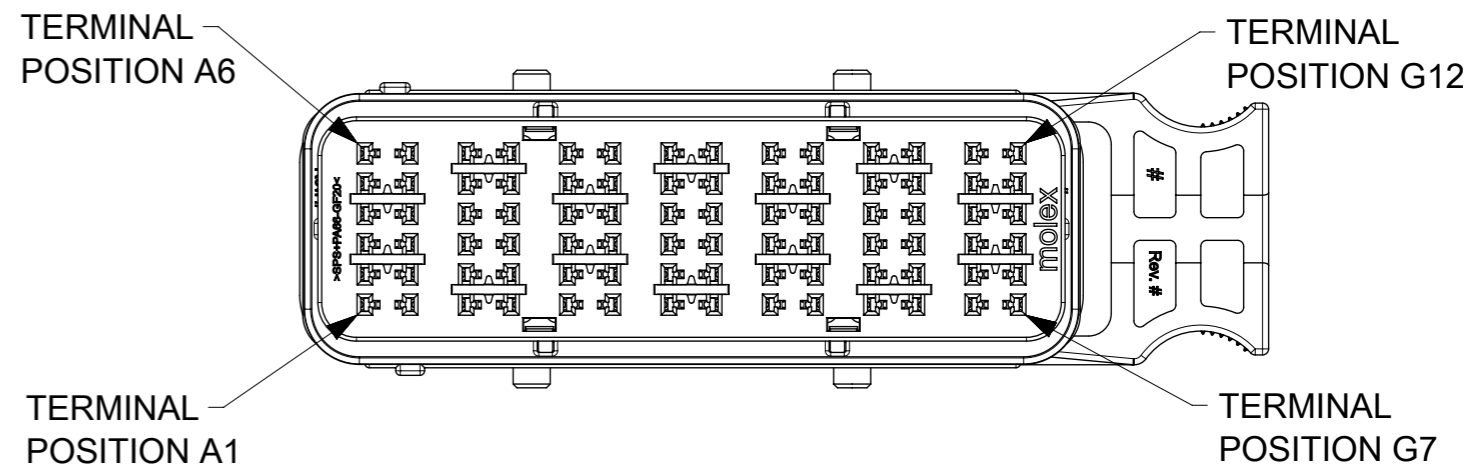
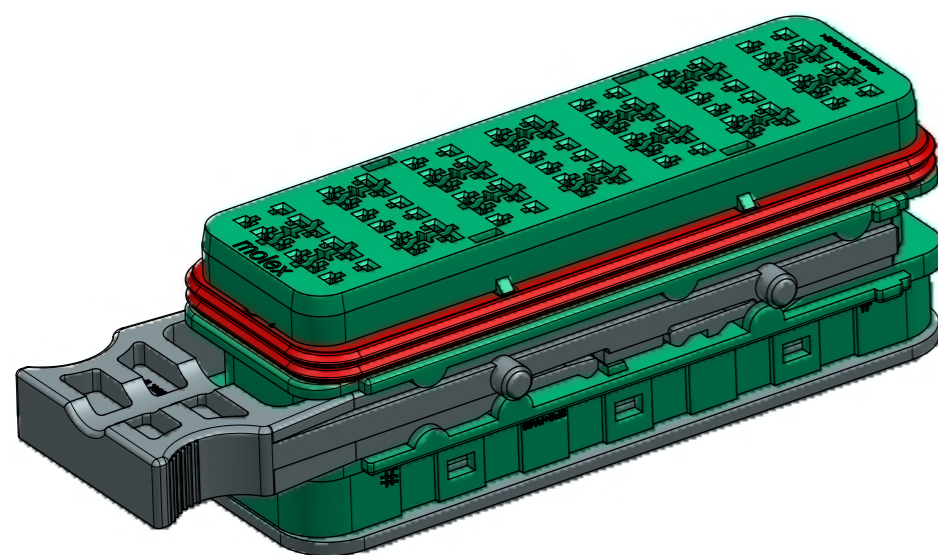
84+0 MAIN HOUSING GREEN

1. REFERENCE SHEET ONE FOR UNSPECIFIED NOTES AND DIMENSIONS
2. MX150 RECEPTACLE TERMINAL PER SD-33012-002 TO BE USED WITH THIS ASSEMBLY IN ALL CAVITIES, CRIMPED WITH CABLE INSULATION OUTER DIAMETER IN THE RANGE 1.5mm TO 2.7mm
3. MATES WITH: SRC2 84 PIN BLADE HOUSING ASSEMBLY (GREEN) PART NUMBER 938508400 PER 937921000 PSD

ACCEPTABLE CABLE INSULATION Ø RANGES (mm) - NOTE 2						
CAVITY SET						
A	B	C	D	E	F	G
1.5 - 2.7	1.5 - 2.7	1.5 - 2.7	1.5 - 2.7	1.5 - 2.7	1.5 - 2.7	1.5 - 2.7

6	SLIDING LATCH	1	BLACK
5	FEMALE FRONT SEAL	1	RED
4	FEMALE BACK SEAL	1	LIGHT BLUE
3	FEMALE REAR COVER	1	BLACK
2	FEMALE FRONT COVER	1	GREEN
1	FEMALE HOUSING	1	GREEN
No.	DESCRIPTION	QTY.	COLOUR

BILL OF MATERIAL



QUALITY SYMBOLS	THIS DRAWING CONTAINS INFORMATION THAT IS PROPRIETARY TO MOLEX ELECTRONIC TECHNOLOGIES, LLC AND SHOULD NOT BE USED WITHOUT WRITTEN PERMISSION										
▽A = 0	ADD GREEN OPTIONS EC NO: 114187 DRWN: SMCGREEVY CHK'D: AJOBRIEN APPR: JDWALLACE	GENERAL TOLERANCES (UNLESS SPECIFIED)		DIMENSION UNITS	SCALE						
▽E = 0		ANGULAR TOL ± 0.5 °		MM	1:1						
▽F = 0		4 PLACES ±	DATE		AJOBRIEN 2016/01/21		SRC2 FEMALE 84 PIN RECEPTACLE HOUSING ASSEMBLY				
▽ = 0		3 PLACES ±	DATE		SMCGREEVY 2016/01/22						
▽C = 0		2 PLACES ± 0.2	DATE		JDWALLACE 2016/01/26		PRODUCT CUSTOMER DRAWING				
▽ = 0		1 PLACE ± 0.5	DATE								
⊗ = 0		0 PLACES ±	DATE		DRAWING SIZE	THIRD ANGLE PROJECTION	SERIES	MATERIAL NUMBER	CUSTOMER		
■ = 0		DRAFT WHERE APPLICABLE MUST REMAIN WITHIN DIMENSIONS	DATE		A3		93287	938498400	GENERAL MARKET		
▽ = 0			DATE				DOCUMENT NUMBER	DOC TYPE	DOC PART	SHEET NUMBER	
			DATE				932870001	PSD	000	3 OF 4	

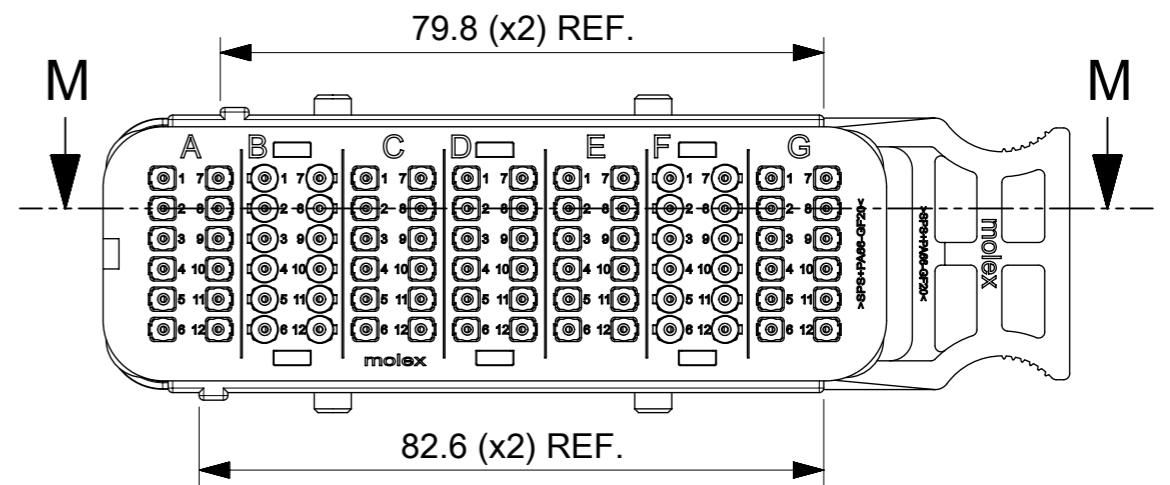
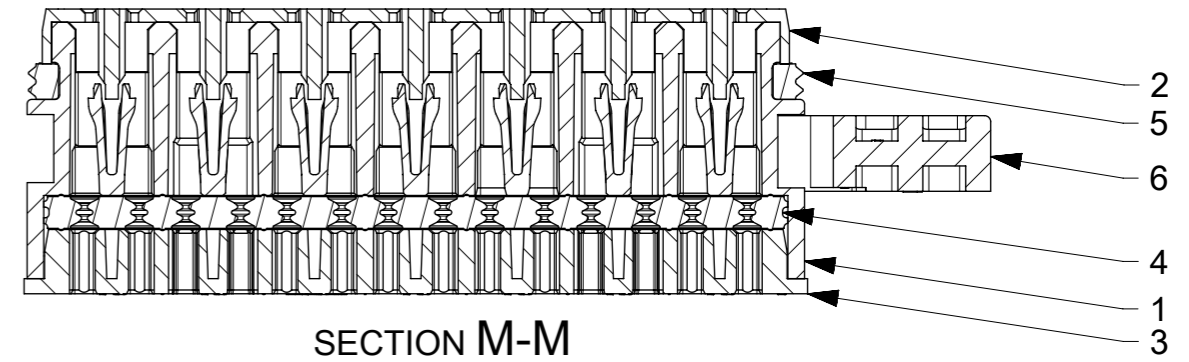
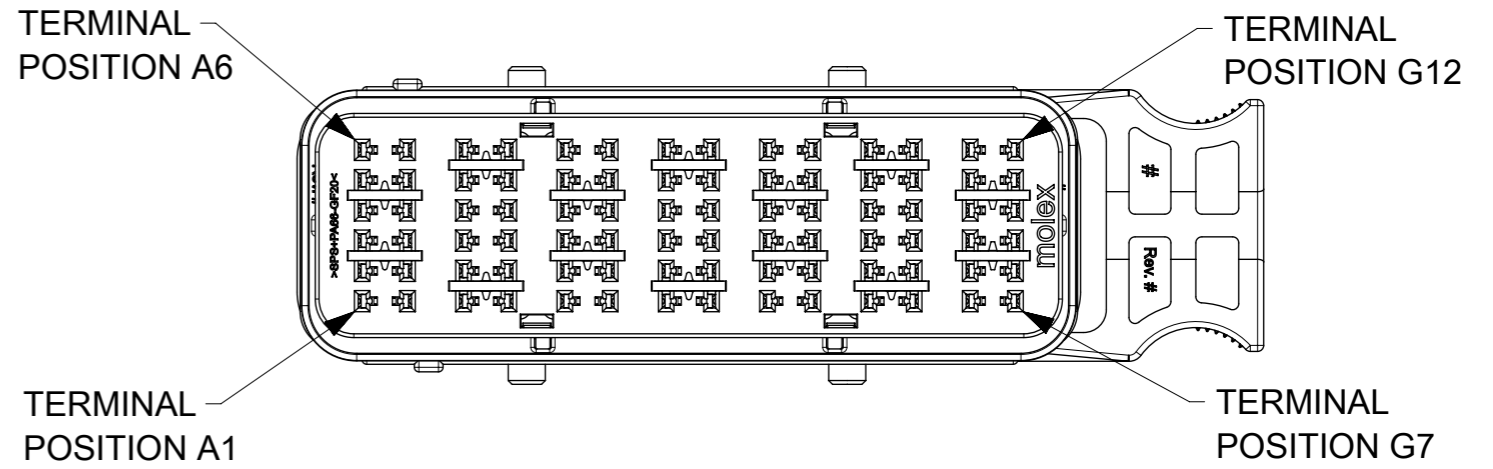
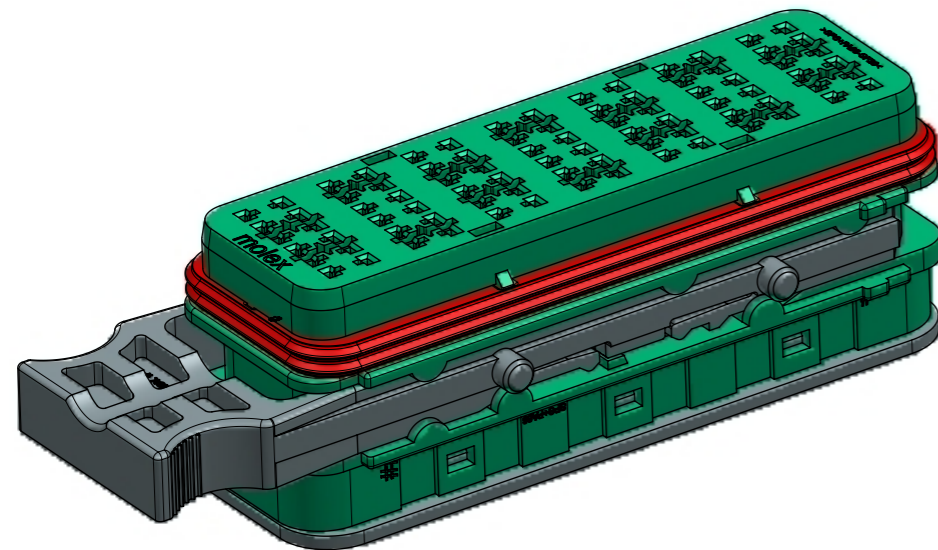
84+0 (2.5) MAIN HOUSING GREEN

1. REFERENCE SHEET ONE FOR UNSPECIFIED NOTES AND DIMENSIONS
2. MX150 RECEPTACLE TERMINAL PER SD-33012-002 TO BE USED WITH THIS ASSEMBLY IN ALL CAVITIES CRIMPED WITH CABLE INSULATION OUTER DIAMETER IN THE RANGE 1.5mm TO 2.7mm
3. SRC RECEPTACLE TERMINALS PER 936430010 PSD MAY BE USED WITH THIS ASSEMBLY IN CAVITIES B & F CRIMPED WITH 2.5mm² (13AWG) CABLE INSULATION OUTER DIAMETER IN THE RANGE 2.7mm TO 3.0mm
4. MATES WITH: SRC2 84 PIN 2.5 BLADE HOUSING ASSEMBLY (GREEN) PART NUMBER 938508425 PER 937921000 PSD

ACCEPTABLE CABLE INSULATION Ø RANGES (mm) - NOTES 2 & 3 (COMBINATIONS OF CABLES PER NOTES 2 & 3 ALLOWED IN B & F)						
CAVITY SET						
A	B	C	D	E	F	G
1.5 - 2.7	1.5 - 3.0	1.5 - 2.7	1.5 - 2.7	1.5 - 2.7	1.5 - 3.0	1.5 - 2.7

6	SLIDING LATCH	1	BLACK
5	FEMALE FRONT SEAL	1	RED
4	FEMALE BACK SEAL	1	LIGHT BLUE
3	FEMALE REAR COVER	1	BLACK
2	FEMALE FRONT COVER	1	GREEN
1	FEMALE HOUSING	1	GREEN
No.	DESCRIPTION	QTY.	COLOUR

BILL OF MATERIAL



QUALITY SYMBOLS	THIS DRAWING CONTAINS INFORMATION THAT IS PROPRIETARY TO MOLEX ELECTRONIC TECHNOLOGIES, LLC AND SHOULD NOT BE USED WITHOUT WRITTEN PERMISSION															
▽ = 0	ADD GREEN OPTIONS EC NO: 114187 DRWN: SMCGREEVY CHK'D: AJOBRIEN APPR: JDWALLACE	GENERAL TOLERANCES (UNLESS SPECIFIED)		DIMENSION UNITS	SCALE	molex®										
▽ = 0		ANGULAR TOL ± 0.5 °		MM	1:1											
▽ = 0		4 PLACES ±		DRWN BY	DATE	SRC2 FEMALE 84 PIN RECEPTACLE HOUSING ASSEMBLY										
▽ = 0		3 PLACES ±		AJOBRIEN	2016/01/21											
▽ = 0		2 PLACES ± 0.2		CHK'D BY	DATE	PRODUCT CUSTOMER DRAWING										
▽ = 0		1 PLACE ± 0.5		SMCGREEVY	2016/01/22											
▽ = 0		0 PLACES ±		APPR BY	DATE	<table border="1" style="width: 100%;"> <tr> <td>SERIES</td> <td>MATERIAL NUMBER</td> <td>CUSTOMER</td> </tr> <tr> <td>93287</td> <td>938498425</td> <td>GENERAL MARKET</td> </tr> </table>				SERIES	MATERIAL NUMBER	CUSTOMER	93287	938498425	GENERAL MARKET	
SERIES		MATERIAL NUMBER	CUSTOMER													
93287		938498425	GENERAL MARKET													
▽ = 0		DRAFT WHERE APPLICABLE MUST REMAIN WITHIN DIMENSIONS		DRAWING SIZE	THIRD ANGLE PROJECTION	<table border="1" style="width: 100%;"> <tr> <td>DOCUMENT NUMBER</td> <td>DOC TYPE</td> <td>DOC PART</td> <td>SHEET NUMBER</td> </tr> <tr> <td>932870001</td> <td>PSD</td> <td>000</td> <td>4 OF 4</td> </tr> </table>				DOCUMENT NUMBER	DOC TYPE	DOC PART	SHEET NUMBER	932870001	PSD	000
DOCUMENT NUMBER	DOC TYPE	DOC PART	SHEET NUMBER													
932870001	PSD	000	4 OF 4													
▽ = 0	A3	REV	A3													