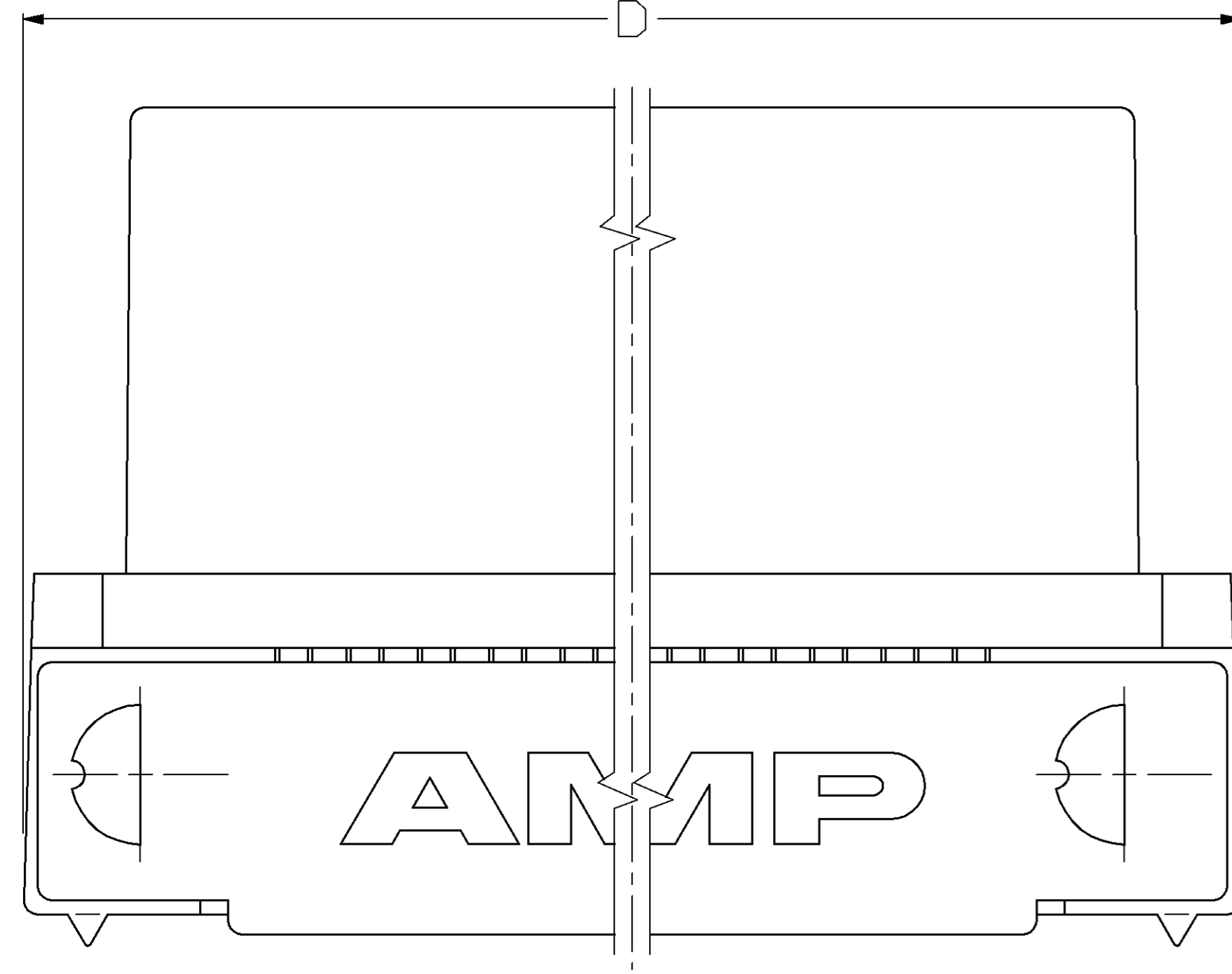
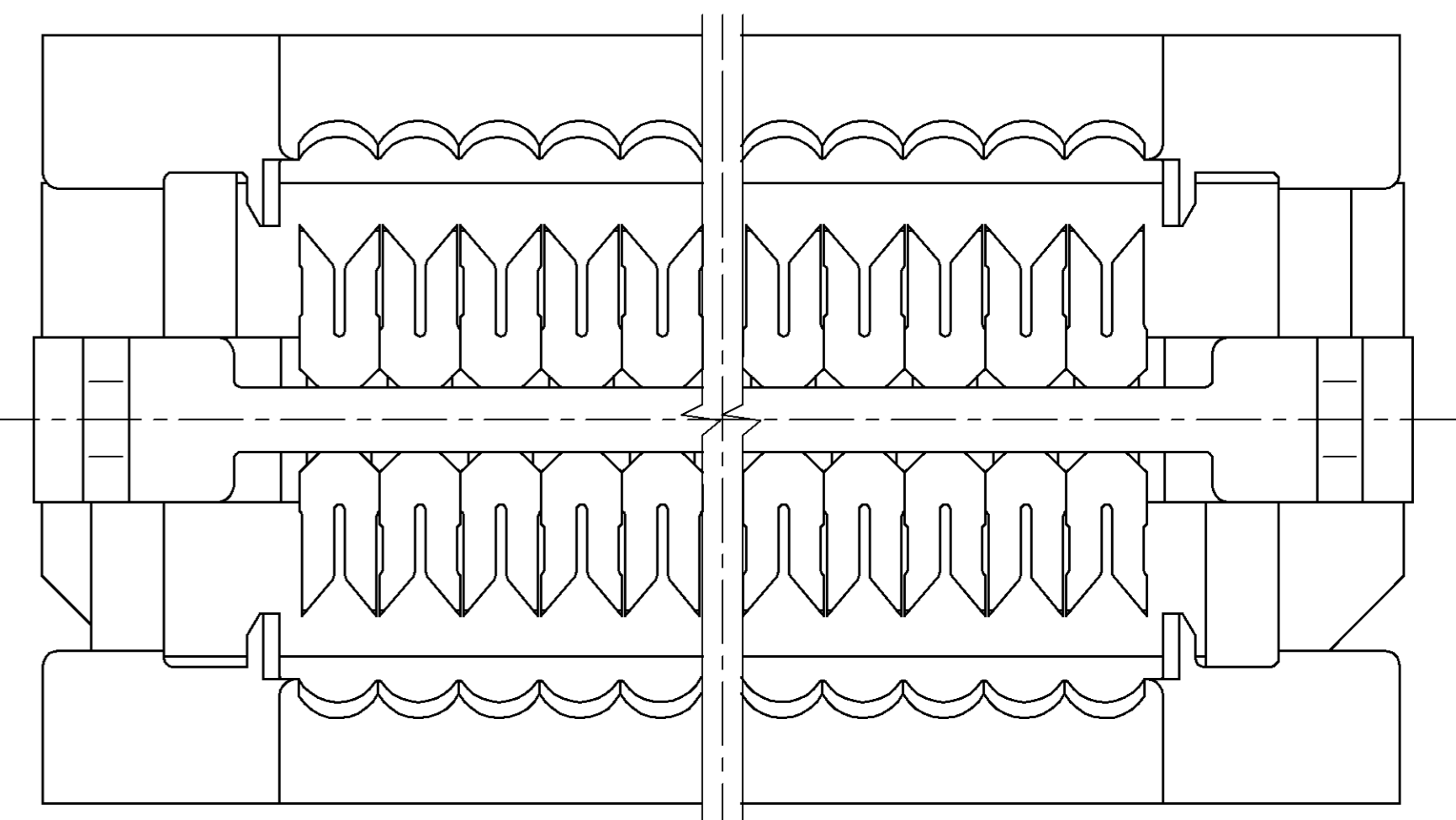
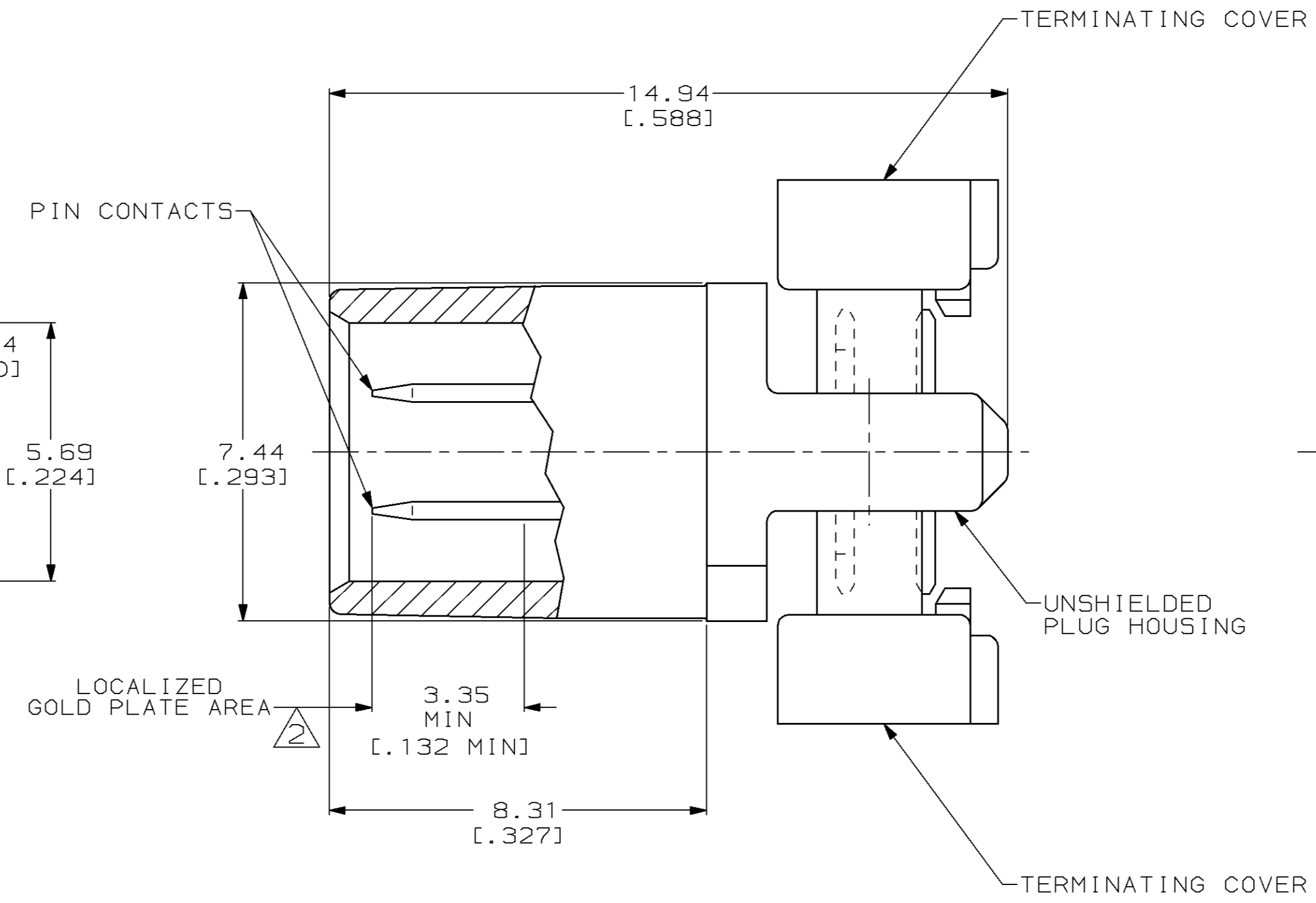
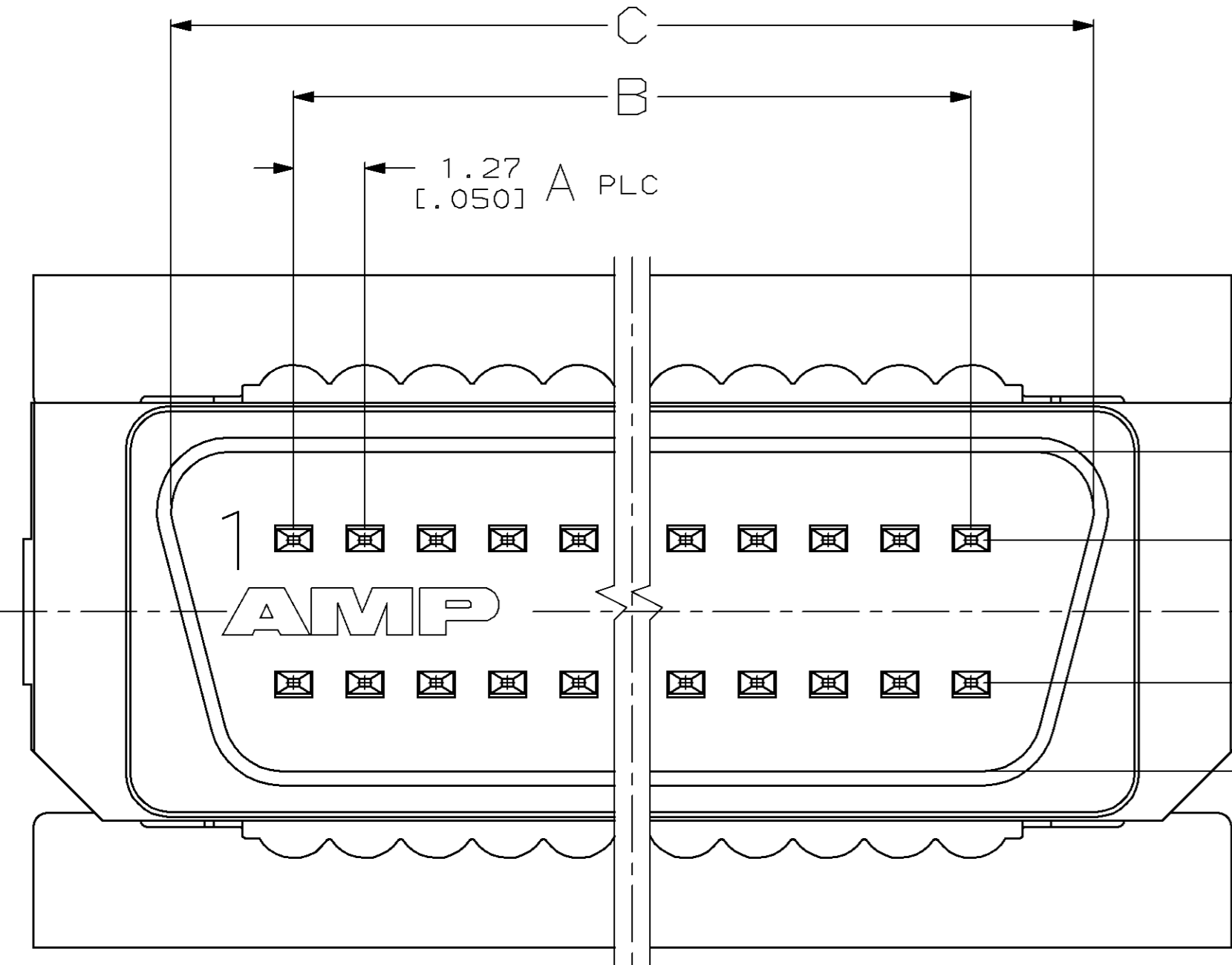


LOC		DIST		P		ZONE		LTR		REVISIONS			
BD	95									DESCRIPTION	DATE	APPD	
										G	REV PER EC 0020-1532-94	05/04/95	RM
										H	OBS -1 & -6 PER EC 0020-481-96	12 FEB 97	LB
										J	REV PER EC 0410-136-97	10 APR 97	RW
										K	REACTIVATED -4 PER EC 0G40-342-98	10 SEP 98	DA



- 1 MATERIAL:
 PIN CONTACTS- PHOSPHOR BRONZE.
 PLUG HOUSING UL V-0 RATED THERMOPLASTIC, COLOR: SEE TABLE.
 TERMINATION COVERS- UL V-0 RATED THERMOPLASTIC, COLOR: BLACK.
- 2 PLATING:
 PIN CONTACTS- 0.00076 [0.00030] MINIMUM GOLD PLATE IN LOCALIZED GOLD PLATE AREA, 0.00127 [0.00050] MINIMUM BRIGHT TIN-LEAD PLATE IN TERMINATION AREA, ALL OVER 0.00127 [0.00050] MINIMUM NICKEL.
- 3. DIMENSIONS IN BRACKETS ARE IN INCHES.
- 4. RECOMMENDED WIRE:
 28 AWG- 0.81 [0.032] MAX O.D. PVC OR POLYETHYLENE INSULATION.
- 5 OBSOLETE PART NUMBER.

COLOR	D	C	B	A	NO OF POSN	PART NO
BLACK	26.14 [1.029]	20.88 [0.822]	16.51 [0.650]	13	28	749925-7
	71.86 [2.829]	66.60 [2.622]	62.23 [2.450]	49	100	5 749925-6
	51.54 [2.029]	46.28 [1.822]	41.91 [1.650]	33	68	749925-5
	46.46 [1.829]	41.20 [1.622]	36.83 [1.450]	29	60	749925-4
GRAY	40.11 [1.579]	34.85 [1.372]	30.48 [1.200]	24	50	749925-3
BLACK	33.76 [1.329]	28.50 [1.122]	24.13 [0.950]	19	40	5 749925-2
	21.06 [0.829]	15.80 [0.622]	11.43 [0.450]	9	20	5 749925-1

DO NOT SCALE PRINT. UNLESS SPECIFIED DIMENSIONS IN mm [INCHES] TOLERANCES: ON: 2 PLC DEC ± 0.38 [0.015] 3 PLC DEC ± - ANGLES ± 2°		DR 12/04/89 M. MCCAFFREY CHK 12/05/89 W. DAVIS APPD 12/06/89 D. GRIESEMER APPD 12/06/89 R. WHITEMAN		AMP INCORPORATED Harrisburg, Pa. 17105		
MATERIAL -		PRODUCT SPEC -				
FINISH -		APPLICATION SPEC -		SIZE D	CAGE CODE 00779	DRAWING NO 749925
WEIGHT -		SCALE 10:1		SHEET 1 OF 1		