



4380-5020 MHz Cavity Bandpass Filter

Part Number: AB4700B1196



ANATECH ELECTRONICS INC
RF & Microwave Filters & Products

Electrical specifications

Center Frequency: 4700MHz
Passband: 4380-5020 MHz
Passband Insertion Loss: ≤1.0 dB (TYP: 0.7 dB)
Passband Return Loss: ≥15 dB
Rejection: ≥80 dB @ 5250-5280 MHz
Power Handling: 25 W
Input / Output Impedance: 50 Ohms

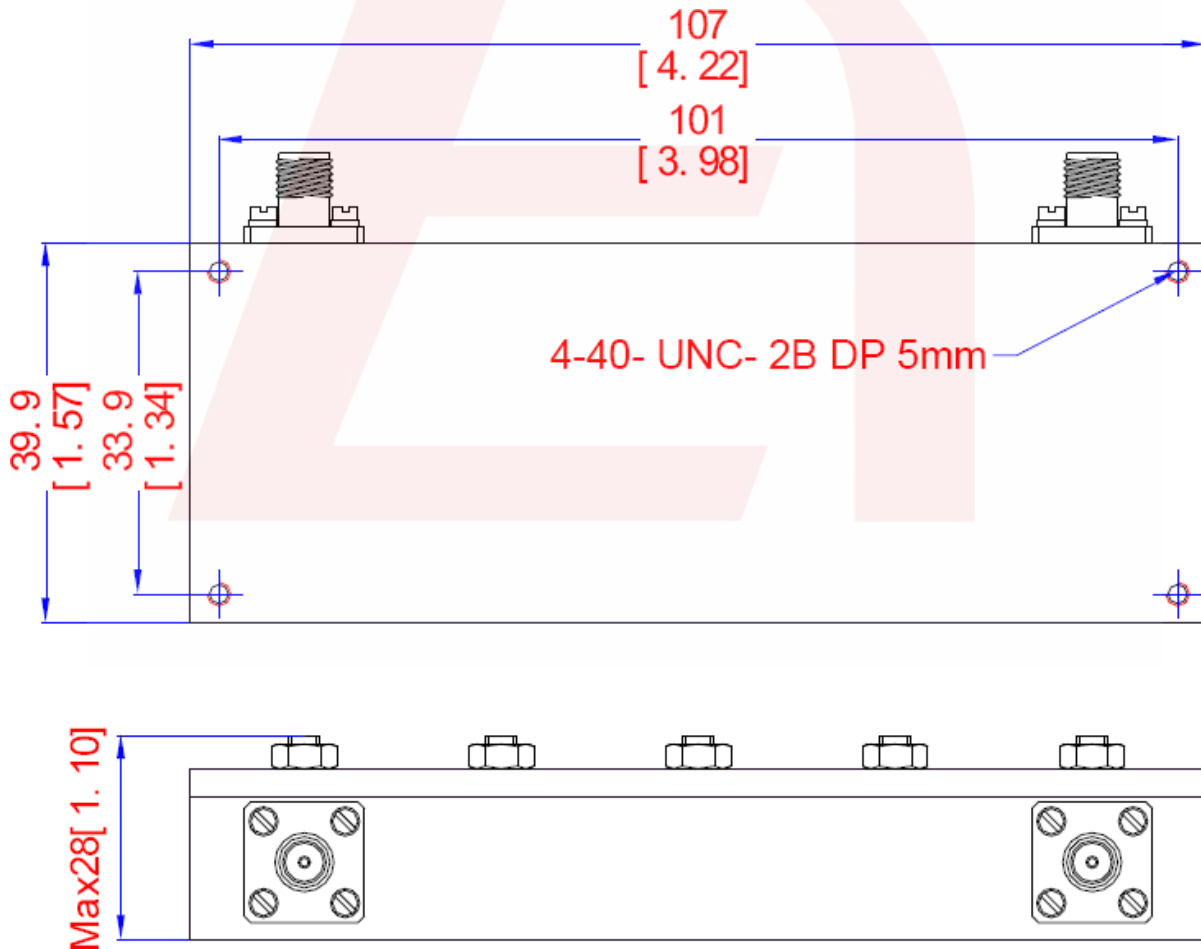
Mechanical

Connector Type: SMA (F)
Dimensions: 4.22 x 1.57 x 1.10 inches

Environmental

Operating Temperature: -45 to +85 deg. C
Storage temperature: -65 to +95 deg. C
Shock: 20 G's, ½ sine, 11ms
Vibration: 10 G's, 10-2000Hz
Relative Humidity: 0-95%

Outline Drawing:



DS-B1196-03152018-Rev1



Response Plot:

