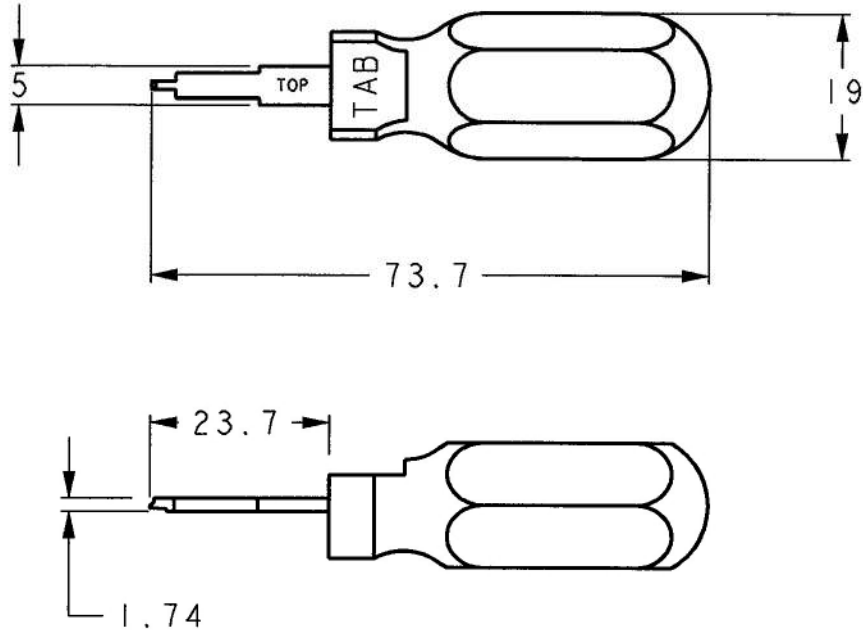


LOC	DIST	REVISIONS						
		P	LTR	DESCRIPTION	ECN	DATE	DWN	APVD
J		A		Add applicable product	ECR-19-005695	09APR2019	S.N	J.S



1 APPLICABLE PRODUCT  
 TERMINAL: 177916-□ 177917-□  
 HSG: CAP

POWER VERSA-LOCK SERIES :  
 TERMINAL : 2329906, 2329907, 2329908, 2329909.  
 HOUSING : 2325350, 2336231, 2337219, 2345729.

2 INSTRUCTION SHEET NO: 411-5752

THIS DRAWING IS UNPUBLISHED. BY AMP INCORPORATED. ALL RIGHTS RESERVED. © COPYRIGHT

DIMENSIONS: 單位: 毫 mm TOLERANCES UNLESS OTHERWISE SPECIFIED: 一般公差 10 > : ±0.2 30 ≥ : ±0.25 100 > : ±0.3 ANGLE : ±0.3°	DWN	J.K	10MAY96	WTRE RANGE	INSULATION DIA
	CHK	J.KOGA	10MAY96	MATERIAL	FINISH
	APVD	H.TANAKA	10MAY96		
	PRODUCT SPEC				
APPLICATION SPEC			NAME	EXT-TOOL FOR PDBL-L TAB	
WEIGHT			SIZE	CAGE CODE	DRAWING NO
CUSTOMER DRAWING			A4	00779	C- 234914 - 1
			SCALE	SHEET	OF
			1:1	1	REV A