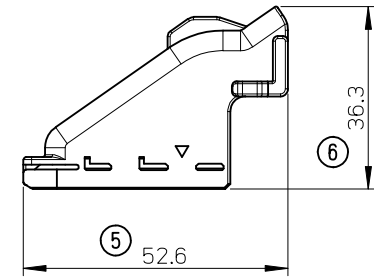
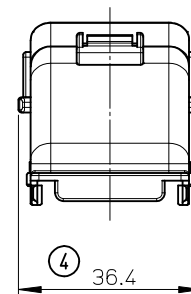
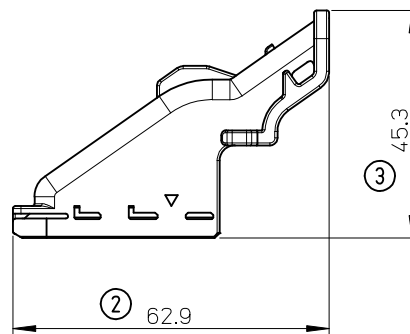
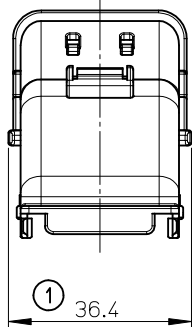
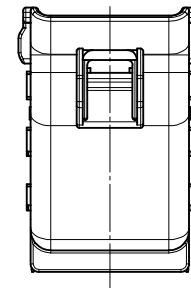
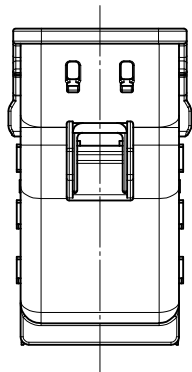


10 9 8 7 6 5 4 3 2 1



LONG TYPE
560190-0111

SHORT TYPE
560190-0101

NOTES

1. GENERAL TOLERANCES
 $<10: \pm 0.3$
 $10 \leq <30: \pm 0.4$
 $30 \leq : \pm 0.5$
 ANGULAR : $\pm 5^\circ$
2. APPLICABLE CONNECTOR
 560153, 560154 SERIES
3. MATERIAL: PA, UNFILLED
4. COLOR: BLACK
5. ELV & RoHS COMPLIANT

REVISED EC NO: JTR2016-0083 DRWN: SHSHIBATA 2016/03/24 CHKD: HKOMATSU 2016/03/30 APPR: MAYAMAMOTO 2016/03/30	DESCRIPTION REV	QUALITY SYMBOLS	GENERAL TOLERANCES (UNLESS SPECIFIED)		DIMENSION STYLE	SCALE	DESIGN UNITS	THIRD ANGLE PROJECTION			
			mm	INCH	MM ONLY	1:1	METRIC				
		$\nabla_{\sqrt{A}}=0$	4 PLACES	\pm ---	\pm ---	DRAWN BY	DATE	TITLE			
		$\nabla_{\sqrt{C}}=0$	3 PLACES	\pm ---	\pm ---	SHSHIBATA	2014/06/24	WIRE DRESS COVER FOR COMPACTUS			
$\nabla_{\sqrt{E}}=0$	2 PLACES	\pm ---	\pm ---	CHKD BY	DATE						
	1 PLACE	\pm ---	\pm ---	HKOMATSU	2014/06/24	molex					
	0 PLACE	\pm ---	\pm ---	APPROVED BY	DATE						
				MAYAMAMOTO	2015/11/12	SD-560190-001					
				MATERIAL NO.						DOCUMENT NO.	
ANGULAR \pm ---°			DRAFT WHERE APPLICABLE MUST REMAIN WITHIN DIMENSIONS		SIZE	THIS DRAWING CONTAINS INFORMATION THAT IS PROPRIETARY TO MOLEX INCORPORATED AND SHOULD NOT BE USED WITHOUT WRITTEN PERMISSION					
					A3						

9 8 7 6 5 4 3 2 1