

OptiMOS™3 Power-Transistor
Features

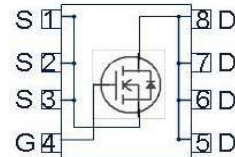
- Ideal for high frequency switching and sync. rec.
- Optimized technology for DC/DC converters
- Excellent gate charge x $R_{DS(on)}$ product (FOM)
- Very low on-resistance $R_{DS(on)}$
- N-channel, logic level
- 100% avalanche tested
- Pb-free plating; RoHS compliant
- Qualified according to JEDEC¹⁾ for target applications

Product Summary

V_{DS}	60	V
$R_{DS(on),max}$	6.7	m Ω
I_D	20	A



Type	BSZ067N06LS3 G
Package	PG-TSDSON-8
Marking	067N06L


Maximum ratings, at $T_j=25\text{ }^\circ\text{C}$, unless otherwise specified

Parameter	Symbol	Conditions	Value	Unit
Continuous drain current	I_D	$V_{GS}=10\text{ V}, T_C=25\text{ }^\circ\text{C}$	20	A
		$V_{GS}=10\text{ V}, T_C=100\text{ }^\circ\text{C}$	20	
		$V_{GS}=4.5\text{ V}, T_C=25\text{ }^\circ\text{C}$	20	
		$V_{GS}=4.5\text{ V}, T_C=100\text{ }^\circ\text{C}$	20	
		$V_{GS}=10\text{ V}, T_A=25\text{ }^\circ\text{C}, R_{thJA}=60\text{ K/W}^{2)}$	14	
Pulsed drain current ³⁾	$I_{D,pulse}$	$T_C=25\text{ }^\circ\text{C}$	80	
Avalanche energy, single pulse ⁴⁾	E_{AS}	$I_D=20\text{ A}, R_{GS}=25\text{ }\Omega$	118	mJ
Gate source voltage	V_{GS}		± 20	V

¹⁾ J-STD20 and JESD22

²⁾ Device on 40 mm x 40 mm x 1.5 mm epoxy PCB FR4 with 6 cm² (one layer, 70 μm thick) copper area for drain connection. PCB is vertical in still air.

³⁾ See figure 3 for more detailed information

⁴⁾ See figure 13 for more detailed information

Maximum ratings, at $T_j=25\text{ °C}$, unless otherwise specified

Parameter	Symbol	Conditions	Value	Unit
Power dissipation	P_{tot}	$T_C=25\text{ °C}$	78	W
		$T_A=25\text{ °C}$, $R_{\text{thJA}}=60\text{ K/W}^2$	2.1	
Operating and storage temperature	T_j, T_{stg}		-55 ... 150	°C
IEC climatic category; DIN IEC 68-1			55/150/56	

Parameter	Symbol	Conditions	Values			Unit
			min.	typ.	max.	

Thermal characteristics

Parameter	Symbol	Conditions	min.	typ.	max.	Unit
Thermal resistance, junction - case	R_{thJC}		-	-	1.6	K/W
Device on PCB	R_{thJA}	minimal footprint	-	-	62	K/W
		6 cm^2 cooling area ²⁾	-	-	60	

Electrical characteristics, at $T_j=25\text{ °C}$, unless otherwise specified
Static characteristics

Parameter	Symbol	Conditions	min.	typ.	max.	Unit
Drain-source breakdown voltage	$V_{(\text{BR})\text{DSS}}$	$V_{\text{GS}}=0\text{ V}, I_{\text{D}}=1\text{ mA}$	60	-	-	V
Gate threshold voltage	$V_{\text{GS(th)}}$	$V_{\text{DS}}=V_{\text{GS}}, I_{\text{D}}=35\text{ }\mu\text{A}$	1.2	1.7	2.2	
Zero gate voltage drain current	I_{DSS}	$V_{\text{DS}}=60\text{ V}, V_{\text{GS}}=0\text{ V}, T_j=25\text{ °C}$	-	0.1	1	μA
		$V_{\text{DS}}=60\text{ V}, V_{\text{GS}}=0\text{ V}, T_j=125\text{ °C}$	-	10	100	
Gate-source leakage current	I_{GSS}	$V_{\text{GS}}=20\text{ V}, V_{\text{DS}}=0\text{ V}$	-	10	100	nA
Drain-source on-state resistance	$R_{\text{DS(on)}}$	$V_{\text{GS}}=4.5\text{ V}, I_{\text{D}}=20\text{ A}$	-	8.1	12.1	m Ω
		$V_{\text{GS}}=10\text{ V}, I_{\text{D}}=20\text{ A}$	-	5.6	6.7	
Gate resistance	R_{G}		-	1.3	-	Ω
Transconductance	g_{fs}	$ V_{\text{DS}} >2 V_{\text{D}} , R_{\text{DS(on)max}}, I_{\text{D}}=20\text{ A}$	25	50	-	S

Parameter	Symbol	Conditions	Values			Unit
			min.	typ.	max.	

Dynamic characteristics

Input capacitance	C_{iss}	$V_{GS}=0\text{ V}, V_{DS}=30\text{ V},$ $f=1\text{ MHz}$	-	3600	4800	pF
Output capacitance	C_{oss}		-	660	880	
Reverse transfer capacitance	C_{rss}		-	24	-	
Turn-on delay time	$t_{d(on)}$	$V_{DD}=30\text{ V}, V_{GS}=10\text{ V},$ $I_D=20\text{ A}, R_G=2\ \Omega$	-	15	-	ns
Rise time	t_r		-	26	-	
Turn-off delay time	$t_{d(off)}$		-	37	-	
Fall time	t_f		-	7	-	

Gate Charge Characteristics⁵⁾

Gate to source charge	Q_{gs}	$V_{DD}=30\text{ V}, I_D=20\text{ A},$ $V_{GS}=0\text{ to }4.5\text{ V}$	-	11	-	nC
Gate charge at threshold	$Q_{g(th)}$		-	6	-	
Gate to drain charge	Q_{gd}		-	3	-	
Switching charge	Q_{sw}		-	8	-	
Gate charge total	Q_g		-	21	28	
Gate plateau voltage	$V_{plateau}$		-	3.1	-	
Gate charge total	Q_g	$V_{DD}=30\text{ V}, I_D=20\text{ A},$ $V_{GS}=0\text{ to }10\text{ V}$	-	47	62	nC
Output charge	Q_{oss}	$V_{DD}=30\text{ V}, V_{GS}=0\text{ V}$	-	30	40	

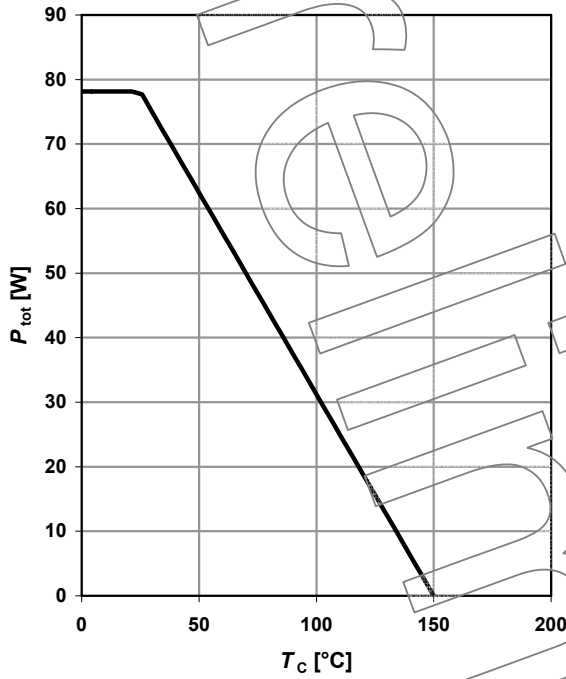
Reverse Diode

Diode continuous forward current	I_S	$T_C=25\text{ }^\circ\text{C}$	-	-	20	A
Diode pulse current	$I_{S,pulse}$		-	-	80	
Diode forward voltage	V_{SD}	$V_{GS}=0\text{ V}, I_F=20\text{ A},$ $T_j=25\text{ }^\circ\text{C}$	-	0.8	1.2	V
Reverse recovery time	t_{rr}	$V_R=30\text{ V}, I_F=20\text{ A},$ $di_F/dt=100\text{ A}/\mu\text{s}$	-	40	-	ns
Reverse recovery charge	Q_{rr}		-	39	-	nC

⁵⁾ See figure 16 for gate charge parameter definition

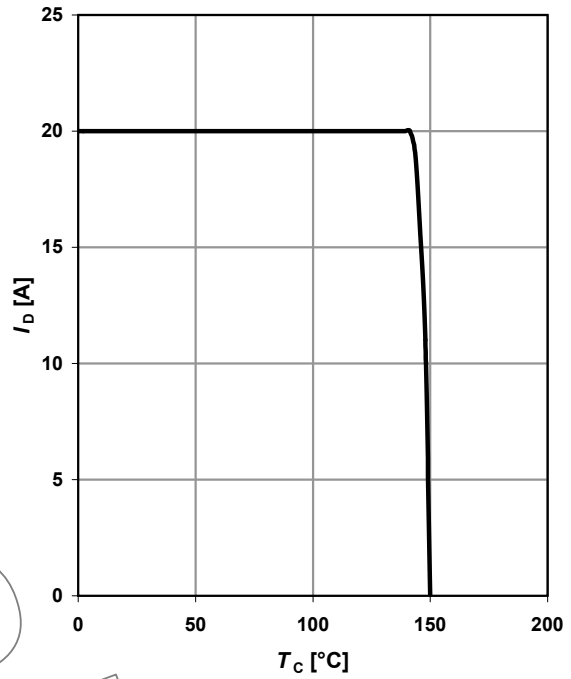
1 Power dissipation

$P_{tot} = f(T_C)$



2 Drain current

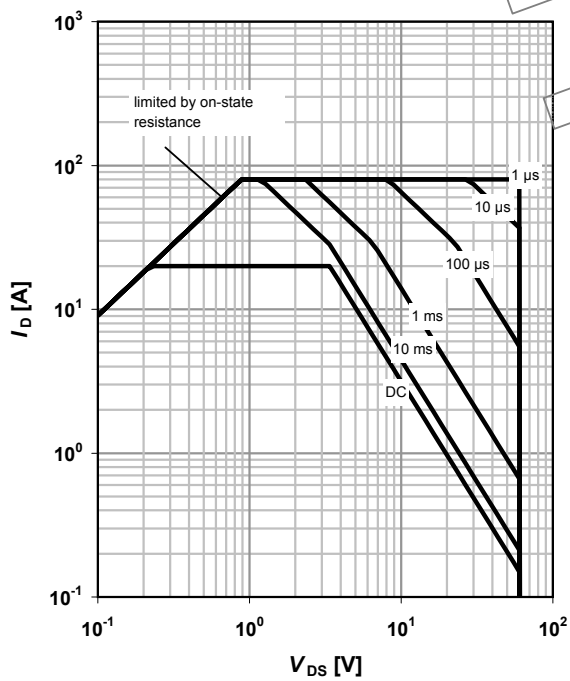
$I_D = f(T_C); V_{GS} \geq 10 \text{ V}$



3 Safe operating area

$I_D = f(V_{DS}); T_C = 25 \text{ °C}; D = 0$

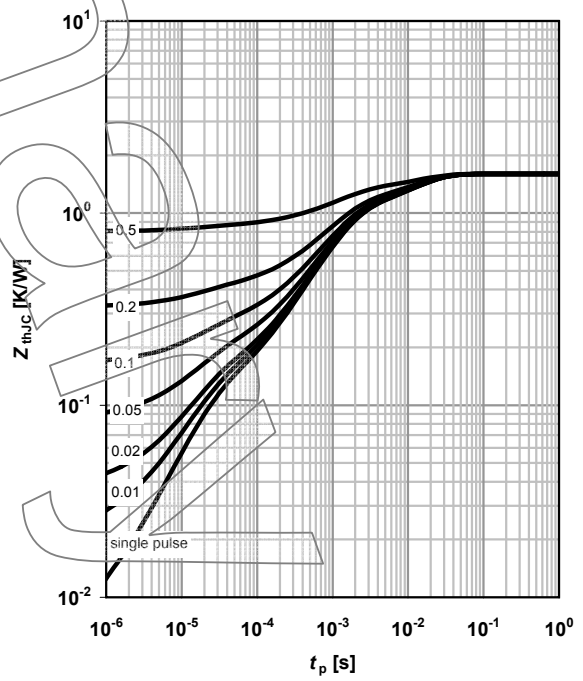
parameter: t_p



4 Max. transient thermal impedance

$Z_{thJC} = f(t_p)$

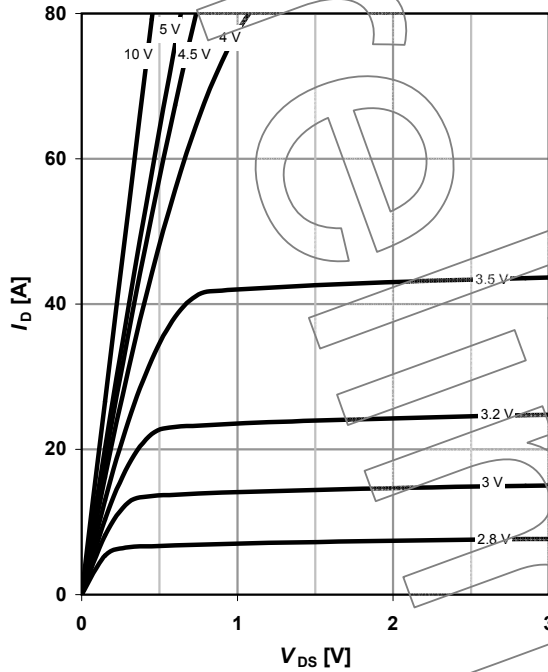
parameter: $D = t_p / T$



5 Typ. output characteristics

$I_D = f(V_{DS}); T_j = 25\text{ }^\circ\text{C}$

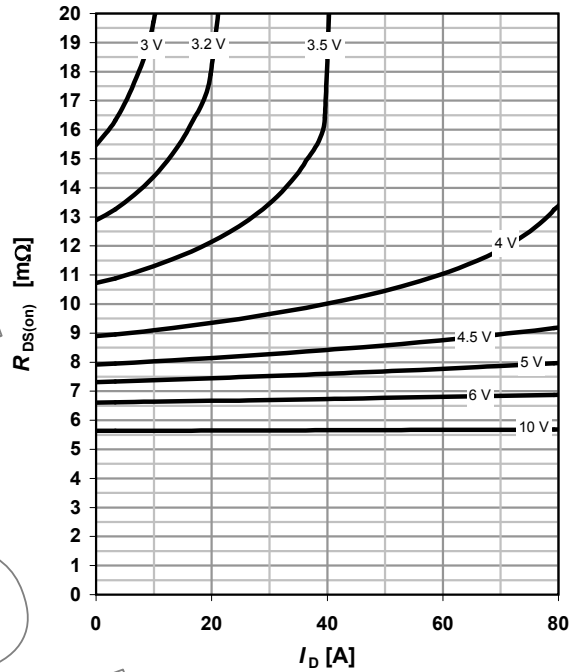
parameter: V_{GS}



6 Typ. drain-source on resistance

$R_{DS(on)} = f(I_D); T_j = 25\text{ }^\circ\text{C}$

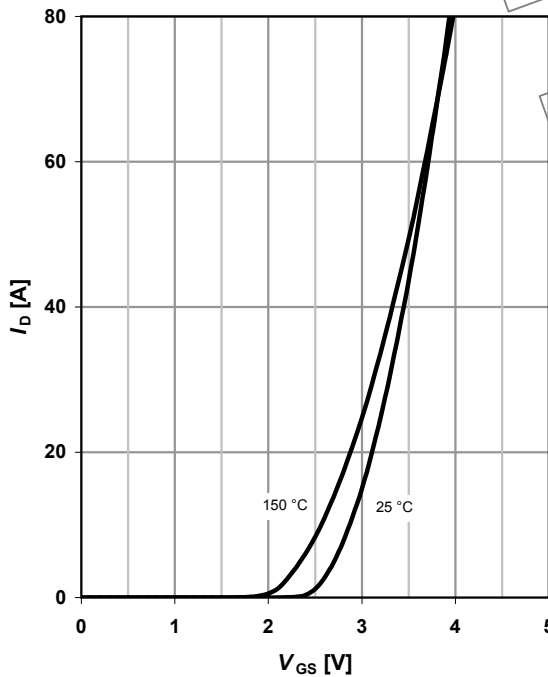
parameter: V_{GS}



7 Typ. transfer characteristics

$I_D = f(V_{GS}); |V_{DS}| > 2|I_D|R_{DS(on)max}$

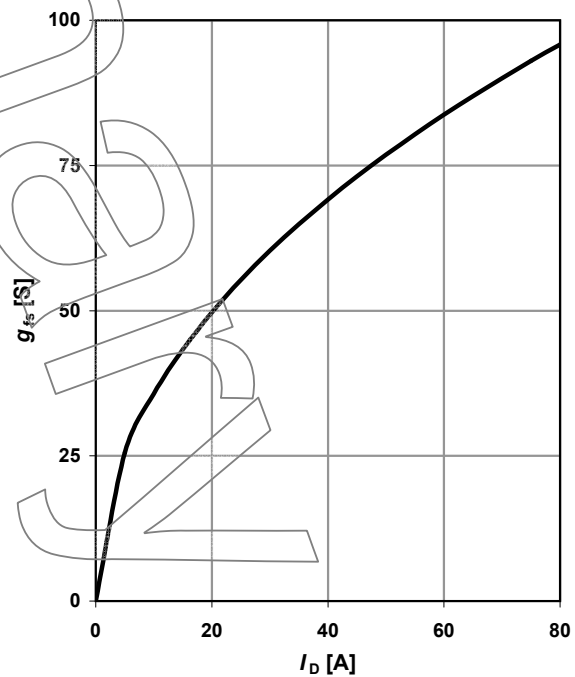
parameter: T_j



8 Typ. forward transconductance

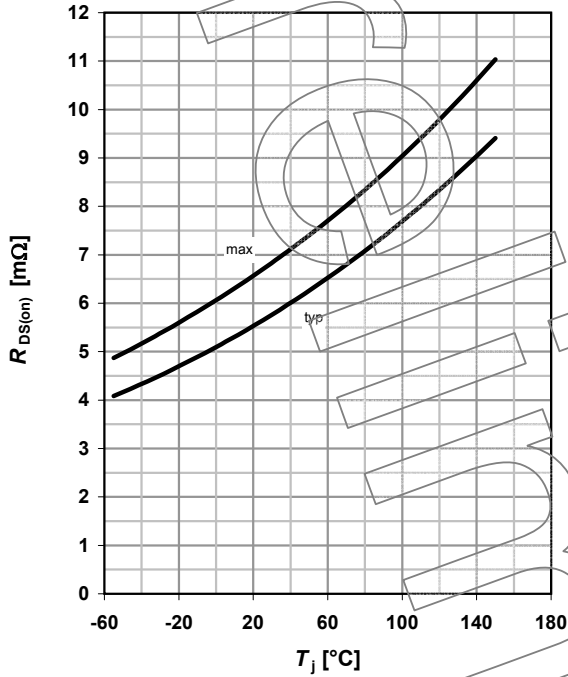
$g_{fs} = f(I_D); T_j = 25\text{ }^\circ\text{C}$

parameter: V_{GS}



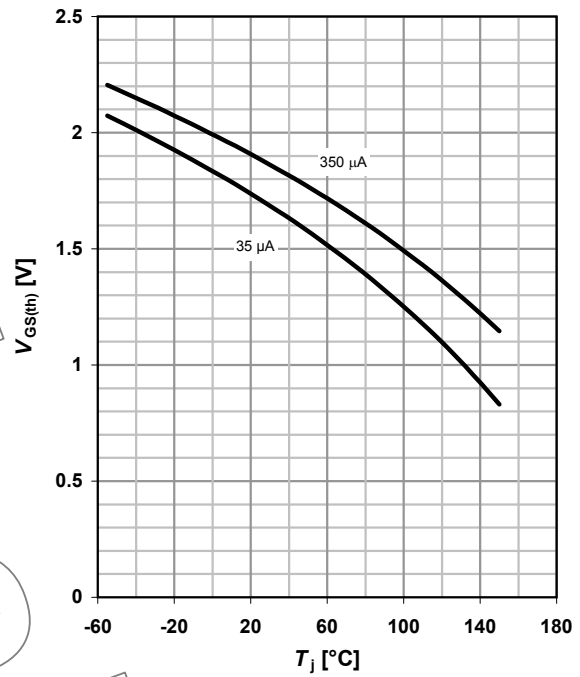
9 Drain-source on-state resistance

$R_{DS(on)} = f(T_j); I_D = 20 \text{ A}; V_{GS} = 10 \text{ V}$



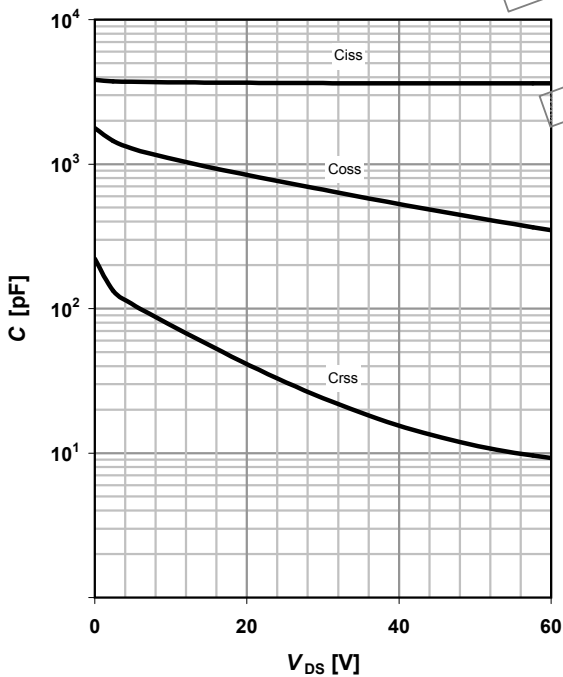
10 Typ. gate threshold voltage

$V_{GS(th)} = f(T_j); V_{GS} = V_{DS}; I_D = 100 \mu\text{A}$



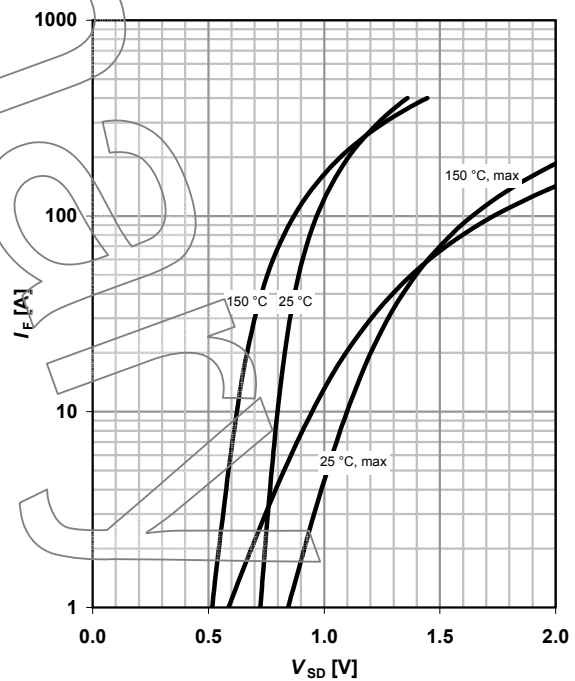
11 Typ. capacitances

$C = f(V_{DS}); V_{GS} = 0 \text{ V}; f = 1 \text{ MHz}$



12 Forward characteristics of reverse diode

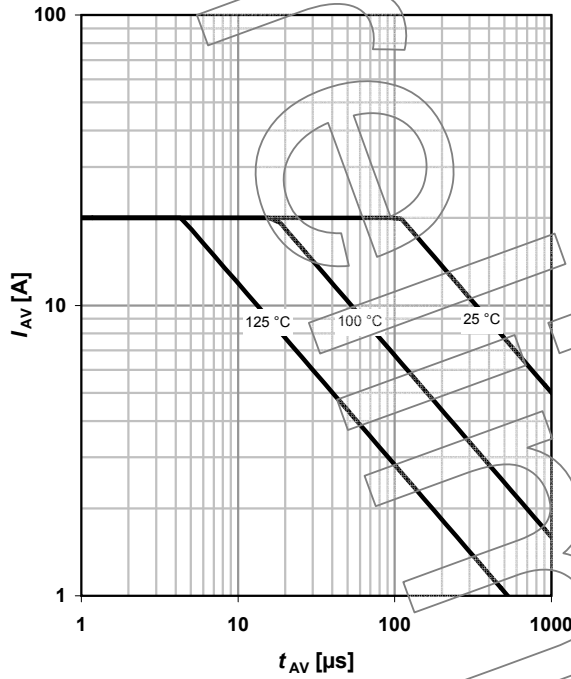
$I_F = f(V_{SD})$
parameter: T_j



13 Avalanche characteristics

$I_{AS}=f(t_{AV}); R_{GS}=25\ \Omega$

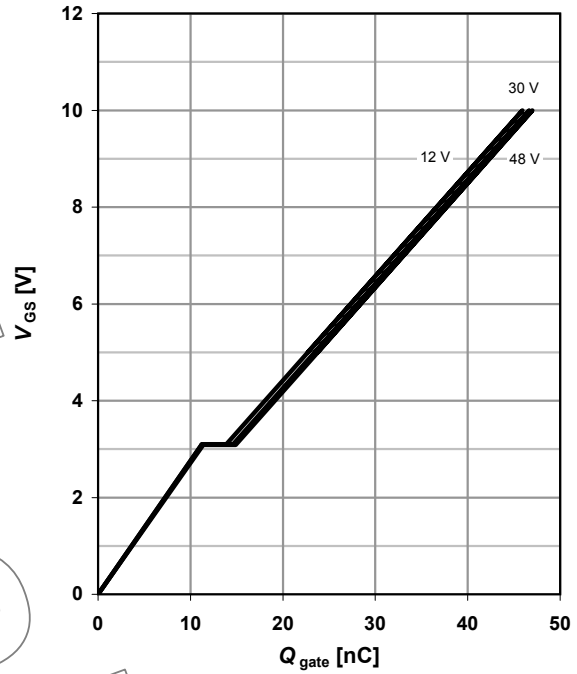
parameter: $T_{j(start)}$



14 Typ. gate charge

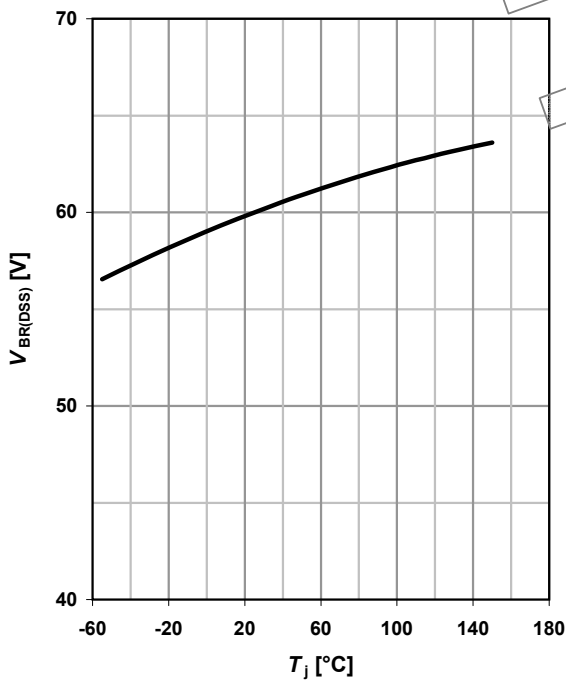
$V_{GS}=f(Q_{gate}); I_D=20\ \text{A pulsed}$

parameter: V_{DD}

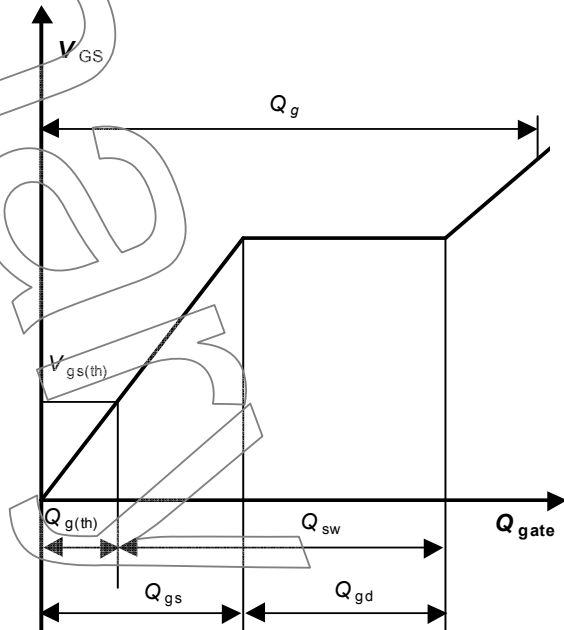


15 Drain-source breakdown voltage

$V_{BR(DSS)}=f(T_j); I_D=1\ \text{mA}$

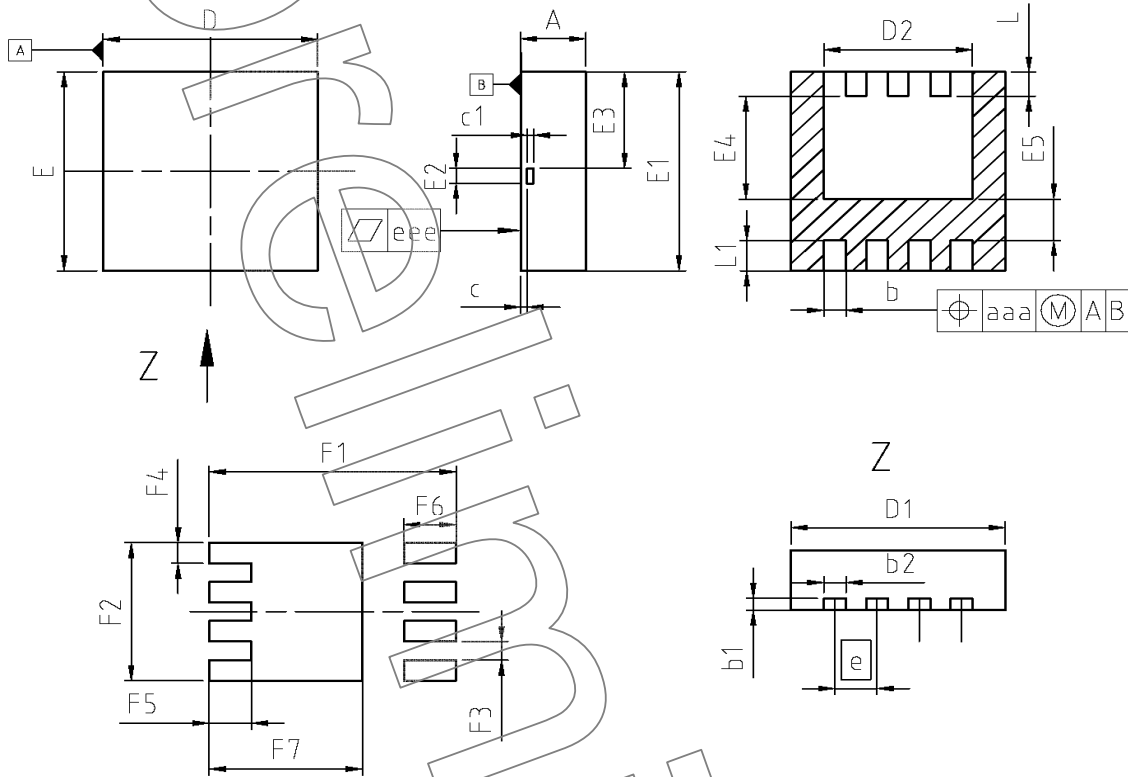


16 Gate charge waveforms



Package Outline

PG-TSDSON-8



DIM	MILLIMETERS		INCHES	
	MIN	MAX	MIN	MAX
A	0.95	1.00	0.037	0.039
b	0.25	0.35	0.010	0.014
b1	0.10	0.30	0.004	0.012
b2	0.20	0.40	0.008	0.016
c	0.00	0.20	0.000	0.008
D=D1	3.20	3.40	0.126	0.134
D2	2.15	2.35	0.085	0.093
E=E1	3.20	3.40	0.126	0.134
E2	0.10	0.30	0.004	0.012
E3	1.35	1.55	0.053	0.061
E4	1.60	1.80	0.063	0.071
E5	0.66	0.86	0.026	0.034
e	0.60	0.70	0.024	0.028
N	8		8	
L	0.31	0.51	0.012	0.020
L1	0.33	0.53	0.013	0.021
aaa	0.25		0.010	
eee	0.05		0.002	
F1	3.70	3.90	0.146	0.154
F2	2.19	2.39	0.086	0.094
F3	0.21	0.41	0.008	0.016
F4	0.24	0.44	0.009	0.017
F5	0.55	0.75	0.022	0.030
F6	0.70	0.90	0.028	0.035
F7	2.26	2.46	0.089	0.097

DOCUMENT NO.
Z8B00131645

SCALE

EUROPEAN PROJECTION

ISSUE DATE
09-03-2007

REVISION
01

Published by
Infineon Technologies AG
81726 Munich, Germany
© 2008 Infineon Technologies AG
All Rights Reserved.

Legal Disclaimer

The information given in this document shall in no event be regarded as a guarantee of conditions or characteristics. With respect to any examples or hints given herein, any typical values stated herein and/or any information regarding the application of the device, Infineon Technologies hereby disclaims any and all warranties and liabilities of any kind, including without limitation, warranties of non-infringement of intellectual property rights of any third party.

Information

For further information on technology, delivery terms and conditions and prices, please contact the nearest Infineon Technologies Office (www.infineon.com).

Warnings

Due to technical requirements, components may contain dangerous substances. For information on the types in question, please contact the nearest Infineon Technologies Office. Infineon Technologies components may be used in life-support devices or systems only with the express written approval of Infineon Technologies, if a failure of such components can reasonably be expected to cause the failure of that life-support device or system or to affect the safety or effectiveness of that device or system. Life support devices or systems are intended to be implanted in the human body or to support and/or maintain and sustain and/or protect human life. If they fail, it is reasonable to assume that the health of the user or other persons may be endangered.