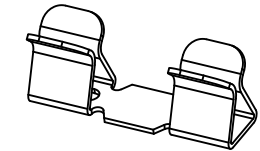
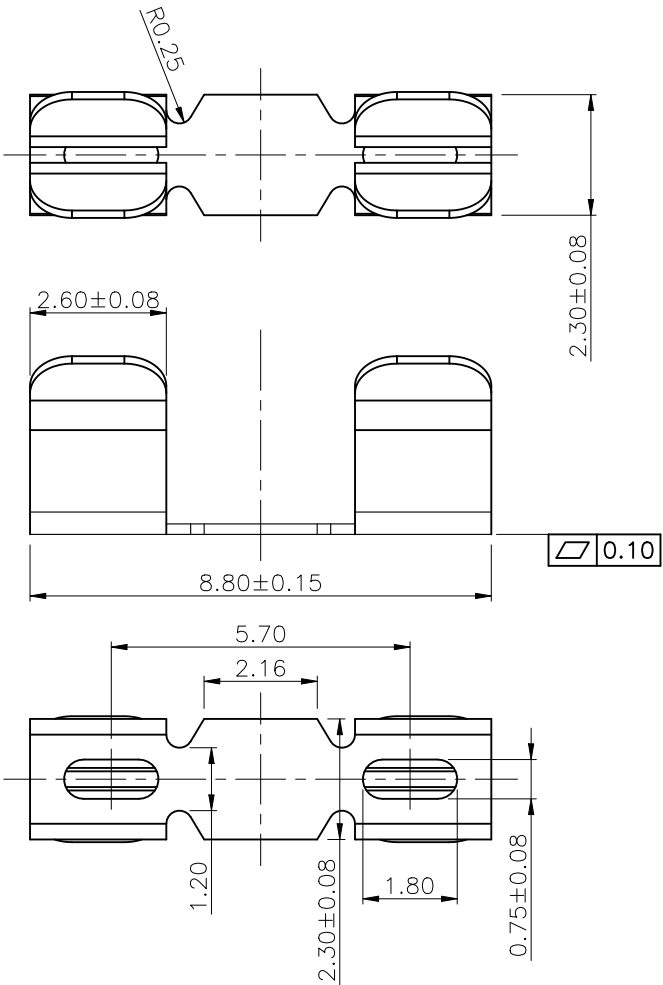


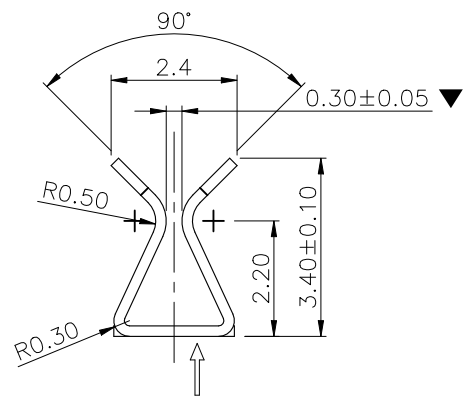
This document is the property of and embodies CONFIDENTIAL and PROPRIETARY information of AORORA. No part of the information shown on this document may be used in any way or disclosed to others without the written consent of AORORA. © 2019 AORORA



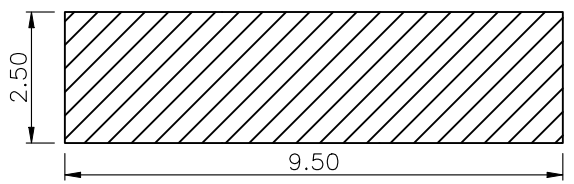
REV.	ECR/ECN No.	DESCRIPTION	DRAWN/DATE	CHECKED/DATE	APPROVED/DATE
C	ECN2022152	UPDATE FRAME	Abner 2022-09-28	Staven 2022-09-28	Sam 2022-09-28



3D VIEW



PUNCH DIRECTION & BURRS DIRECTION



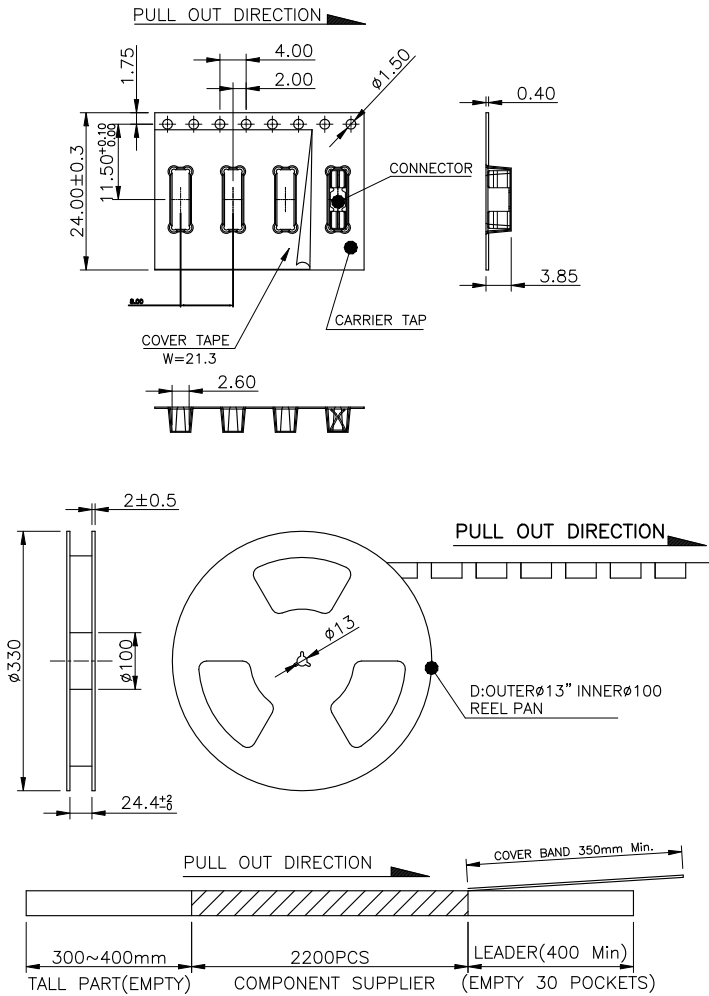
RECOMMEND PCB LAYOUT
TOLERANCE: ±0.05mm

NOTES:

- MATERIAL: PHOSPHOR BRONZE;
- FINISH: GOLD FLASH SURFACE PLATING OVER SOLDER AREA, Ni 40-120u" UNDER PLATING OVER ALL.
- ALL MATERIAL MUST BE COMPLY WITH RoHS2.0;
- WITH "▼" MUST BE CPK CONTROL.

UNLESS OTHERWISE SPECIFIED TOLERANCES				ANGLE OF PROJECTION		Amphenol AORORA		
X.	±0.30	X. °	± 5'			Amphenol Aorora Technology (Huizhou) Co.,Ltd TITLE: H3.4 CLIP		
X.X	±0.25	X.X °	± 4'					
X.XX	±0.20	X.XX °	± 3'	Customer Drw		PART NUMBER: Z00U-4B7C1-11000 REV. C		
X.XXX	±0.15	X.XXX °	± 2'	DRAWN	DATE			Deming Li 2016-02-17
LINEAR DIMS		ANGLES DIMS		DESIGN	DATE	Deming Li 2016-02-17	SIZE	A4
DWG NO.: A-S0310				CHECKED	DATE	Qi Han 2016-02-17		
MATERIAL		SEE NOTES		APPROVED	DATE	Hongkui Liu 2016-02-17	SCALE	1:1
FINISHED		SEE NOTES				UNIT : mm		SHEET 1 OF 1

1. PACKING INTO REEL:



NOTES:

1. MATERIAL:
 - 1.1 CARRY TAPE:PS,T=0.4mm,COLOR:TRANSPARENT.
 - 1.2 REEL:HIPS,BLUE.
 - 1.3 SHIM:PE,CLEAR.
2. PRIMARY PACKING:2200PCS/REEL.
3. SECONDARY PACKING:10REELS/CARTON(22000PCS/CARTON).
4. PEELING RESISTANCE: 0.1N~0.9N(10~90gf);
PEELING ANGLE: 165°~180°;
PEELING SPEED: 300mm/minutes.
5. NET WEIGHT: 0.093g
6. CATON GROSS WEIGHT: 7.4Kg, NET WEIGHT: 2.05Kg

2

2. PACKING INTO CARTON:

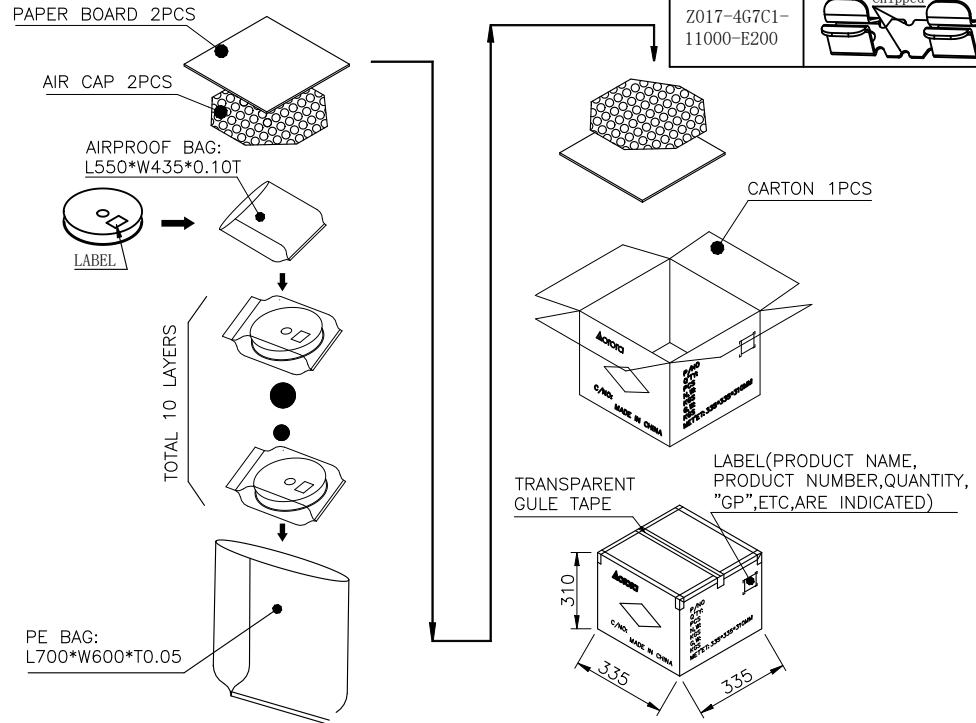


TABLE:

NO.	Sketch Map	Difference
Z002-4B7C1-11000		H3.4 Gap0.1mm
Z00U-4B7C1-11000		H3.4 Gap0.3mm
Z017-4G7C1-11000-E200		H3.4 Gap0.3mm Chipped

REV.	ECR/ECN No.	DESCRIPTION	DRAWN/DATE	CHECKED/DATE	APPROVED/DATE
C		New specifications	Staven 2019-03-04	Peng Li 2019-03-04	Judy 2019-03-04
D		UPDATE FRAME	Abner 2022-05-24	Staven 2022-05-24	Sam 2022-05-24

UNLESS OTHERWISE SPECIFIED TOLERANCES				ANGLE OF PROJECTION		Amphenol AORORA	
X.	±0.30	X. °	± 5'			Amphenol Aorora Technology (Huizhou) Co.,Ltd	
X.X	±0.25	X.X °	± 4'				
X.XX	±0.20	X.XX °	± 3'	DOC Typ Assembly Drw		TITLE: H3.4 CLIP	
X.XXX	±0.15	X.XXX °	± 2'	DRAWN	Abner	SIZE A4	PART NUMBER: SEE TABLE
LINEAR DIMS		ANGLES DIMS		DATE	2022-05-24		
DWG NO.: A-H0167		DESIGN		DATE	2022-05-24		
MATERIAL SEE NOTES		CHECKED		DATE	2022-05-24		
FINISHED SEE NOTES		APPROVED		DATE	2022-05-24	REV. D	SHEET 1 OF 1

1

2

3

4