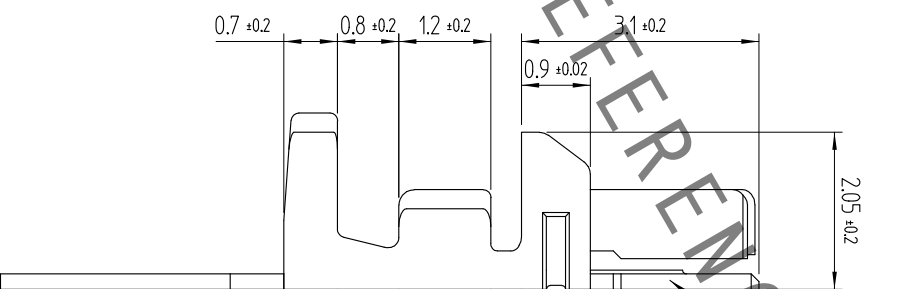
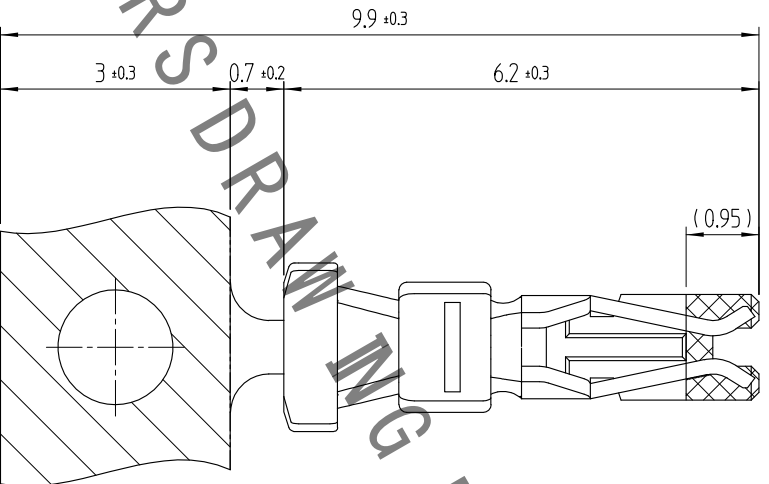
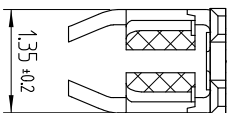


△數 COUNT	訂正事項 DESCRIPTION OF REVISIONS	擔當 BY	檢圖 CHKD	年月日 DATE	△數 COUNT	訂正事項 DESCRIPTION OF REVISIONS	擔當 BY	檢圖 CHKD	年月日 DATE
△				..	△				..
△				..	△				..
△				..	△				..



①

NOTE1. ONE REEL HAS 10,000 PIECES OF CONTACTS.

NO.	MATERIAL	FINISH. REMARKS
1	PHOSPHOR BRONZE	CONTACT : GOLD PLATING 0.2 μ m MIN CARRIER : TIN PLATING 1 μ m MIN OVER NICKEL 0.5 μ m MIN

NO.	MATERIAL	FINISH. REMARKS	NO.	MATERIAL	FINISH. REMARKS
CODE NO. (OLD)			DRAWN	CHOI 17.12.22 J.S	
			DESIGNED	CHOI 17.12.22 J.S	
			CHECKED	LIM 17.12.22 S.M	
			APPROVED	KANG 17.12.22 T.S	
			RELEASED	ENG 20.02.20 DEPT	

SCALE 10:1	DRAWING NO. EDC4-611495	PART NO. DF51K-2428SCFA(800)	CODE NO 6652-0042-9-800	1/1
UNITS MM	HRS HIROSE KOREA CO.,LTD.			

HRS DRAWING FOR REFERENCE