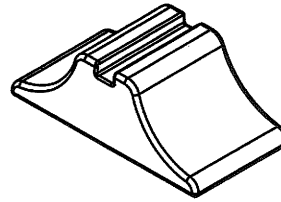
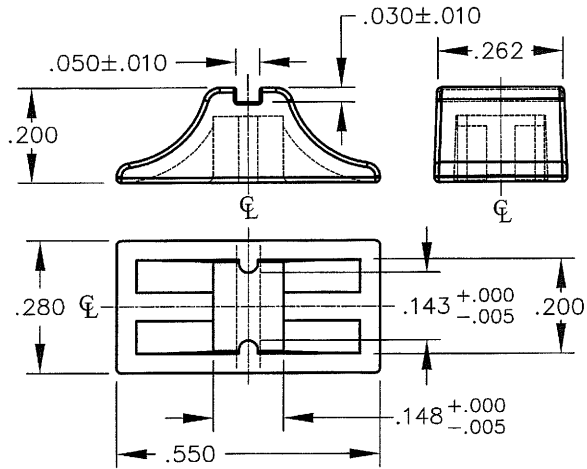


DIMENSIONS IN INCHES (MILLIMETERS)  
DO NOT SCALE DRAWING .....

Dwg. No.

G-02-353-001



**Material:**

Nylon 6/6

**Color:**

Black BK-000

(For More Detailed Spec's Ref. Dwg. G-02-353)

1 2 3 4 5 6 7 8 9 10

B-FORMAT 2002  
REVISIONS  
0  
RELEASED  
DGW 8-05-2008  
AUG 13 2008

**CW INDUSTRIES**  
Southampton, Pa. 18966

TOLERANCES UNLESS OTHERWISE SPECIFIED  
3 Place Decimal ±.015 METRIC  
Angles ..... ±1' 2 Place Dec. ±.38mm

PDF FILE MADE  
Made for: CW IND.  
Drawn by: DGW 8-05-2008  
Checked by: G. Guld 8-15-08  
Approval: G. Guld 8-15-08

Title: G-107  
SWITCH  
BUTTON  
TOPPER

Division: SWITCH  
Dwg. No. G-02-353-001

MASTER