

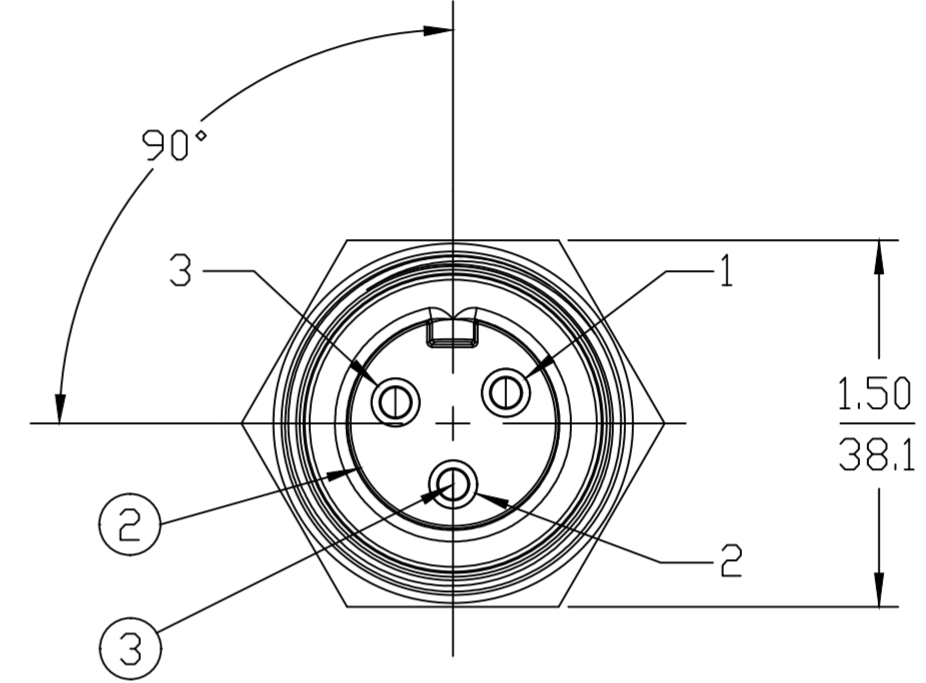
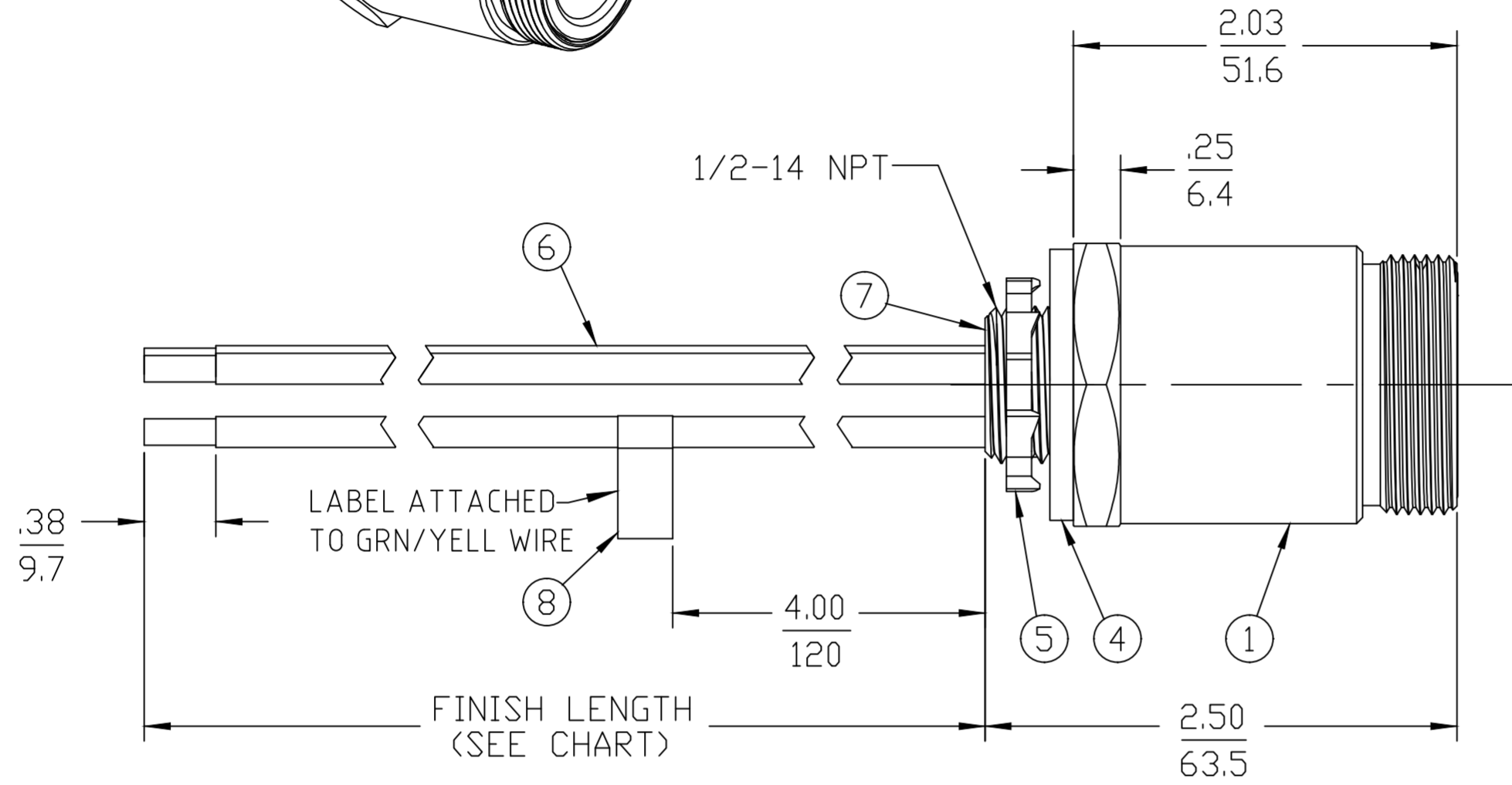
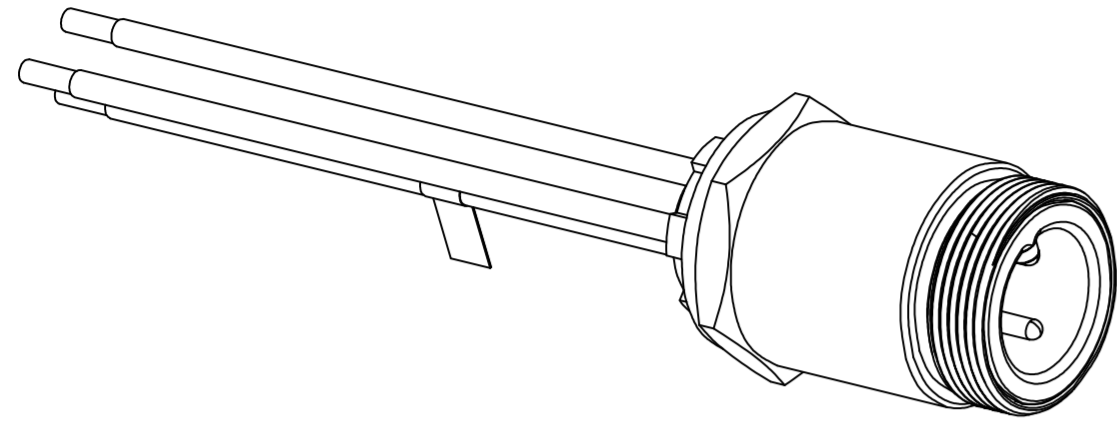
MATERIAL NUMBER	OLD PART NUMBER	FINISH LENGTH
1300660255	CR3006A30M005	1.64' [0.5M]
1300660119	CR3006A30M010	3.28' [1.0M]
1300660121	CR3006A30M020	6.56' [2.0M]

**PART NUMBER LEGEND**  
**CR3006A30M005**

**LENGTH**  
M005 = 0.5 METER  
M010 = 1 METER  
M100 = 10 METER

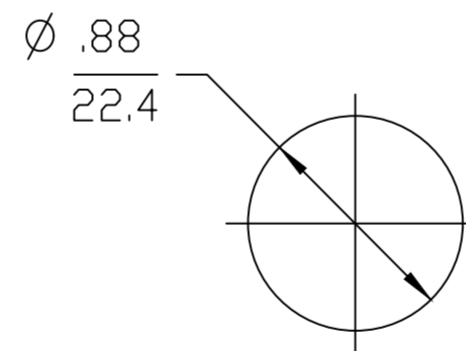
**CABLE LENGTH TOLERANCES**

>.3M [1FT]:	+19mm-0 [+0.75in-0]
.3 - .9M [1 - 3FT]:	+44.5mm-0 [+1.75in-0]
.9 - 1.8M [3 - 6FT]:	+55.6mm-0 [+2.19in-0]
1.8 - 3.7M [6 - 12FT]:	+88.9mm-0 [+3.50in-0]
3.7 - 7.3M [12 - 24FT]:	+165.1mm-0 [+6.50in-0]
7.3-14.6M [24 - 48FT]:	+317.5mm-0 [+12.50in-0]
14.6 - 30.5M [48-100FT]:	+622.3mm-0 [+24.50in-0]
OVER 30M [100FT]	+2% OF FINISHED LENGTH

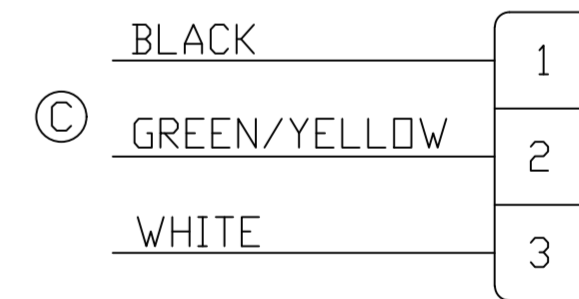


**NOTES:**

- MATERIAL: AS NOTED
- FINISH: AS NOTED
- ELECTRICAL:  
VOLTAGE: 3P: 630V PER IEC60664  
600V PER UL2237  
CURRENT: 32A
- TEMP RATING: -20°TO +90°C
- PROTECTION: IP67 (WHEN MATED)
- COUPLING THREAD: 1 3/8-16UN
- UL LISTED FILE: E258922
- ALL DIMS ARE FOR REFERENCE UNLESS NOTED OR DIMENSIONED OTHERWISE



TYPICAL KNOCKOUT



WIRING DIAGRAM

8	FLAG LABEL	VINYL	YELLOW
7	POTTING	EPOXY	BLACK
6	WIRE, 10 AWG UL 1015	PVC JACKET	SEE WIRING DIAGRAM
5	LOCKNUT	STEEL	ZINC PLATED
4	GASKET	NEOPRENE	BLACK
3	PIN CONTACT	COPPER ALLOY	GOLD PLATED
2	MALE INSERT, 3 POLE	TPE (C)	BLACK
1	RECEPTACLE SHELL	ALUMINUM	CLEAR ANODIZED
ITEM	DESCRIPTION	MATERIAL	FINISH

REF. THIS DRAWING SUPERSEDES CO-CREATE DOC REV. A

THIS DRAWING CONTAINS INFORMATION THAT IS PROPRIETARY TO MOLEX ELECTRONIC TECHNOLOGIES, LLC AND SHOULD NOT BE USED WITHOUT WRITTEN PERMISSION									
SYMBOLS		DIMENSION UNITS		SCALE		CURRENT REV DESC: GREEN YELLOW WIRE WAS GREEN, UPDATED BORDER			
▽ = 0	▽ = 0	INCH/MM		1:1		<b>molex</b> BRAD POWER RECEPTACLE 3 POLE, MALE, 1/2 NPT, SINGLE KEY, 10 AWG			
▽ = 0	▽ = 0	GENERAL TOLERANCES (UNLESS SPECIFIED)							
▽ = 0	▽ = 0	mm		INCH		EC NO: 626034 DRWN: RSTONE 2019/10/18 CHK'D: MZIELINSKI 2020/01/10 APPR: BWOODMAN 2020/01/21			
▽ = 0	▽ = 0	4 PLACES ±----		±----					
▽ = 0	▽ = 0	3 PLACES ±----		±----		INITIAL REVISION: DRWN: CLYORK 2010/01/19 APPR: DTITUS 2010/01/20			
▽ = 0	▽ = 0	2 PLACES ±----		±----					
▽ = 0	▽ = 0	1 PLACE ±----		±----		PRODUCT CUSTOMER DRAWING DOCUMENT NUMBER: SD-130066-058 DOC TYPE: PSD DOC PART: 001 REVISION: C			
▽ = 0	▽ = 0	0 PLACES ±----		±----					
▽ = 0	▽ = 0	ANGULAR TOL ± ---- °				MATERIAL NUMBER: GENERAL MARKET CUSTOMER: 130066 SHEET NUMBER: 1 OF 1			
▽ = 0	▽ = 0	DRAFT WHERE APPLICABLE MUST REMAIN WITHIN DIMENSIONS							
▽ = 0	▽ = 0	THIRD ANGLE PROJECTION		DRAWING					
▽ = 0	▽ = 0	C-SIZE		SERIES					