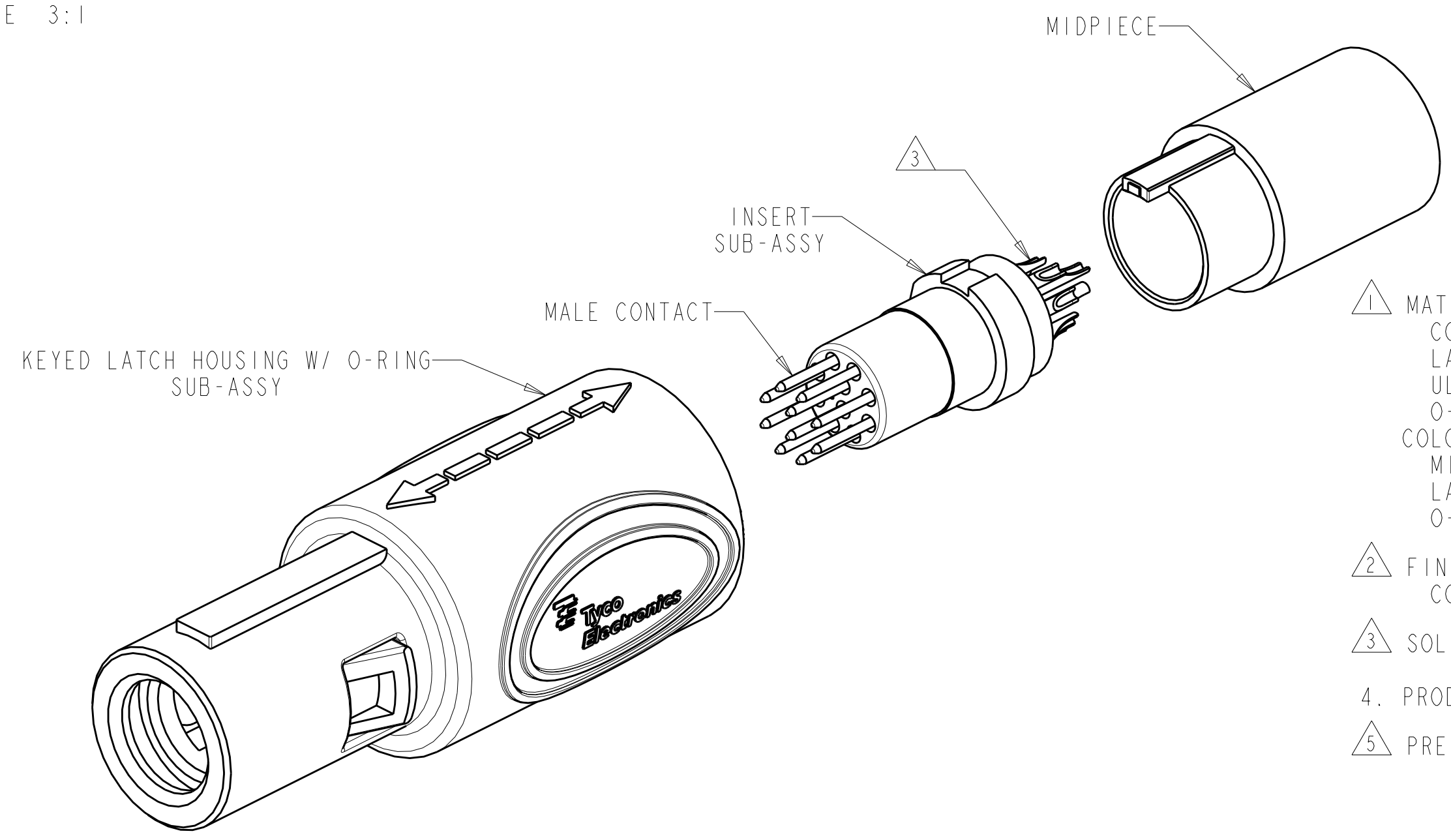
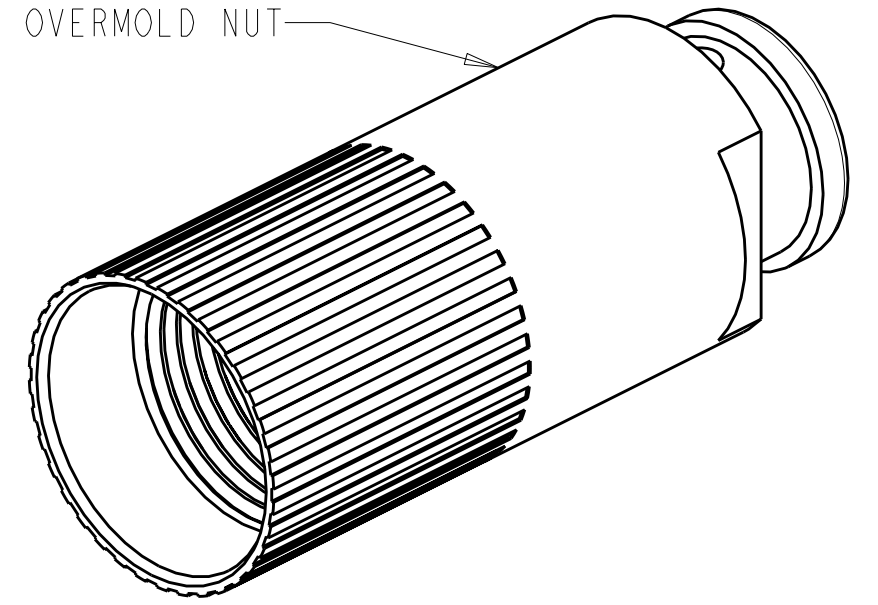
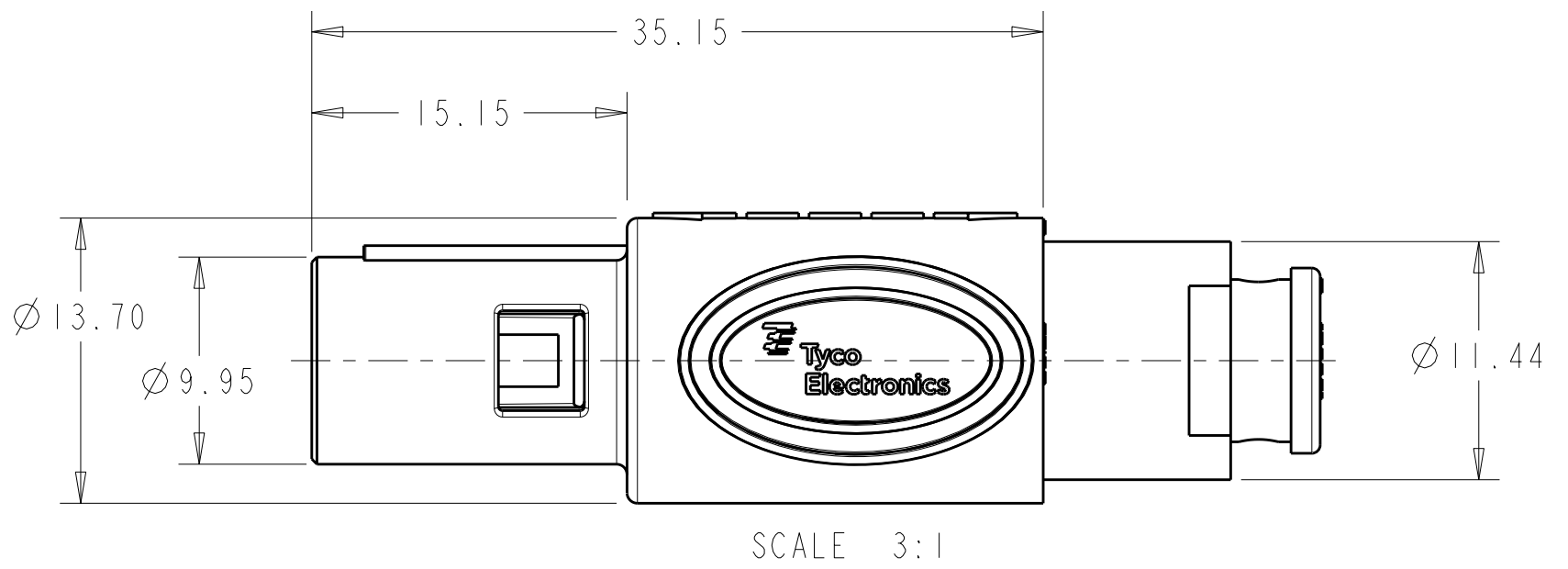
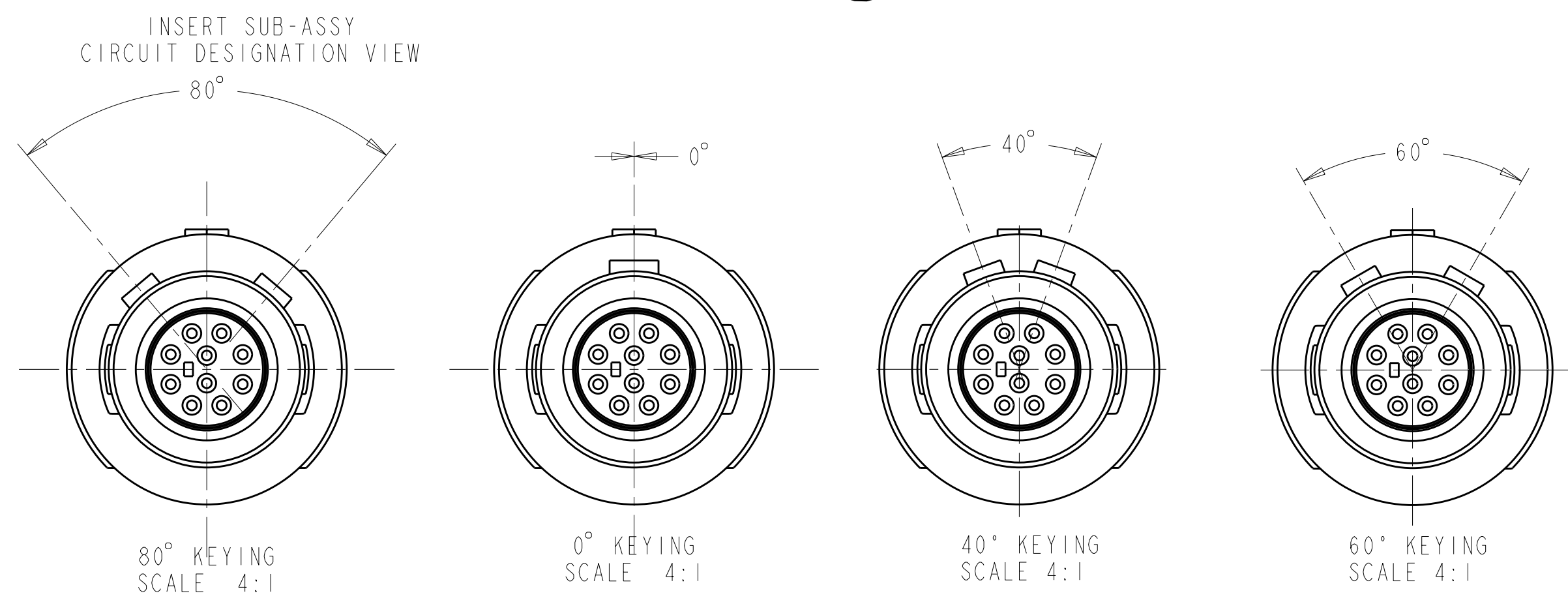
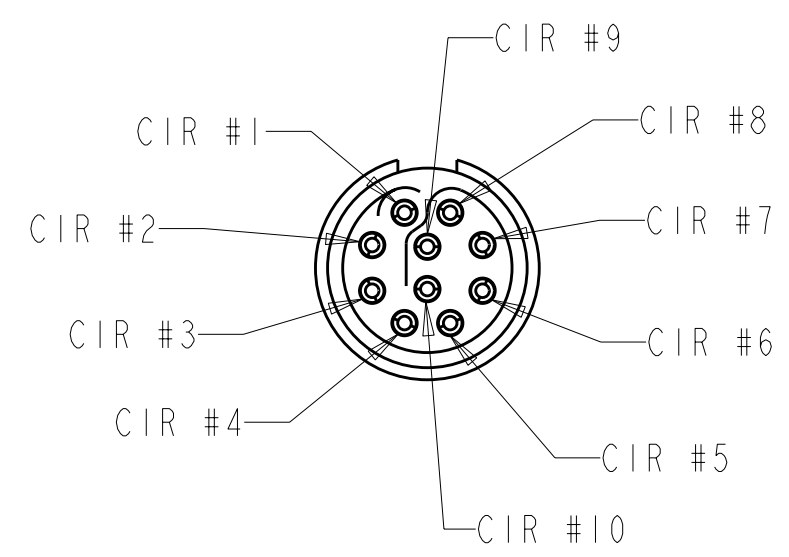


THIS DRAWING IS UNPUBLISHED. RELEASED FOR PUBLICATION 20
 © COPYRIGHT 20 BY TYCO ELECTRONICS CORPORATION. ALL RIGHTS RESERVED.

LOC	DIST	REVISIONS			
P	LTR	DESCRIPTION	DATE	DWN	APVD
B3		REVISED PER ECO-08-022187	06SEP2008	HMR	DR
B4		REVISED PER ECO-09-008097	07APR2009	MF	DR



- ① MATERIAL:
 CONTACT: BRASS
 LATCH HOUSING, INSERT, MIDPIECE, NUT: UL 94V-0 RATED THERMOPLASTIC
 O-RING: ELASTOMER
 COLOR:
 MIDPIECE AND INSERT: GRAY
 LATCH HOUSING AND OVERMOLD NUT: SEE TABLE
 O-RING: BLACK
- ② FINISH:
 CONTACT, 0.75µm MIN. GOLD OVER NICKEL
- ③ SOLDER TERMINATION CONTACT, 28 AWG WIRE MAX.
- 4. PRODUCT IS SUPPLIED UNASSEMBLED
- ⑤ PRELIMINARY PART NUMBER.



⑤	Color	Keying	Part No.
⑤	GRAY	60°	1877852-8
⑤	BLACK	60°	1877852-7
	GRAY	40°	1877852-6
	BLACK	40°	1877852-5
	GRAY	80°	1877852-4
	GRAY	0°	1877852-3
	BLACK	80°	1877852-2
	BLACK	0°	1877852-1
	LATCH HOUSING AND NUT COLOR	KEYING	PART NO.

THIS DRAWING IS A CONTROLLED DOCUMENT FOR TYCO ELECTRONICS CORPORATION. IT IS SUBJECT TO CHANGE AND THE CONTROLLING ENGINEERING ORGANIZATION SHOULD BE CONTACTED FOR THE LATEST REVISION.		DWN: K. MILLER 09MAR2006 CHK: L. BREKOSKY 09MAR2006 APVD: -	Tyco Electronics Harrisburg, PA 17105-3608
DIMENSIONS: mm TOLERANCES UNLESS OTHERWISE SPECIFIED: 0 PLC ± 1 PLC ±0.13 2 PLC ±0.08 3 PLC ± 4 PLC ± ANGLES ±1° FINISH	PRODUCT SPEC: 108-2249 APPLICATION SPEC: 114-13184 WEIGHT: -	NAME: 10 POSITION OVERMOLD CABLE NUT STRAIGHT PLUG ASSEMBLY SIZE: A2 CAGE CODE: 00779 DRAWING NO: 1877852 RESTRICTED TO: -	
MATERIAL: ① - FINISH: ② -		CUSTOMER DRAWING SCALE: 5:1 SHEET 1 OF 1 REV: B4	