

NOTES:

1. MATERIALS AND FINISHES:  
 BODY - BRASS, NICKEL PLATING  
 CONTACT PIN - PHOSPHOR BRONZE, GOLD PLATING  
 INSULATOR - PTFE, NATURAL  
 LOCK RING - BRASS, GOLD PLATING  
 FERRULE - BRASS, NICKEL PLATING

2. ELECTRICAL:  
 A. IMPEDANCE: 75 OHM  
 B. FREQUENCY RANGE: DC - 12 GHz  
 C. RETURN LOSS (VSWR): 20dB (1.22) DC-6 GHz  
 15dB (1.43) 6-12 GHz  
 D. DIELECTRIC WITHSTANDING VOLTAGE: 1500 VRMS, MIN.

3. MECHANICAL:  
 A. DURABILITY: 500 CYCLES MIN.  
 B. TEMPERATURE RANGE: -30°C TO +85°C

4. CRIMPED FERRULE  
 HEX. CRIMP SIZE .319"

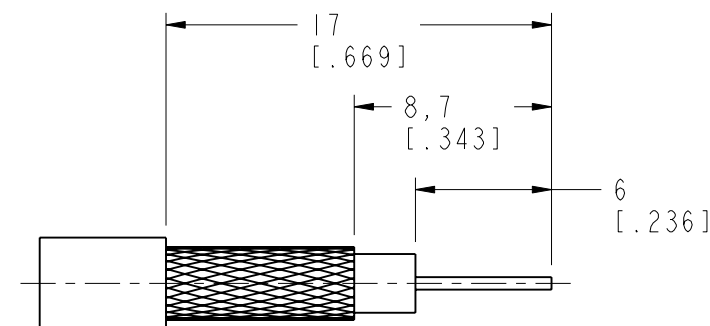
5. CRIMPED CONTACT PIN  
 SQ. CRIMP SIZE .042"

6 SHOWS CABLE ENTRY DIMENSIONS

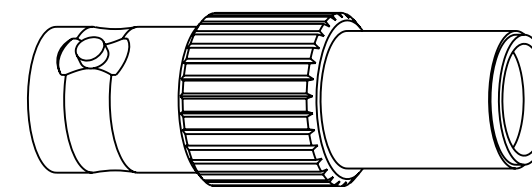
7. PACKAGING:  
 A. QUANTITY: SINGLE PACK  
 B. BAG TO BE MARKED: AMPHENOL RF  
 31-70547-12G  
 YYWW

THIRD ANGLE PROJ.

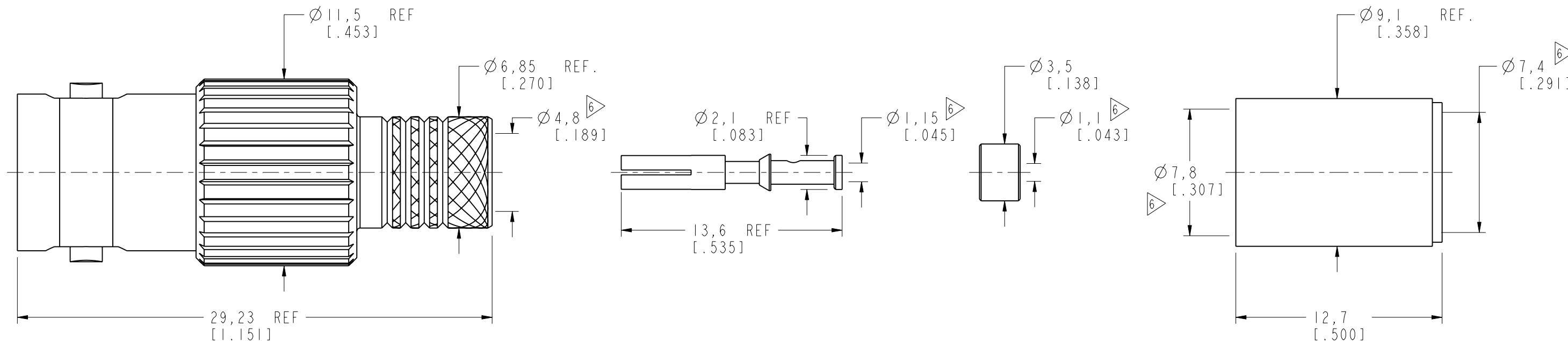
		REVISIONS			
REV	DESCRIPTION	DATE	ECN	APPR	
A	RELEASE TO MFG.	12-May-18	08066	SV	
B	CONTACT AND BODY WERE CHANGED.	28-Mar-19	11182	SV	



RECOMMENDED  
CABLE STRIPPING DIMENSIONS



SCALE 2.000



**CUSTOMER OUTLINE DRAWING**

ALL OTHER SHEETS ARE FOR INTERNAL USE ONLY

UNLESS OTHERWISE SPECIFIED, DIMENSIONS ARE IN METRIC AND TOLERANCES ARE: <0.5mm ±0.05mm    0.5 - 6mm ±0.1mm    6 - 30mm ±0.2mm    30 - 120mm ±0.3mm    ANGLES ±1°		MATERIAL SEE NOTES	DRAWN STAR	DATE 09-Apr-19	TITLE BNC CRIMP JACK FOR BELDEN 4694R CABLE		Amphenol RF www.amphenolrf.com	
NOTICE - These drawings, specifications, or other data (1) are, and remain the property of Amphenol corp. (2) must be returned upon request; and (3) are confidential and not to be disclosed to any person other than those to whom they are given by Amphenol Corp. the furnishing of these drawings, specifications, or other data by Amphenol Corp., or to any other person to anyone for any purpose is not to be regarded by implication or otherwise in any manner licensing, granting rights to permitting such holder or any other person to manufacture, use or sell any product, process or design, patented or otherwise, that may in any way be related to or disclosed by said drawings, specifications, or other data.		REFERENCE EAR# 8048	ENGINEER SUNDE	DATE 17-May-18	SCALE: 4.0:1.0 SHEET 2 OF 2		DRAWING NO. 31-70547-12G	
CONFIGURATION LEVEL: In Work		REF:	APPROVED S.HSIEH	DATE 09-Apr-19	DWG SIZE B	REV B	ITEM NO. 31-70547-12G	
FINISH			CAD FILE				PART NO. 31-70547-12G	