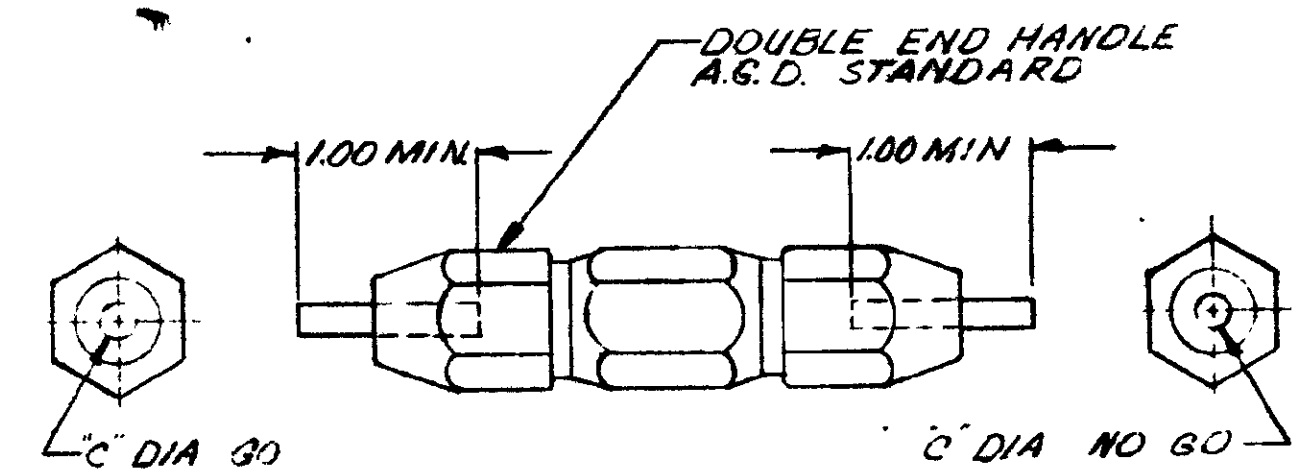
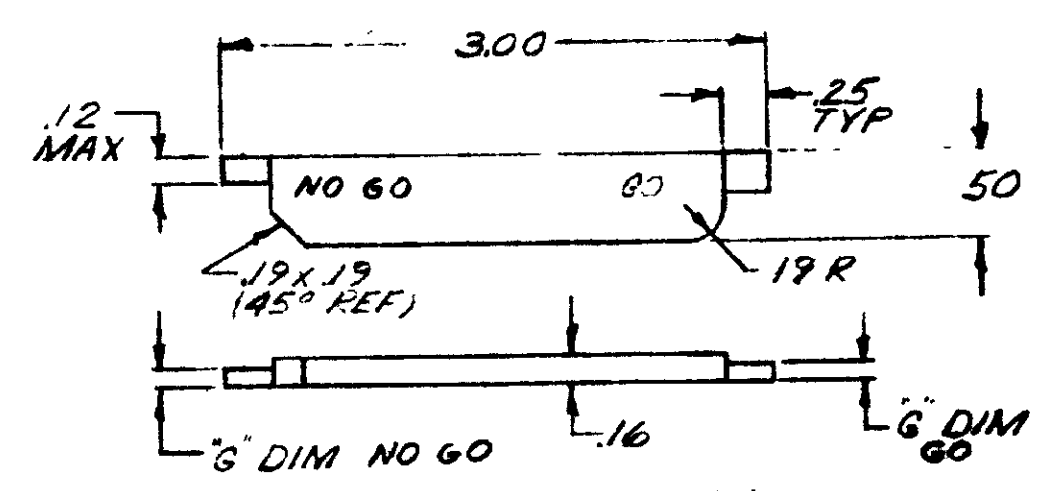


INSULATION CRIMP BARREL CRIMP
ENLARGED VIEW OF CRIMPS

"G" DIM AT POS. #1		"C" DIM	
GO	NO GO	GO	NO GO
.030	.050	.109	.115



SUGGESTED PLUG GAGE FOR "C" DIM BARREL CRIMP



SUGGESTED PLUG GAGE FOR "G" DIM INSULATION CRIMP

PLUG GAGE DIMENSIONS APPLY WHEN TOOL IS BOTTOMED BUT NOT UNDER PRESSURE.

SUPERSEDED BY IS-2423

QTY	NUMBER	NAME	REMARKS	ITEM NO.
1	307275-1	SADDLE		9
1	2-59577-9	SCREW (10-32UNF-3A X .470 LONG)		8
1	59781-6	SCREW-SPECIAL		7
1	1-59619-7	ANVIL-INSULATION		6
1	59623-6	ANVIL		5
2	1-21046-3	RING-RETAINING		4
1	59779-2	INDENTER		3
1	307285-1	INDENTER-INSULATION		2
1	59781-2	SCREW-SPECIAL		1

REVISION RECORD	ECN	DATE
BY IS-2423		11-26-69
REVISED		11-26-69



REQUIRED PER ASSEMBLY	©1969 BY AMP INCORPORATED ALL RIGHTS RESERVED AMP PRODUCTS COVERED BY PATENTS AND/OR PATENTS PENDING	CUSTOMER COPY REFERENCE ONLY
DESCRIPTION	E. Sanford 11-21-69 69872 11-26-69 11-26-69 DIE ASSEMBLY MOD B	AMP INCORPORATED HARRISBURG, PENN. USED ON 69875 WIRE - RANGE - INSULATION 22-16 + TYPE CONFINED CRIMP EN PIDG TOLERANCE EXCEPT AS NOTED ± .015 ± .10 SCALE 4:1 M/C 69872 REV 81