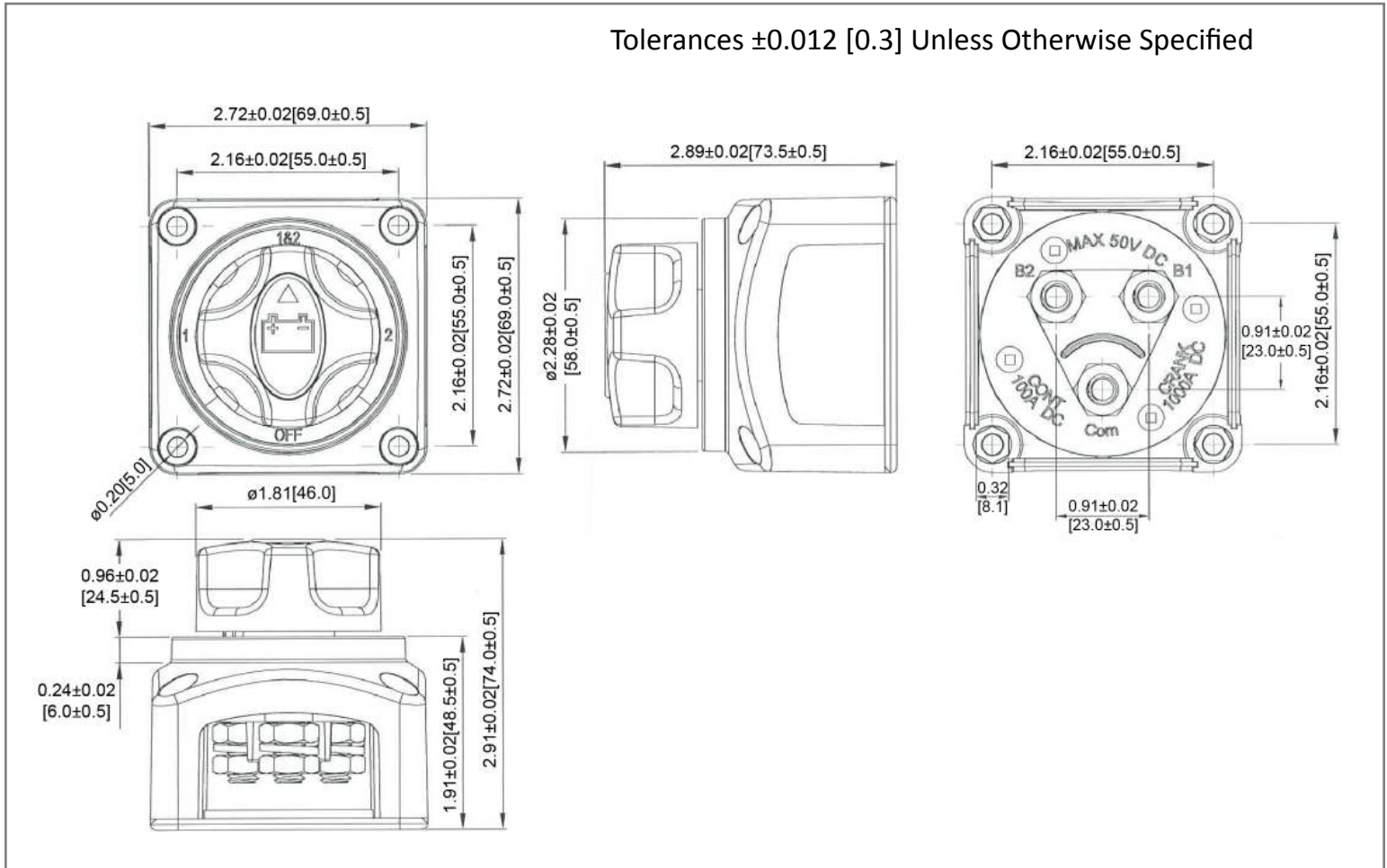


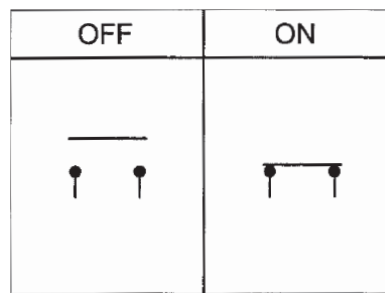
## Mechanical Dimensions: Inches [mm]

Tolerances  $\pm 0.012$  [0.3] Unless Otherwise Specified



## Circuit Diagram

OFF - BAT#1 - BOTH - BAT#2



## Electrical Specifications

<b>Continuous Rating</b>	100A 12-50V DC
<b>Intermittent Rating</b>	300A
<b>Cranking Rating</b>	1000A for 5secs
<b>Insulation Resistance</b>	DC 1000V 100M ohm Min.
<b>Operation Temperature</b>	-20°C ~ 80°C

## Material Specifications

	IP68 (operating surface)
<b>Housing</b>	PBT (UL94V-0)
<b>Bottom</b>	PBT (UL94V-0)
<b>Terminals / Contacts</b>	Copper Alloy
<b>Actuator</b>	PBT (UL94HB)

Rev	Date of issue	Revision Notes	Designed	Approved
A	12-14-2020	Initial Drawing	RC	OF