

# Customer Information Sheet

DRAWING No.: Z125-923

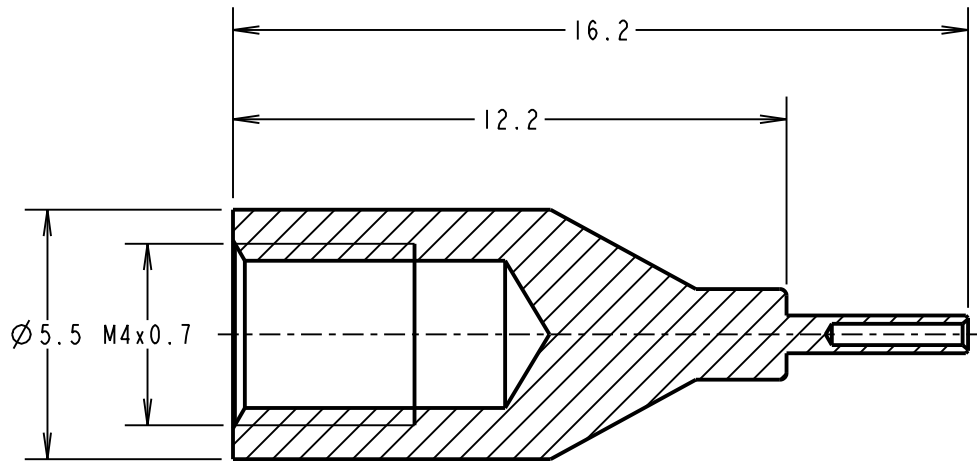
IF IN DOUBT - ASK

©

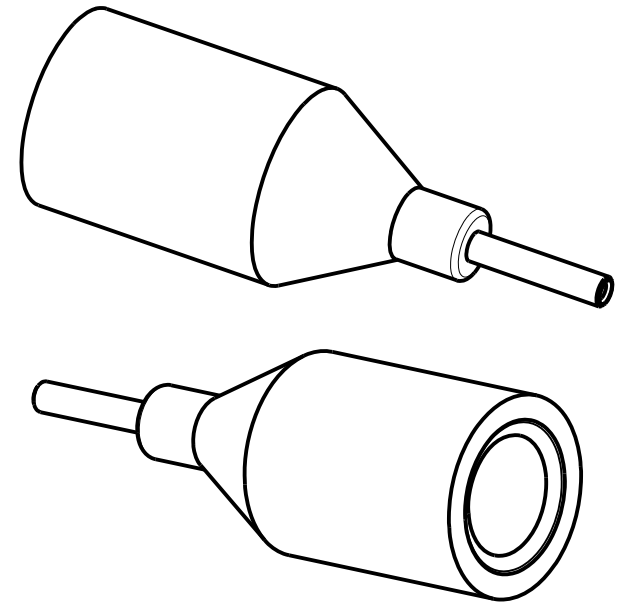
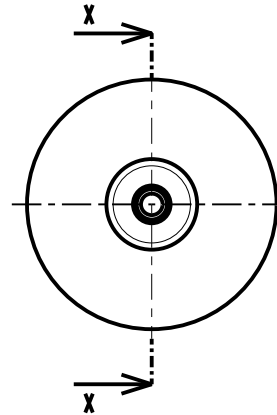
NOT TO SCALE

THIRD ANGLE PROJECTION

ALL DIMENSIONS IN mm



SECTION X-X



NOTES:

1. TIP IS SUITABLE FOR USE WITH INSERTION AND WITHDRAWAL TOOL Z125-902.
2. FOR USE WITH G125-1500005 MALE CRIMP CONTACTS.
3. SEE TOOLING INSTRUCTION SHEET IS-47 FOR INSERTION AND WITHDRAWAL INSTRUCTIONS.

RTP	2	14.01.21	30342
NAME	ISS.	DATE	CN/CO
APPROVED: R.PORTLOCK			
CHECKED: M.RUDKIN			
DRAWN: R.PORTLOCK			
CUSTOMER REF.:			
ASSEMBLY DRG:			

**HARWIN**

www.harwin.com  
technical@harwin.com

THIS DRAWING AND ANY INFORMATION OR DESCRIPTIVE MATTER SET OUT HEREON ARE CONFIDENTIAL AND COPYRIGHT PROPERTY OF THE HARWIN GROUP AND MUST NOT BE DISCLOSED, LOANED, COPIED OR USED FOR MANUFACTURING, TENDERING OR FOR ANY OTHER PURPOSE WITHOUT THEIR WRITTEN PERMISSION.

TOLERANCES  
X. = ±1mm  
X.X = ±0.50mm  
X.XX = ±0.20mm  
X.XXX = ±0.01mm  
ANGLES = ±5°  
UNLESS STATED

MATERIAL: STAINLESS STEEL  
FINISH: CLEAN  
S/AREA: mm<sup>2</sup>

TITLE: REMOVAL TIP FOR MALE G125 CRIMP CONTACTS

DRAWING NUMBER: Z125-923

SHT 2 OF 2