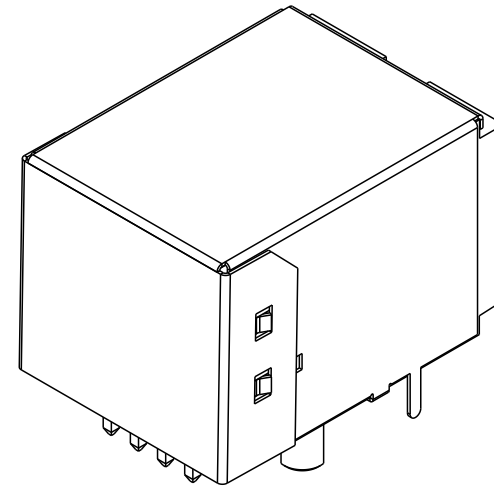
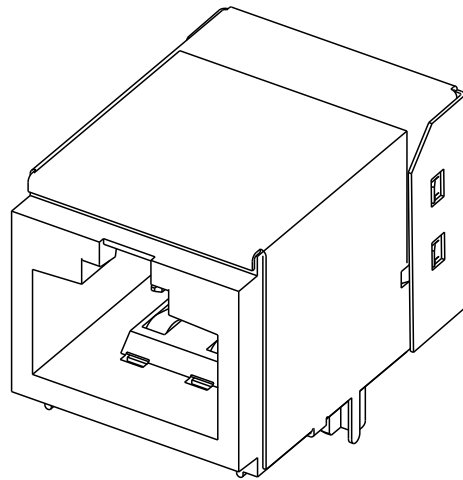


PRODUCT NUMBER  
74355



Copyright FCI.

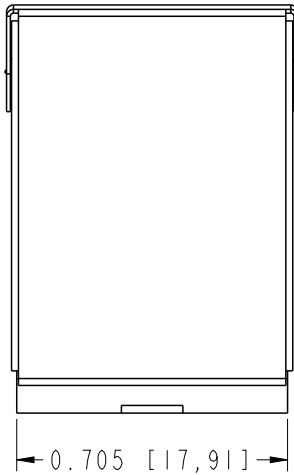
spec ref		-		dr	Keen Wu	2010/11/05	projection 	INCH / MM 	size	A4	scale	2:1				
tolerance std		TOLERANCES UNLESS OTHERWISE SPECIFIED		eng	Henry Guo	2014/03/24			ecn no	ELX-N-17279-1						
ISO1101 ISO406				chr	-	-			rel level	Released						
surface		linear	0.X	±.01/0.25	FCI 	title	2X4 LNL SHIELDED HEADER ASSEMBLY		dwg no	74355		rev	S			
ISO1302			0.XX	±.005/0.13								www.fci.com	cat. no.	-	Product - Customer Drw	sheet 1 of 5
			0.XXX	±.0020/0.05												
		angular	0°	±2°												

Pro/E File - REV C - 2009-06-09

PRODUCT NUMBER  
74355

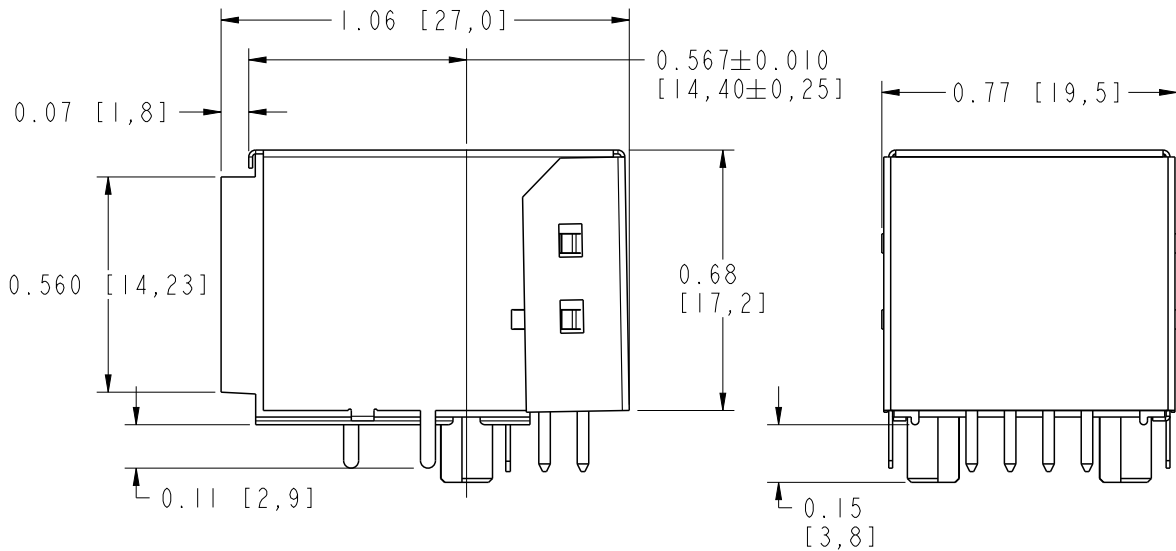
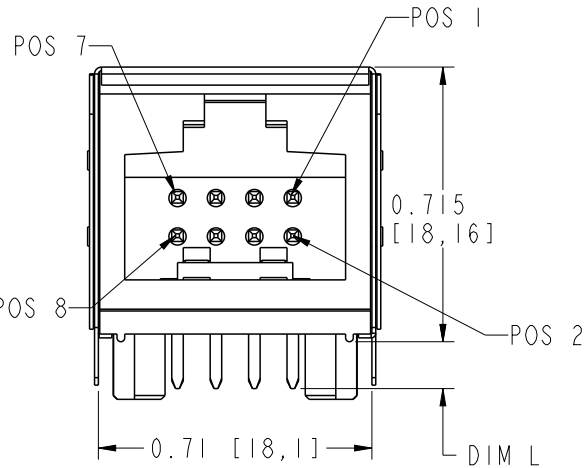
A

B



A

B



C

D

dr	Keen Wu	2010/11/05	projection 	INCH/MM 	size	A4	scale	2:1	
eng	Henry Guo	2014/03/24			ecn no	ELX-N-17279-1			
chr	-	-			rel level	Released			
appr	Rick Bian	2014/03/24	product family	-	rev	74355			
		title			2X4 LNL SHIELDED HEADER ASSEMBLY		rev		S
www.fci.com		cat. no.	-	Product - Customer Drw			sheet 2 of 5		

PrdE File - REV C - 2009-06-09

2

3

PDS: Rev :S

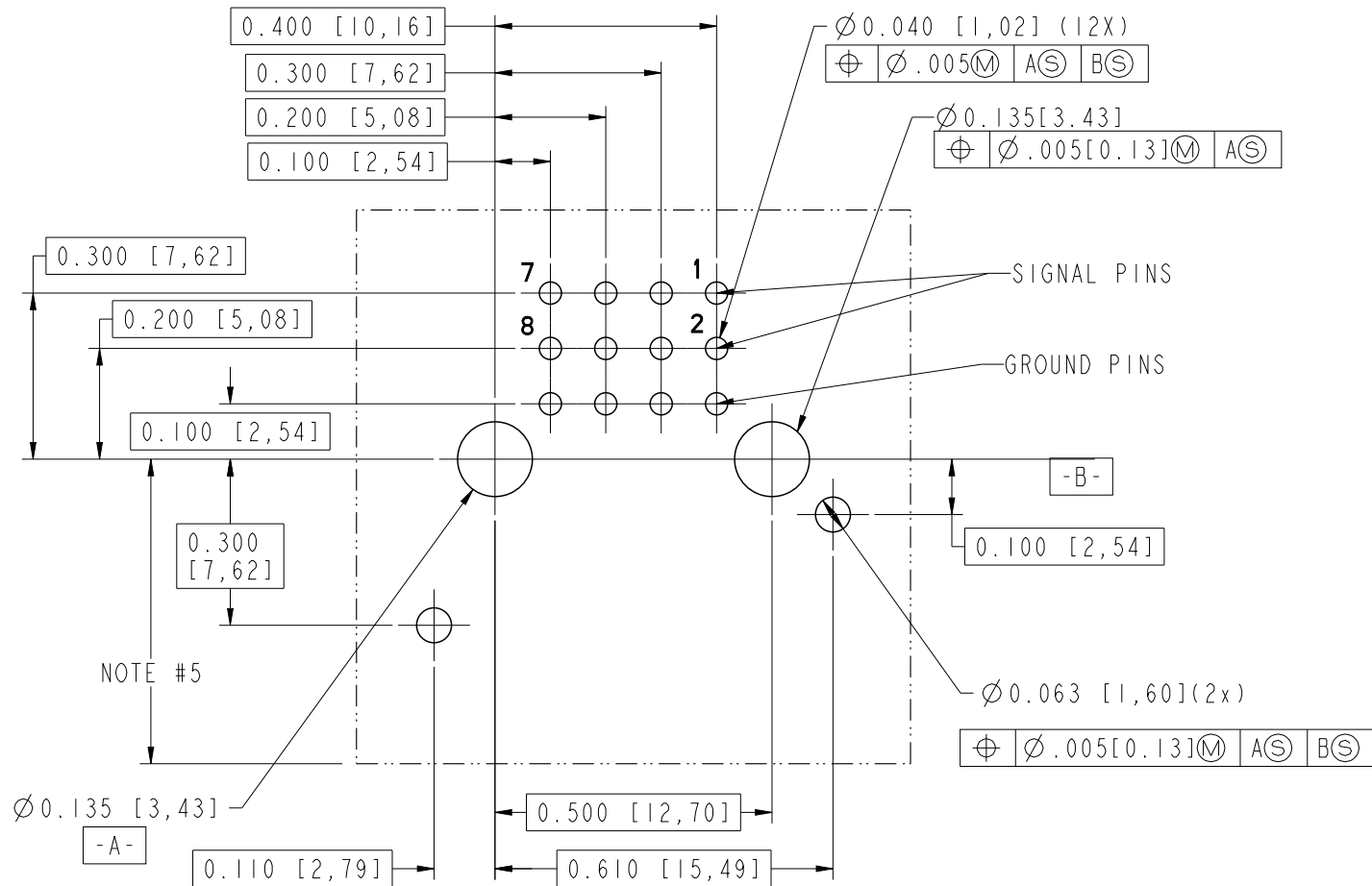
STATUS:Released

Printed: Apr 01, 2014



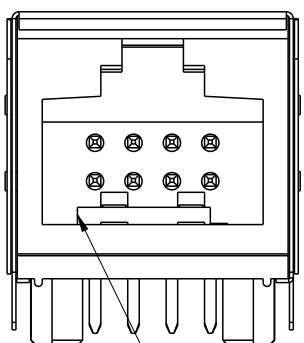
Copyright FCI.

# COMPONENT SIDE

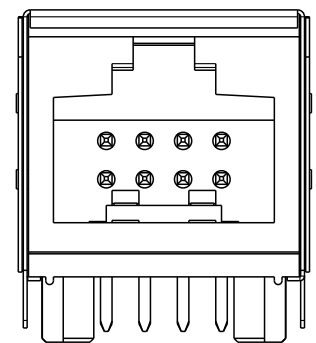


Copyright FCI.

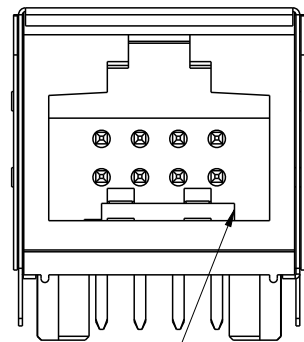
dr	Keen Wu	2010/11/05	projection 	INCH/MM 	size	A4	scale	2:1
eng	Henry Guo	2014/03/24			ecn no	ELX-N-17279-1		
chr	-	-			rel level	Released		
appr	Rick Bian	2014/03/24	product family	-		rev	S	
www.fci.com		title	2X4 LNL SHIELDED HEADER ASSEMBLY		dwg no	74355		sheet 3 of 5
cat. no.		-		Product - Customer Drw		-		



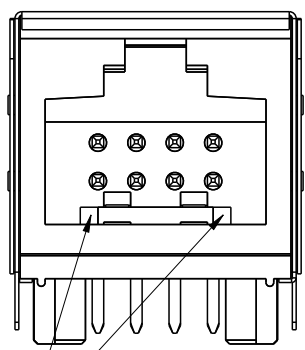
KEY POSITION 1  
SCALE 2:1



NO KEY  
SCALE 2:1



KEY POSITION 2  
SCALE 2:1



KEY POSITION 3



Copyright FCI.

dr	Keen Wu	2010/11/05	projection 	INCH / MM 	size	A4	scale	2:1			
eng	Henry Guo	2014/03/24			ecn no	ELX-N-17279-1					
chr	-	-			rel level	Released					
appr	Rick Bian	2014/03/24	product family		-						
		title			2X4 LNL SHIELDED HEADER ASSEMBLY		dwg no		74355	rev	S
www.fci.com		cat. no.		-			Product - Customer Drw		sheet 4 of 5		

74355-XYZLF

LEAD FREE OPTION (NOTES 9 & 10)

KEY POSITION (NOTE 7)

- STD NO KEY	(NOTE 8)
1-KEY POSITION 1	(NOTE 7)
2-KEY POSITION 2	(NOTE 7)
3-KEY POSITION 3	(NOTE 7)

COLOR

01 LIGHT GRAY	OBS.
02 OFF WHITE	
03 DARK GRAY	OBS.
04 BLACK	
05 SLATE GRAY	OBS.
07 SILVER GRAY	
08 PEARL WHITE	OBS.
09 PEBBLE GRAY	

PIN LENGTH LEY (DIM L)

0	.200/5.08
1	.130/3.30

NOTES:

- HEADER SHROUD  
MAT'L: HIGH TEMPERATURE THERMOPLASTIC  
UL-94V-0 RATED.
- GROUND CONTACT  
MAT'L: COPPER ALLOY  
PLATING: 100-160 MICRO"/2.54-4.06 MICRON Sn.
- SIGNAL CONTACT  
MAT'L: COPPER ALLOY  
PLATING: PERFORMANCE PLATING WILL BE EITHER GOLD OR GXT  
ON CONTACT AREA OR TAIL, OPTIONALLY (78-295u") TIN ON TAIL.
- HEADER SHIELD  
MAT'L: COPPER ALLOY  
PLATING: 100 MICRO"/2.54 MICRON BRIGHT  
TIN OVER 50 MICRO"/1.27 MICRON NICKEL
- LOCATION DIMENSION FROM EDGE OF PCB  
TO BE DETERMINED BY CUSTOMER.
- THIS ASSEMBLY IS UL RECOGNIZED PER FILE  
E66906, VOL. 1, SECT 40 AND CSA  
APPROVED PER MASTER FILE NO. LR 46923-162
- MUST USE PLUG OF THE SAME KEY.  
KEYED PLUGS WILL MATE WITH STANDARD HEADER.
- OMIT 4th DIGIT FOR STD NO KEY PRODUCT
- ADD LF SUFFIX AT THE END OF PART NUMBER FOR LEAD FREE OPTION  
AND THE HOUSING WILL WITHSTAND EXPOSURE TO 260°C PEAK TEMPERATURE  
FOR 15 SECONDS IN A WAVE SOLDER APPLICATION WITH A 1.5MM  
MINIMUM THICK CIRCUIT BOARD.
- THIS PRODUCT MEETS EUROPEAN UNION DIRECTIVES AND OTHER  
COUNTRY REGULATION AS DESCRIBED IN GS-22-008.
- PRODUCT SPEC: gs-12-003
- PART NUMBER WITH SUFFIX "A" IS CUSTOM TO INTENDED FOR FMLB  
EXAMPLE: 74355-1041ALF



Copyright FCI.

dr	Keen Wu	2010/11/05	projection 	INCH/MM 	size	A4	scale	2:1
eng	Henry Guo	2014/03/24			ecn no	ELX-N-17279-1		
chr	-	-			rel level	Released		
appr	Rick Bian	2014/03/24	product family	-	rev	74355		S
		title	2X4 LNL SHIELDED HEADER ASSEMBLY		cat. no.	-	Product - Customer Drw	sheet 5 of 5