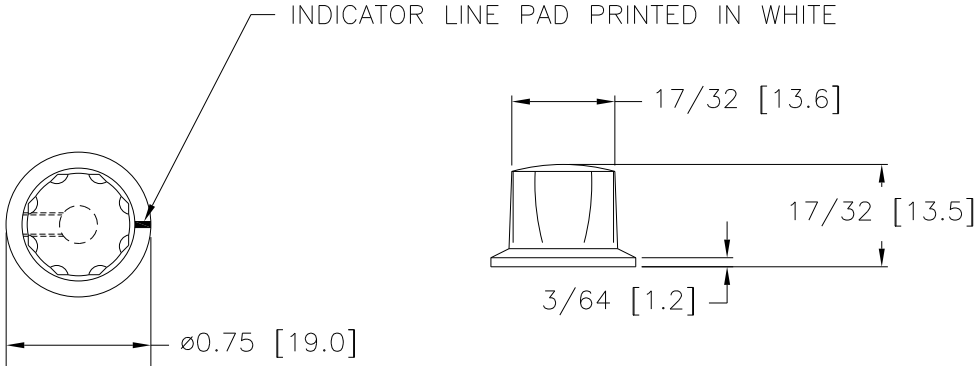


PART NAME: KNOB SCALE: 1:1 DATE: 12/22/14 DR. BY JAM

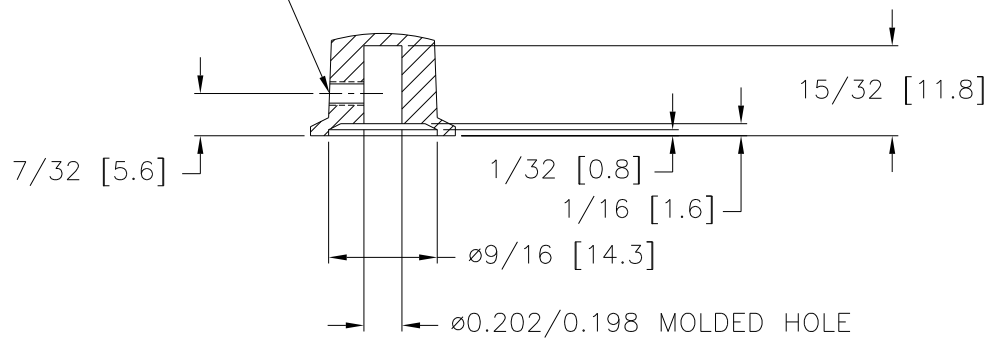
THIS DRAWING IS THE PROPERTY OF DAVIES MOLDING COMPANY, IS SUBMITTED SOLELY AS A DESIGN OR ENGINEERING PROJECT. WE ACCEPT NO RESPONSIBILITY WHATSOEVER FOR THE PRACTICAL APPLICATION OF THE PIECES MADE TO THIS DESIGN.

DAVIES MOLDING COMPANY
CAROL STREAM, ILLINOIS 60188

P/N 1910EY
BASE PART 1910-12
SET SCREW I2486



USE #40 DRILL($\phi 0.098$), M3X0.5 TAP, M3X0.5X5MM[0.197] SOCKET, CUP POINT, SET SCREW, I2486



MATERIAL: G.P. PHENOLIC (B11)
COLOR: BLACK

TOLERANCES: UNLESS OTHERWISE SPECIFIED	DO NOT SCALE DRAWING				
DECIMALS: X.XXX \pm .005 X.XX \pm .015	MM: X.XX \pm 0.15MM X.X \pm 0.4MM	-	WAS SK1910-33	JAM	12/22/14
FRACTIONS \pm 1/64	ANG. \pm 1°	CHANGES			